

3 SEATER										
		LOWER LEG C-305				HIGHER LEG B-325				
NAME	A	B	C	D	E	B	C	D	E	F
SAF43_118	1180	240	305	475	1065	260	325	495	1065	296
SAF43_120	1200									296
SAF43_126	1260									336
SAF43_150	1500									456



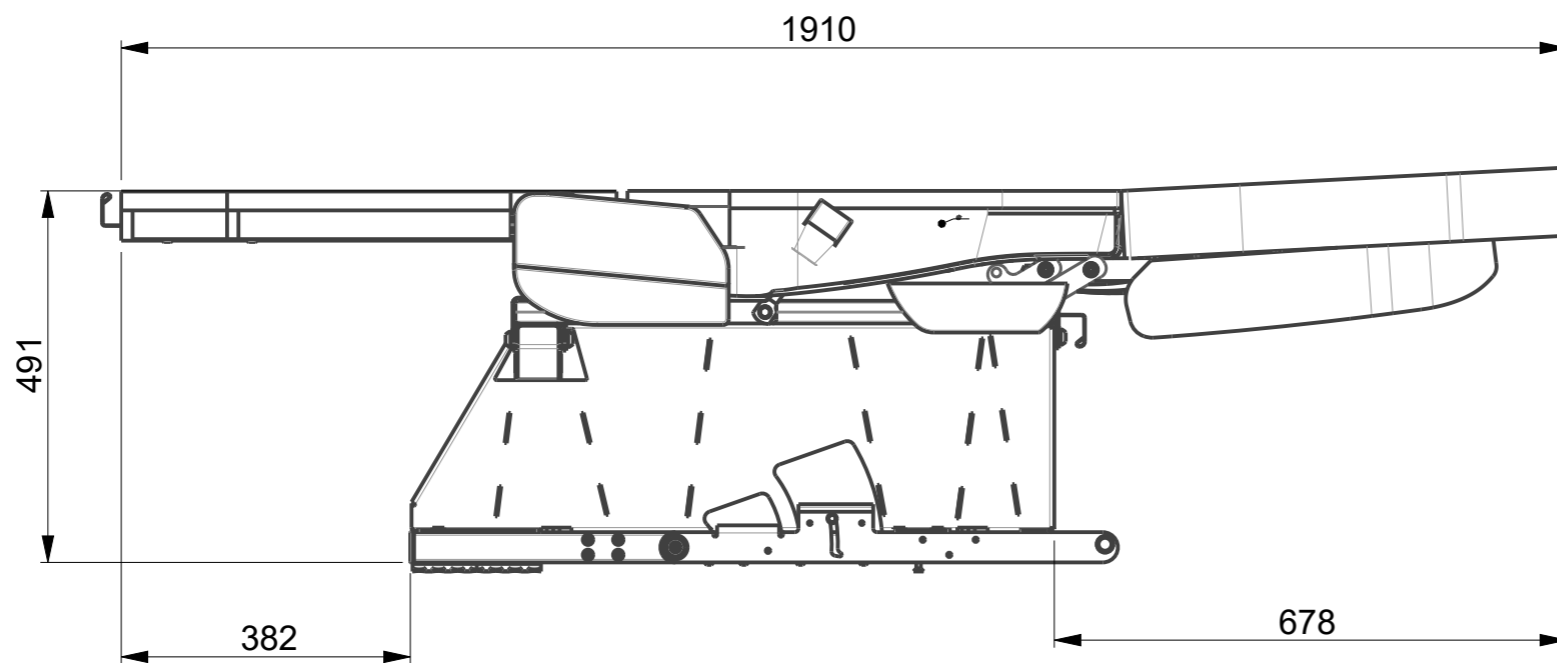
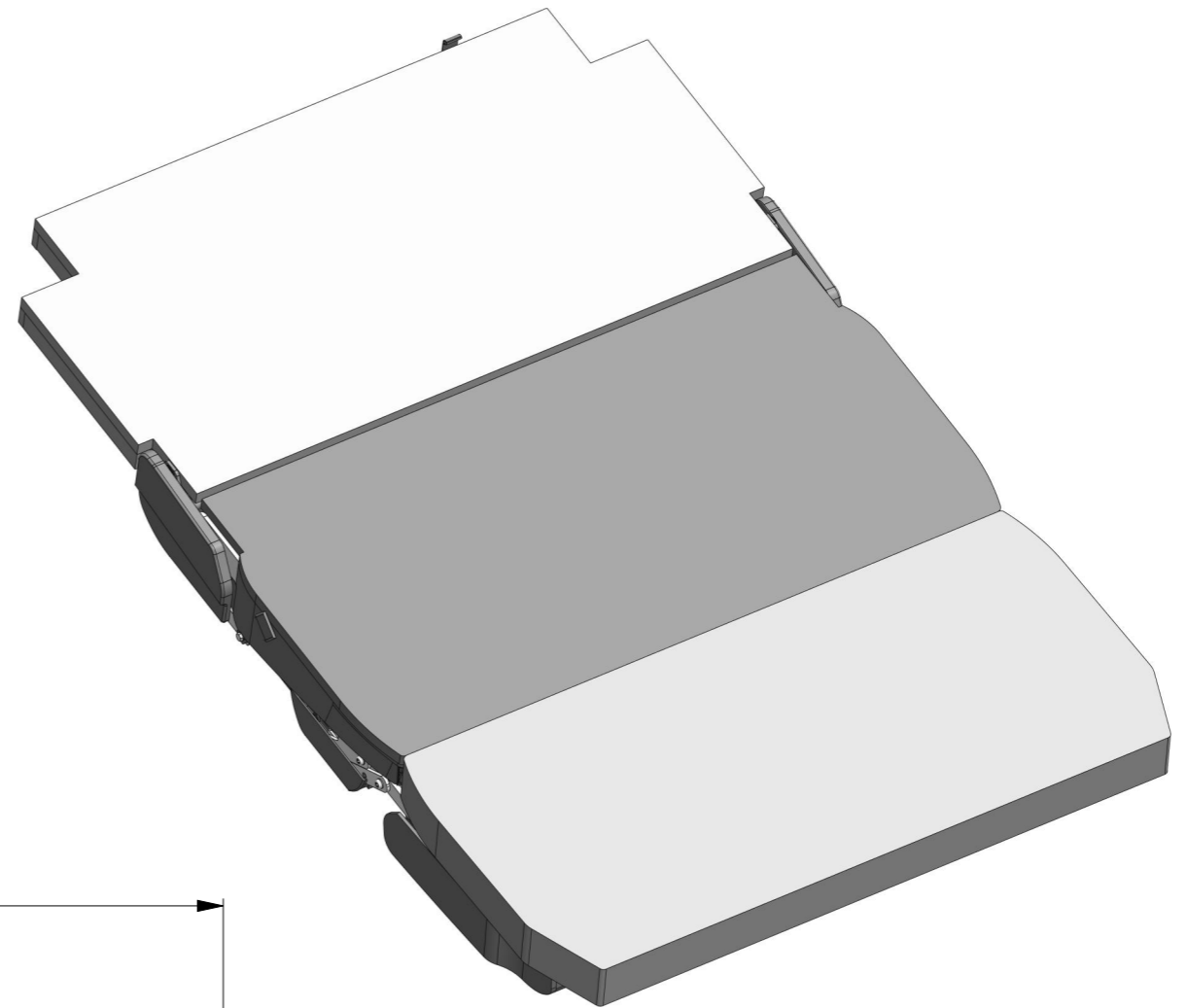
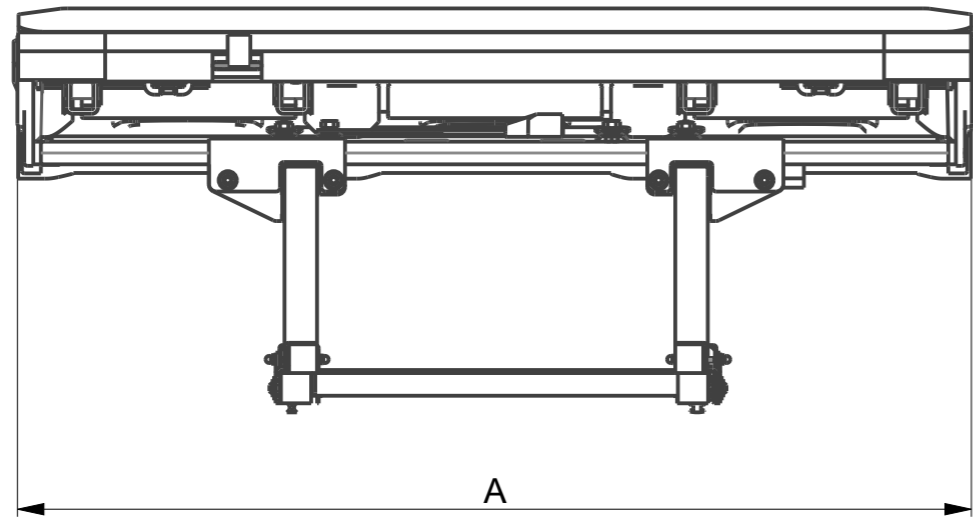
**MOBIFRAME**

SAF43 SLIM

Sheet 1/2

A

02-Feb-17



<b>MOBIFRAME</b>	SAF43 SLIM	Date
		Sheet 2/2

B	02-Feb-17
---	-----------