

2 SEATER										
		LOWER LEG C-305				HIGHER LEG B-325				
NAME	A	B	C	D	E	B	C	D	E	F
SAF42_97	970	240	305	475	1065	260	325	495	1065	191
SAF42_100	1000									206
SAF42_112	1120									266



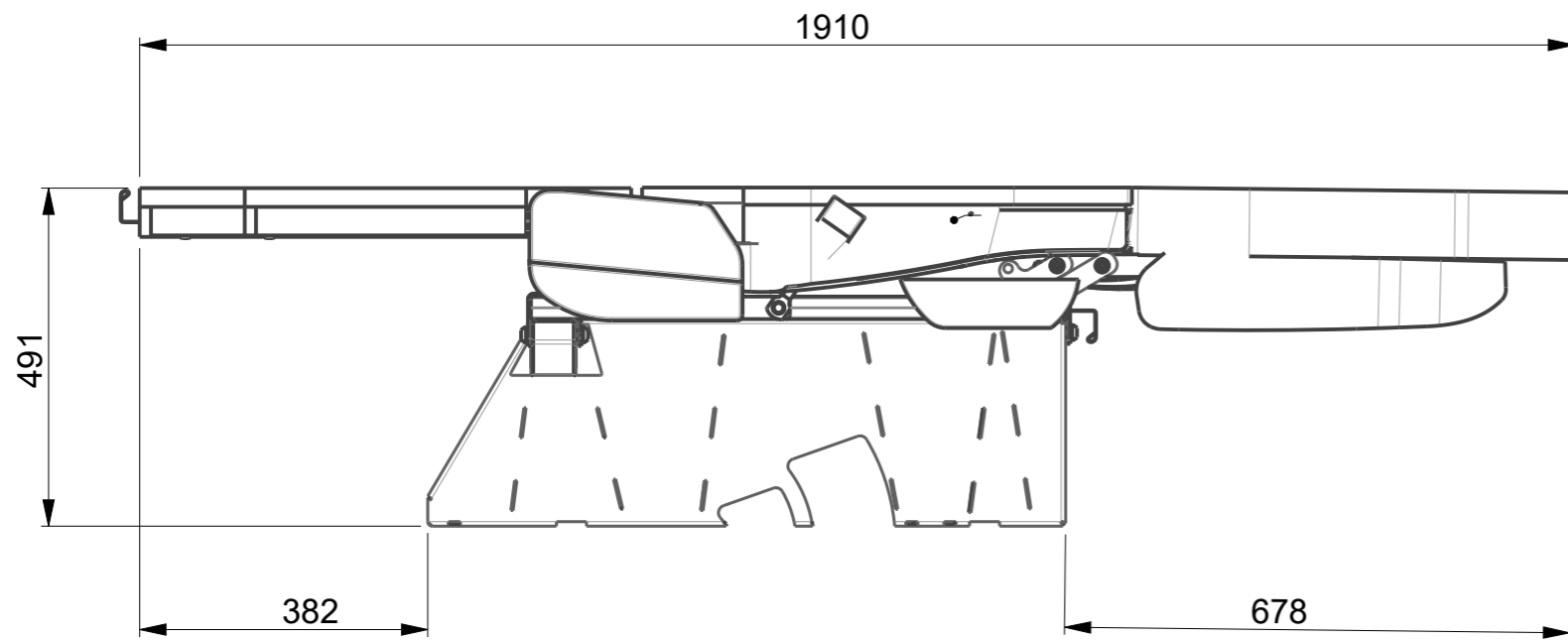
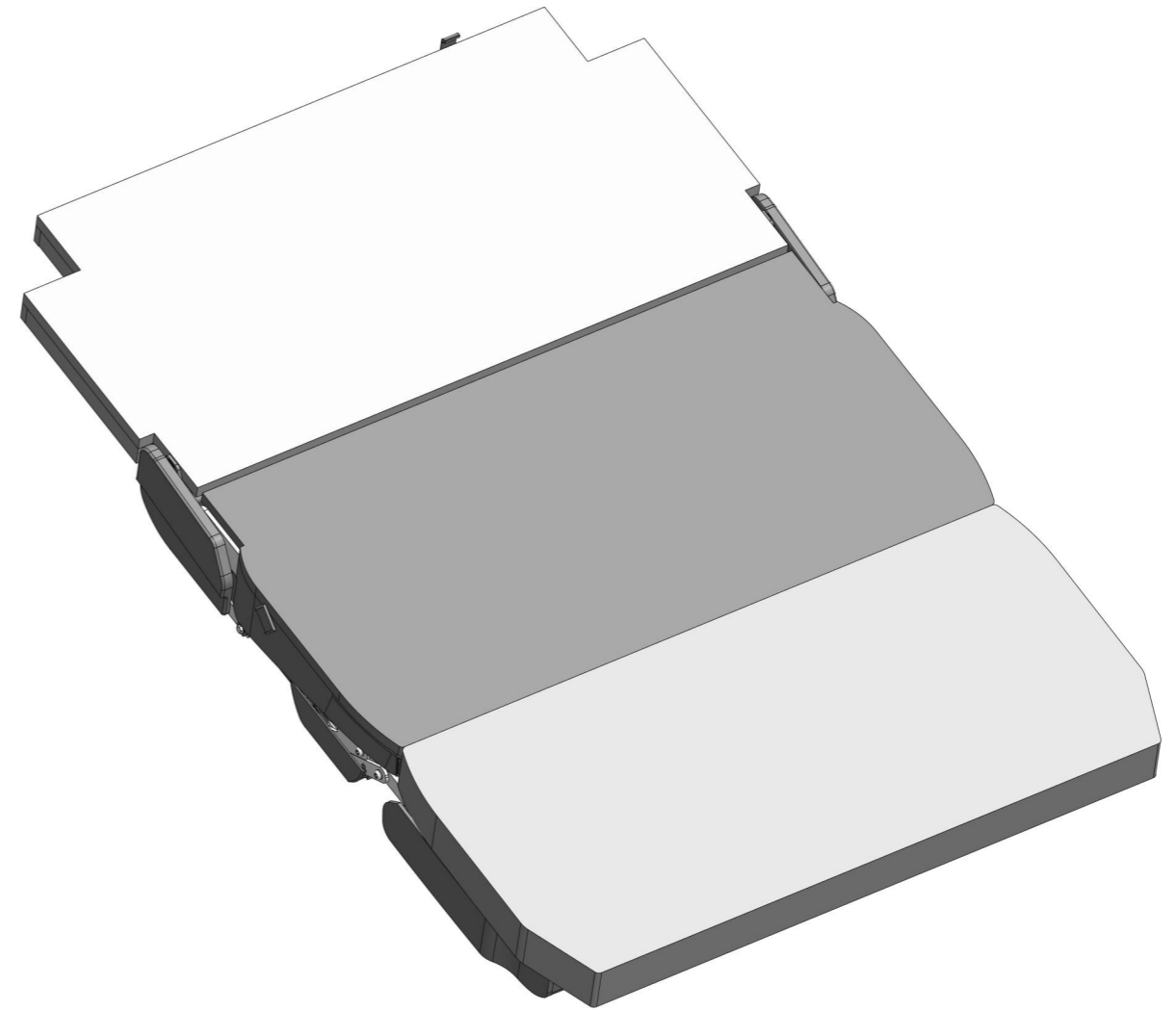
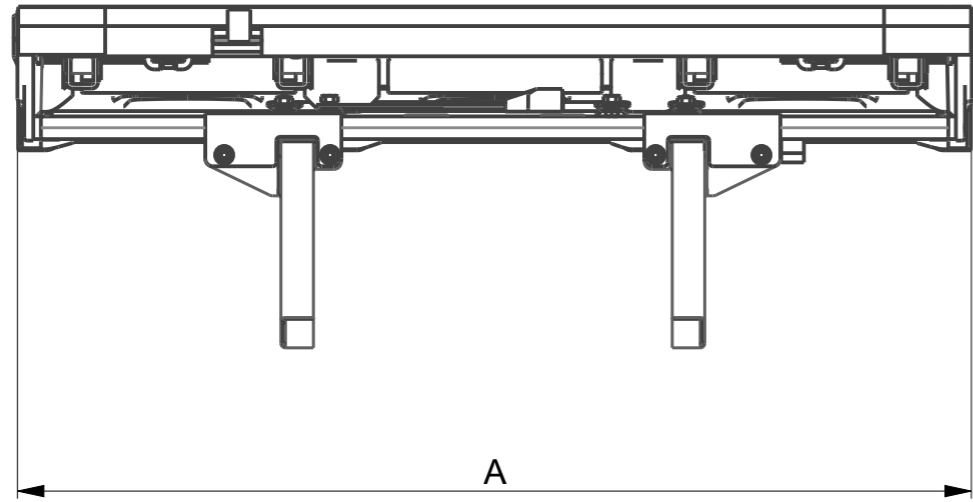
**MOBIFRAME**

SAF42 SLIM

Order name

Sheet 1/2

02-Feb-17



	SAF42 SLIM	Date
		Sheet 2/2
	B	02-Feb-17