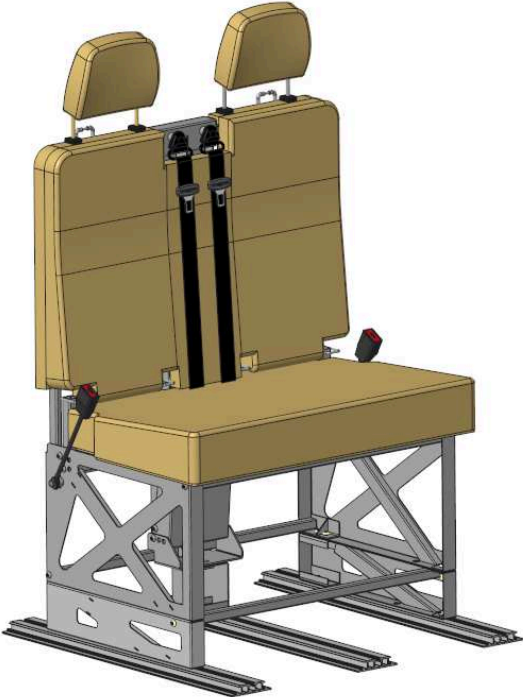
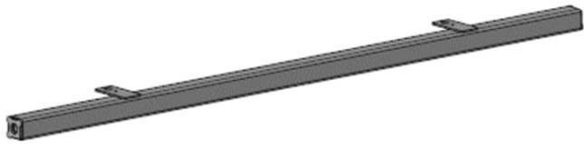
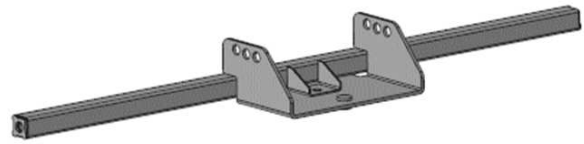
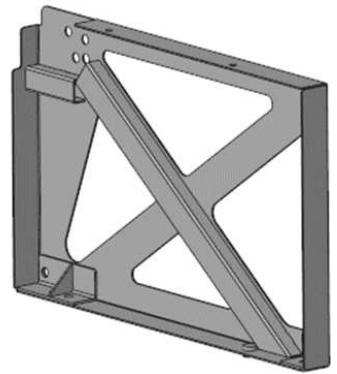
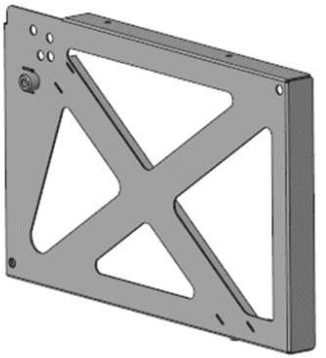
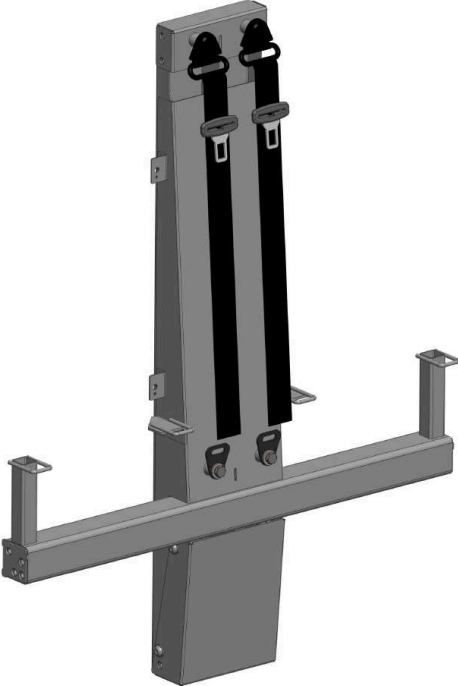

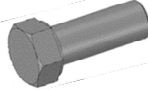
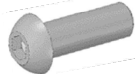






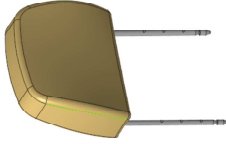

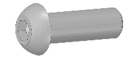


PARTS LIST
OKBeeSAFE04T + Adaptor


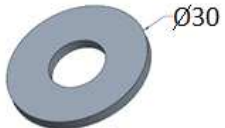

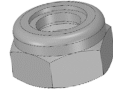


MAIN FRAME			
No	Part name	No. of pieces	View
1	Front bracket	1	
2	Lower bracket	1	
3	Left leg	1	
4	Right leg	1	

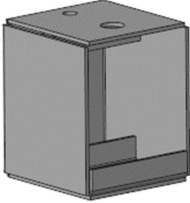
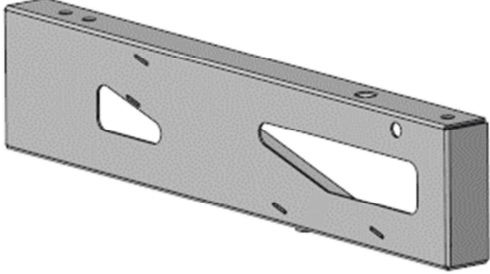
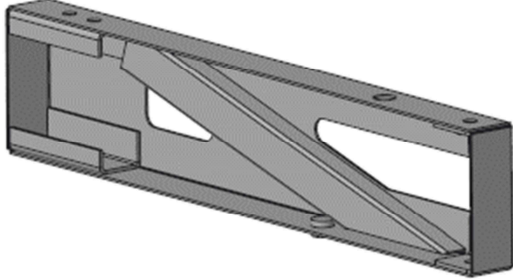
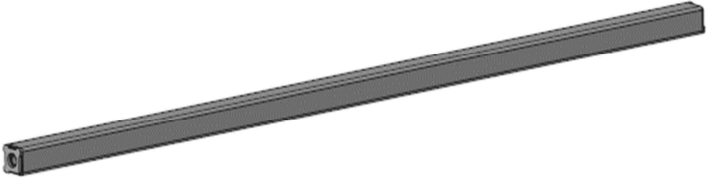
MAIN FRAME

5	Pillar	1	
6	Buckle	2	
7	Bolt 7/16"-20UNFx28	2	
8	Bolt M10x20 DIN7380 10.9	10	
9	Washer M10 DIN125	10	
10	Washer M12 DIN125	2	

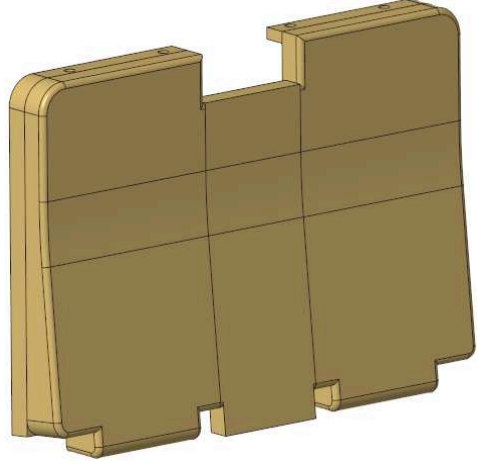
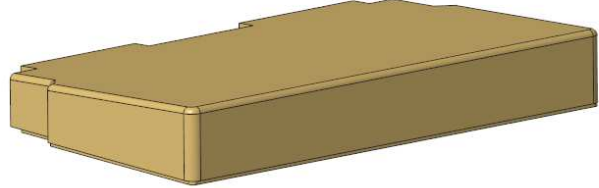
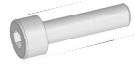

HEADREST SET			
No	Part name	No. of pieces	View
11	Left profile	1	
12	Right profile	1	
13	Headrest	2	
14	Headrest bushing	4	
15	Bolt M8x25 DIN7380 8.8	4	
16	Washer M8 DIN125	4	
17	Bolt M8x25 DIN7991 8.8	8	

HEIGHT HADAPTOR 120 mm			
38	Bolt M10x35 DIN7380 10.9	9	
39	Washer M10 DIN9021	14	
40	WasherM10 DIN125	2	
41	Nut M10 DIN982	7	

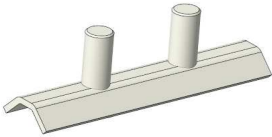
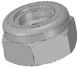

HEIGHT ADAPTOR 120 mm

No	Name	No. of pieces	View
34	Box	1	
35	Left adaptor	1	
36	Right adaptor	1	
37	Adaptor bracket	1	



SEAT AND BACKREST CUSHIONS

No	Part name	No. of pieces	View
18	Backrest cushion	1	
19	Seat cushion	1	
20	Bolt M5x25 DIN912	16	
21	Screw	16	
22	Washer M5 DIN9021	16	

VEHICLE INSTALATION KIT

No	Part name	No. of pieces	View
23	Aluminium rail	3	
24	WZP-01	6	
25	Single v-bolt	2	
26	Double v-bolt	3	
27	Nut M8 DIN985	8	
28	Washer M8 DIN9021	8	
29	Plate 60x20x8	3	
30	Bolt M10x45 DIN912 8.8	6	

GLUE SET

No	Part name	No. of pieces	View
31	Glue 600 ml	1	
32	Cleaner 125 ml	1	
33	Primer 250 ml	1	