

INFORMATION FOLDER / DOCUMENT:
MOBIFRAME/04/2022-00

PURSUANT TO UN/ECE REGULATIONS

No. 14-09

“UNIFORM PROVISIONS CONCERNING THE APPROVAL
OF VEHICLES WITH REGARD TO SAFETY-BELT
ANCHORAGES“
(as last amended)

and

No. 145-00

“UNIFORM PROVISIONS CONCERNING THE APPROVAL OF
VEHICLES WITH REGARD TO ISOFIX ANCHORAGE SYSTEMS
ISOFIX TOP TETHER ANCHORAGES AND I-SIZE SEATING
POSITIONS“
(as last amended)

FOR THE SEAT *MOBIFRAME*
TYPE *RAM02* and *RAM03*



.....
Damian Goliński
Vice President

Total number of pages: 109

Date of issue: 16.09.2022



MOBIFRAME

MOBIFRAME/04/2022-00

Date: 16.09.2022

Page / pages: 1/109

List of documentation and supplements

Confirmation	3
0. General.....	4
1. General construction characteristics of the vehicle	4
9. Bodywork.....	4

List of enclosures

Table of vehicles types	Enclosure 1
Methods of seats fixation to the vehicle	Enclosure 2
Drawings of seats and components	Enclosure 3
Adhesives for Fixation Plate	Enclosure 4

Dieser Prüfbericht kann nur mit Kaufnachweis von Freizet WITTIKE GmbH (Komponenten aus diesem Prüfbericht)
 zu Fahrzeugabnahme oder Genehmigungszwecken verwendet werden.
 This report is allowed to be used for vehicle inspection or registration purposes only with proof of purchase
 (of components associated with this report) from Freizet WITTIKE GmbH.



Confirmation

We hereby declare that the vehicle specimens submitted for this approval test have been manufactured and assembled on conditions of ordinary mass production and that they are compatible with the enclosed documentation.

Date of issue: 16th September 2022

J. Goliński

.....
Damian Goliński
Vice President

Dieser Prüfbericht kann nur mit Kaufnachweis von Freizet WITTIKE GmbH (Komponenten aus diesem Prüfbericht) zu Fahrzeugabnahme oder Genehmigungszwecken verwendet werden.
This report is allowed to be used for vehicle inspection or registration purposes only with proof of purchase (of components associated with this report) from Freizet WITTIKE GmbH.



MOBIFRAME		Date: 16.09.2022
	MOBIFRAME/04/2022-00	Page / pages: 3/109

0.	GENERAL	
0.1	Make (trade name of manufacturer):	MOBIFRAME
0.2	Type:	RAM02, RAM03
0.2.1	Commercial name(s) (if available):	RAM02, RAM03
0.2.2	Dedicated for vehicle(s):	See Enclosure 1
0.3	Means of identification of type:	N/A
0.3.1	Location of that marking:	N/A
0.4	Category of vehicle:	M1, N1, M2, N2
0.5	Name and address of manufacturer:	OKB SP. Z O.O. ul. Szkolna 9 95-006 Bukowiec Poland

1. GENERAL CONSTRUCTION CHARACTERISTICS OF THE VEHICLE

1.1	Photographs and/or drawings of a representative vehicle:	See Enclosure 1
-----	--	-----------------

9. BODYWORK

9.1	Type of bodywork using the codes set out in Part C of Annex II of Directive 2007/46/EC or in Part C of Annex I to Regulation (EU) 2018/858:	AC, AF, BB, CA, SA, SH
-----	---	------------------------

9.10 Interior arrangement

9.10.3 Seats

9.10.3.1	Number of seating positions:	2
----------	------------------------------	---

9.10.3.1.1	Location and arrangement:	In case of fixation by means of Fixation Plate - any position in the vehicle behind pillar B (see Enclosure 2) In case of fixation by means of dedicated underfloor reinforcements – pre-defined position (see Enclosure 2)
------------	---------------------------	--

9.10.3.2	Seat(s) designated for use only when the vehicle is stationary:	N/A
----------	---	-----

Diese Prüfbericht kann nur für Kaufentscheidungen oder zur Festlegung von Verantwortlichkeiten im Zusammenhang mit der Zulassung von Fahrzeugen verwendet werden.
 This report is allowed to be used for vehicle inspection or registration purposes only with proof of purchase (of components associated with this report) from Freizeit WITTIKE GmbH.



9.10.3.3	Mass:	RAM02 – 62 kg – mass of the heaviest configuration RAM02 is double seat frame with two single seats S1NOV01 RAM03 – 62 kg – mass of the heaviest configuration RAM03 is double seat frame with two single seats S1NGR03
9.10.3.4	Characteristics: for seats not type-approved as components, description and drawings of	
9.10.3.4.1	The seats and their anchorages:	See Enclosure 2, Enclosure 3
9.10.3.4.2	The adjustment system:	See Enclosures
9.10.3.4.3	The displacement and locking systems:	See Enclosures
9.10.3.4.4	The seat-belt anchorages (if incorporated in the seat structure):	see Enclosure 3
9.10.3.4.5	The parts of the vehicle used as anchorages:	See Enclosure 2
9.10.3.5	Coordinates or drawing of the R-point	
9.10.3.5.1	Driver's seat:	N/A
9.10.3.5.2	All other seating positions:	See Enclosure 3
9.10.3.6	Design torso angle	
9.10.3.6.1	Driver's seat:	N/A
9.10.3.6.2	All other seating positions:	See Enclosures
9.10.3.7	Range of seat adjustment	
9.10.3.7.1	Driver's seat:	N/A
9.10.3.7.2	All other seating positions:	See Enclosures
9.10.4.	Head restraints	
9.10.4.1.	Type(s) of head restraints:	integrated
9.10.4.2.	Type-approval number(s), if available:	N/A
9.10.4.3.	For head restraints not yet approved	N/A
9.13	Safety belt anchorages	
9.13.1	Photographs and/or drawings of the bodywork showing the position and dimensions of the actual and effective anchorages including the R-points:	See Enclosures
9.13.2	Drawings of the belt anchorages and parts of the vehicle structure where they are attached (with the material indication):	See Enclosures



9.13.3 Designation of the types of safety belt authorised for fitting to the anchorages with which the vehicle is equipped:

	Anchorage location	
	Vehicle structure	Seat structure
First row of seats	N/A	N/A

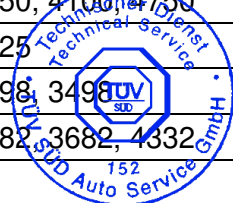
Other rows of seats			Anchorage location	
			Vehicle structure	Seat structure
Left-hand seat	Lower anchorages	outboard	--	Ar
		inboard	--	Ar
	Upper anchorages		--	Ar
Right-hand seat	Lower anchorages	outboard	--	Ar
		inboard	--	Ar
	Upper anchorages		--	Ar

- 9.13.4 Description of a particular type of safety belt where an anchorage is located in the seat backrest or incorporates an energy dissipating device: Ar4m
- 9.13.5 Drawings and/or photographs of the ISOFIX anchorages systems, of the top tether anchorages if any, and of the vehicle structure: ISOFIX is optional for bodywork types: BB, CA, SA, SH
- 9.13.5.1 Number:
- 9.13.5.1.1 Of the low ISOFIX anchorages: See Enclosure 3
- 9.13.5.1.2 Of the ISOFIX top tether anchorages: See Enclosure 3
- 9.13.5.1.3 Of the integrated "built in" child restraint system(s) of mass groups 0, or 0+, or 1: N/A
- 9.13.5.2 Convertible vehicle, as defined in annex 7, paragraph 8.1 of the Consolidated Resolution on the Construction of Vehicles (R.E.3): N/A
- 9.13.5.3 Photographs and/or drawings of the bodywork showing the position and dimensions of the anchorages: See Enclosure 2 and 3
- 9.13.5.4 Drawing and/or photographs of the ISOFIX anchorages systems, of the ISOFIX top tether anchorages: See Enclosure 3
- 9.13.5.5 Drawing and/or photographs of the position and the form of the symbols of the ISOFIX anchorages system, if necessary: See Enclosures



Enclosure 1: TABLE OF VEHICLES TYPES

Manufacturer	Commercial description / Type	Wheelbase
Daimler / Mercedes-Benz	Sprinter, e-Sprinter (906, 907)	3250, 3665, 4325
	Sprinter (910)	3259, 3924
	Vito/Viano/V-klasse, e-Vito (639, 639/2, 639/4)	3200, 3430
VW	Crafter (2E__)	3250, 3665, 4325
	Crafter, e-Crafter (SYN__ e.g. SYN1E, SYN2E, SYN2Z)	3640, 4490
	T5 (7H_, 7E_, 7J_)	3000, 3400
	T6, T6.1, e-Transporter (7H_, 7E_, 7J_)	3000, 3400
Citroen	Jumper, e-Jumper (Y)	3000, 3450, 4035
	Jumpy (X)	3000, 3122
	Jumpy, e-Jumpy (2016)	2925, 3275
	SpaceTourer, E-SpaceTourer	2925, 3275
	Berlingo, E-Berlingo	2785, 2975
Peugeot	Boxer, e-Boxer (Y)	3000, 3450, 4035
	Expert (VF3__)	3000, 3122
	Expert, e-Expert (2016-...)	2925, 3275
	Traveller, e-Traveller	2925, 3275
	Rifter, e-Rifter	2785, 2975
Fiat	Ducato, e-Ducato (250)	3000, 3450, 4035
	Scudo (270)	3000, 3122
	Scudo (2022-...)	2925, 3275
	Talento (FJL, FFL)	3098, 3498
Opel	Movano (MR, MS, MW)	3182, 3682, 4332
	Movano, Movano-e (Y)	3000, 3450, 4035
	Vivaro (F7)	3098, 3498
	Vivaro, Vivaro-e, Vivaro e-Kombi, Zafira Life	2925, 3275
	Combo Life, Combo-e Life	2785, 2975
Renault	Master, Master E-Tech (FV, MA, VA)	3182, 3682, 4332
	Trafic (FL, L)	3098, 3498
	Trafic 2014 (JL, L)	3098, 3498
Renault Trucks	Master (MF, VF)	3182, 3682, 4332
Ford	Transit, (FA_, FD_)	2933, 3300, 3750
	Transit, e-Transit (FC_)	3300, 3750, 3954
	Transit Custom (FA_, FC_), Turneo Custom	2933, 3300
	Transit Connect (PU2)	2662, 3062
Iveco	Daily, Daily Electric (IS_)	3000, 3300, 3520, 3950, 4100, 4750
Nissan	NV200	2725
	NV300, Primastar	3098, 3498
	NV400	3182, 3682, 4332



Toyota	Pro Ace (2013-2016)	3000, 3122
	Pro Ace, Pro Ace Verso, Pro Ace Electric (2016)	2925, 3275
MAN	TGE, eTGE (SYN__ e.g. SYN1E, SYN2E, SYN2Z)	3640, 4490
MAXUS (LDV)	V80, Maxus (SV6C)	3100, 3850
	V90, Deliver 9, E-Deliver 9	3000, 3366, 3760
	Deliver 3, E Deliver 3	2910, 3285
Hyundai	H350 (EU(V))	3435, 3670
RAM	ProMaster	3000, 3450, 4035
Freightliner/Dodge	Sprinter	3250, 3665, 4325

Dieser Prüfbericht kann nur mit Kaufnachweis von Freizet WITTIKE GmbH (Komponenten aus diesem Prüfbericht)
 zu Fahrzeugabnahme oder Genehmigungszwecken verwendet werden.
 This report is allowed to be used for vehicle inspection or registration purposes only with proof of purchase
 (of components associated with this report) from Freizet WITTIKE GmbH.



Enclosure 2: METHODS OF SEATS FIXATION TO THE VEHICLE

2.1 Fixation of double bench frame by means of underfloor reinforcements – dedicated for Fiat Ducato/Peugeot Boxer/Citroen Jumper/Opel Movano/RAM ProMaster

RAM02:

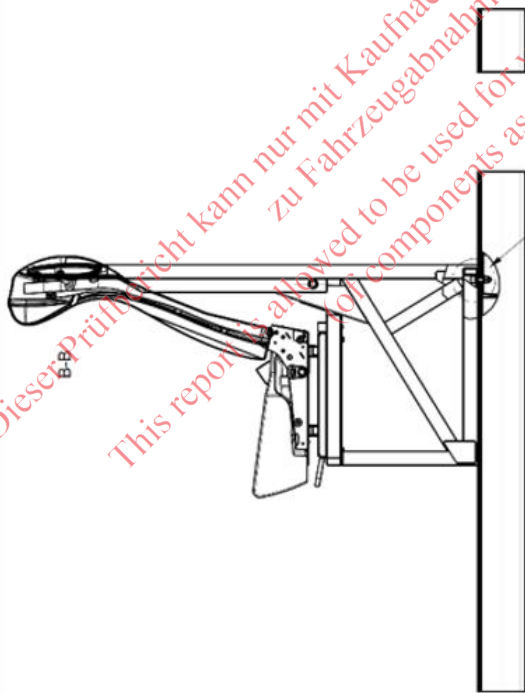
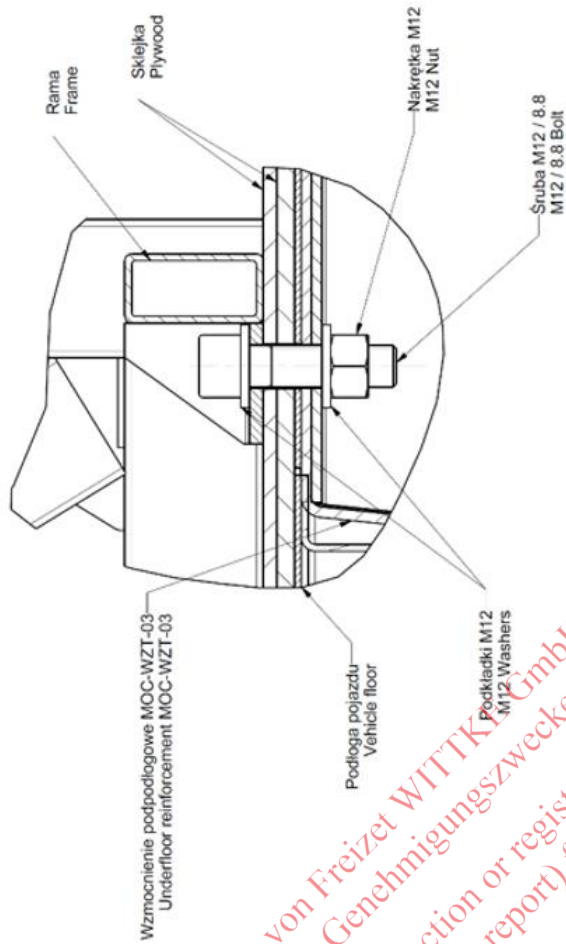
(see next pages)

*Dieser Prüfbericht kann nur mit Kaufnachweis von Freizet WITTKÉ GmbH (Komponenten aus diesem Prüfbericht) zu Fahrzeugabnahme oder Genehmigungszwecken verwendet werden.
This report is allowed to be used for vehicle inspection or registration purposes only with proof of purchase (of components associated with this report) from Freizet WITTKÉ GmbH.*

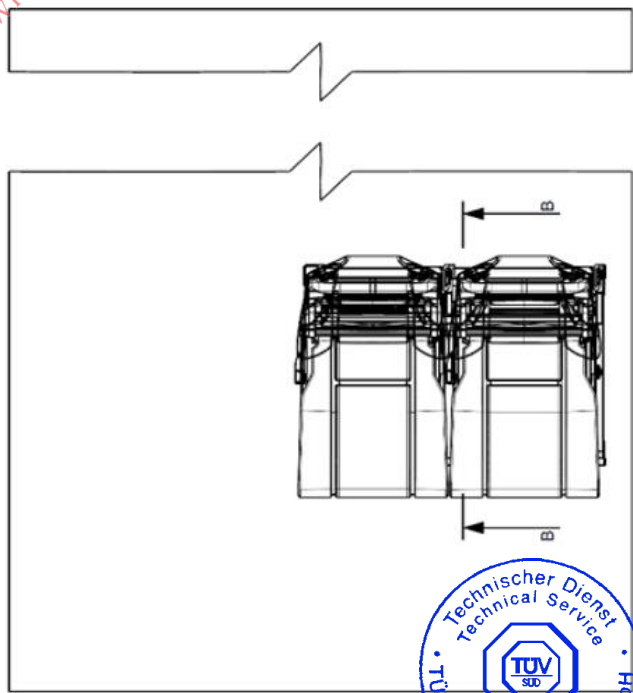


MOBIFRAME		Date: 16.09.2022
	MOBIFRAME/04/2022-00	Page / pages: 9/109

DETAIL C
1:1



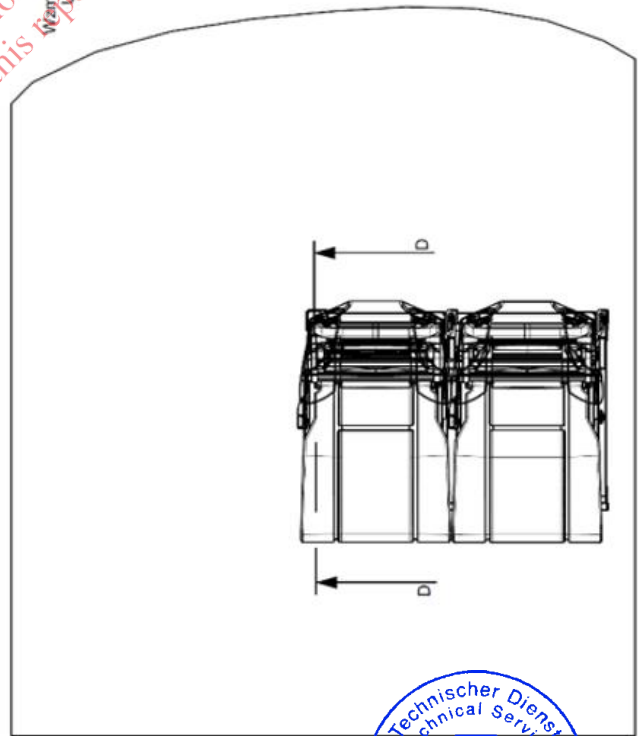
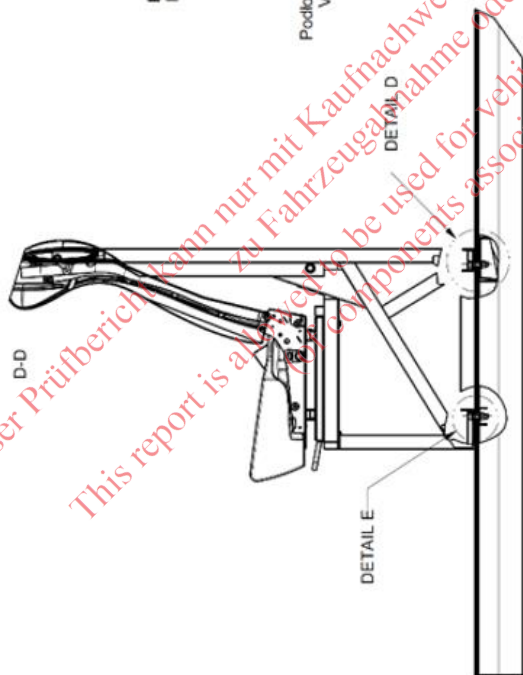
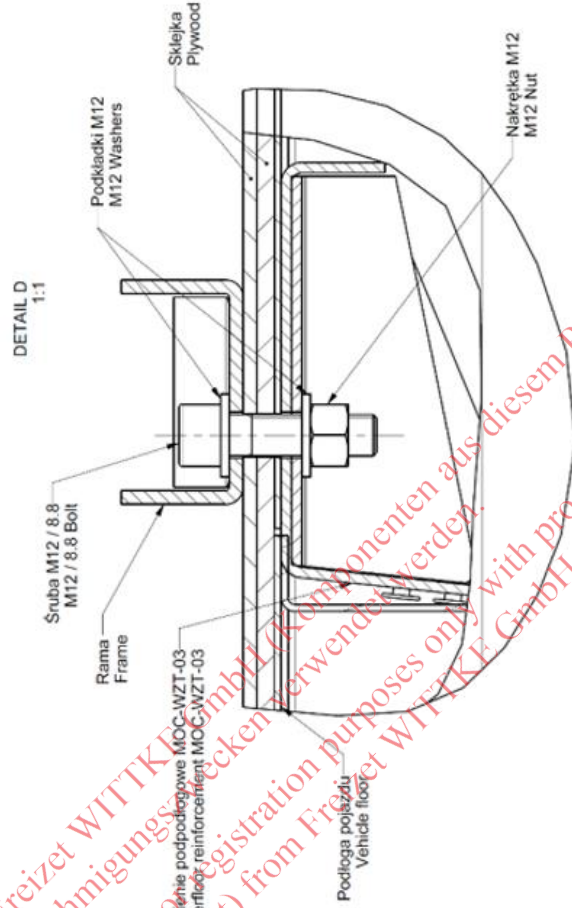
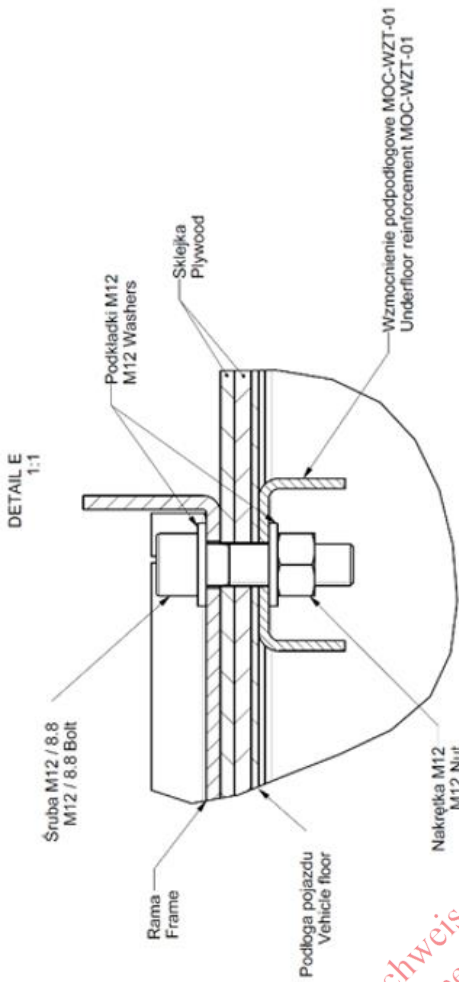
DETAIL C



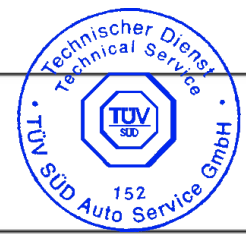
Tolerancje wymiarów Tolerances of dimensions Tolerancias de dimensões		Wielkość Size Tamanho	Wzrost Height Altura
± 0,5mm i 50'			mm
Nazwa i adres Name and address Nome e endereço			
RAM 02 moc do nadwozia			
Nazwa i adres Name and address Nome e endereço			
Województwo Province Estado			
15-07-2019			
1:10			
A2			
2/4			

Dieser Prüfbericht kann nur mit Kaufnachweis von Freizet WITTIKE GmbH (Komponenten aus diesem Prüfbericht) zu Fahrzeugabnahme oder Genehmigungszwecken verwendet werden.
This report is allowed to be used for vehicle inspection or registration purposes only with proof of purchase.
Este informe de prueba no puede ser utilizado para la inspección o registro de vehículos sin el correspondiente comprobante de compra.



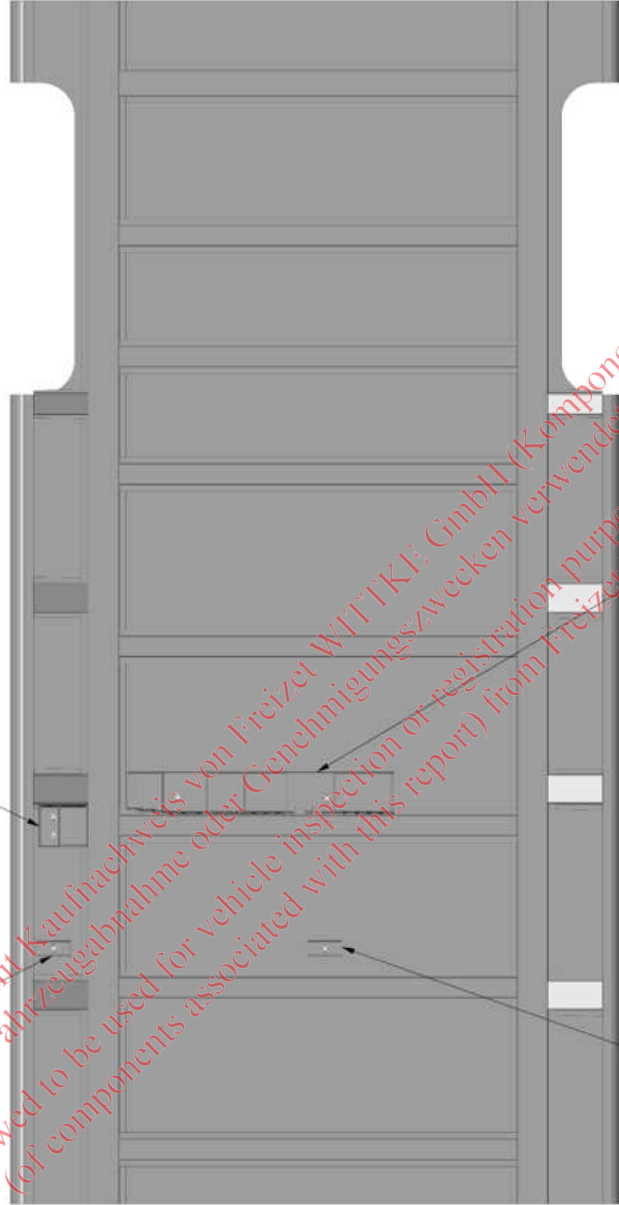


Tolerancje dla maszyn, wymiary liniowe i kątowe Tolerances for machines, linear and angular dimensions		Wzrost człowieka Human height	± 0.5mm i 50'	Waga pojazdu Vehicle weight	mm
Nazwa pojazdu Vehicle name		RAM 02 moc. do nadwozia		Data wydania Issue date	
Właściciel / W. Grzegorzek		Nr. Ciekich/Pat. Numer		Data wykonania Execution date	
1:10		A		15-07-2019	
1:10		A2		3/14	



Wzmocnienie podpodłogowe MOC-WZT-02
Underfloor reinforcement MOC-WZT-02

Wzmocnienie podpodłogowe MOC-WZT-01
Underfloor reinforcement MOC-WZT-01



Wzmocnienie podpodłogowe MOC-WZT-03
Underfloor reinforcement MOC-WZT-03

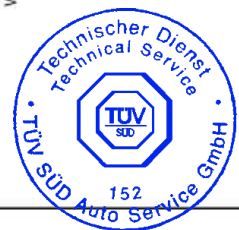
Wzmocnienie podpodłogowe MOC-WZT-01
Underfloor reinforcement MOC-WZT-01

Tolerancje: absolut. wymiary liniowe i kątów. Tolerances: absolute linear and angular dimensions.		Wymiary w mm
± 0.5mm i 50'		
Nazwa części / Name: MOC-WZT-03		
Zastosowanie / Use: do nadwozia		
Skala / Scale: 1:10		
Data / Date: 15-07-2019		
Miejscowość / Location: A		
Wersja / Version: A2		
Liczba stron / Number of pages: 4 / 4		

RAM 02 moc. do nadwozia



Dieser Prüfbericht kann nur mit Kaufnachweis von Freizeit WITTIKE GmbH (Komponenten aus diesem Prüfbericht) zu Fahrzeugabnahme oder Genehmigungszwecken verwendet werden. Without proof of purchase, this report is allowed to be used for vehicle inspection or registration purposes only. (of components associated with this report) from Freizeit WITTIKE GmbH.



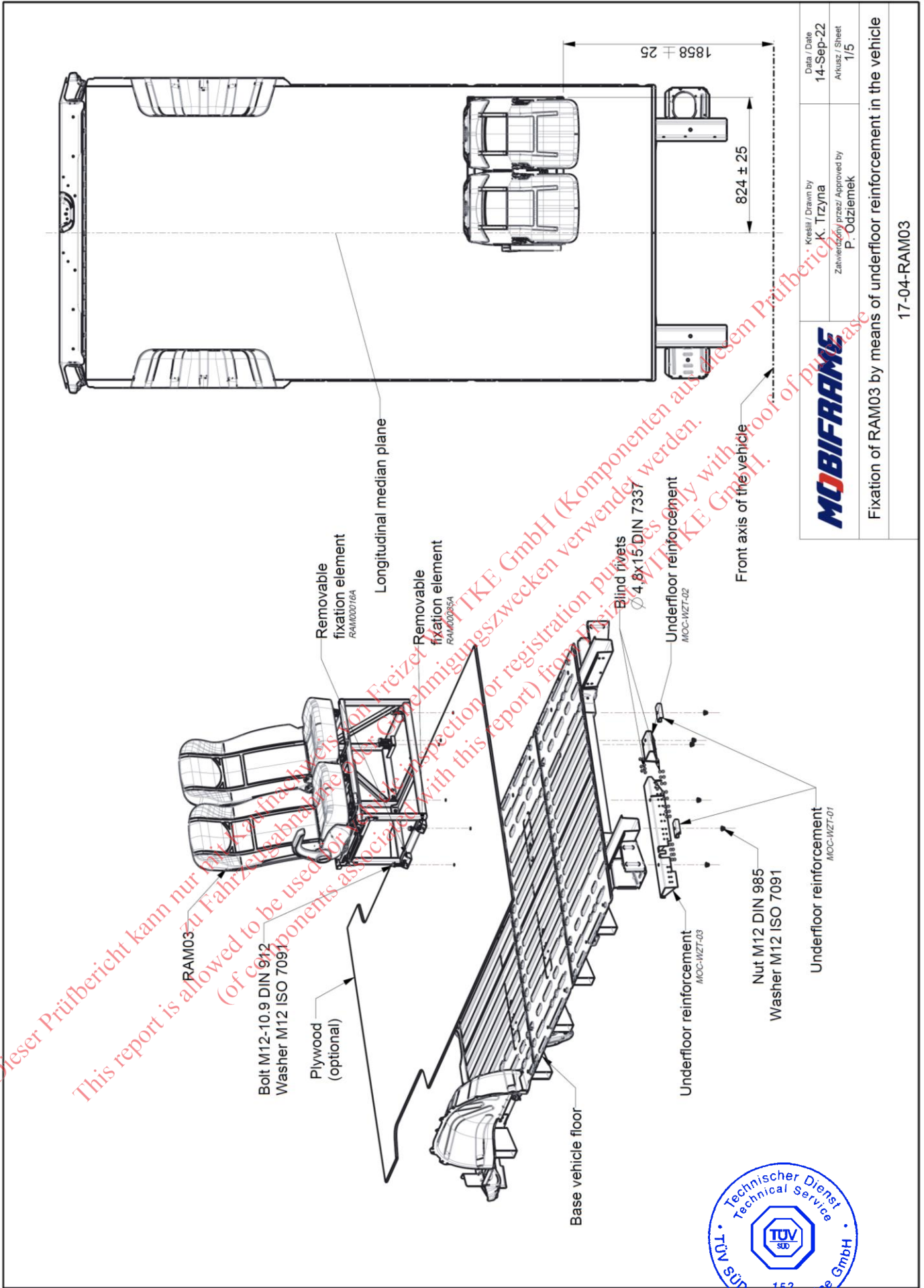
RAM03:

(see next pages)

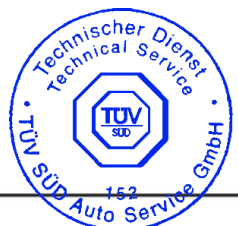
*Dieser Prüfbericht kann nur mit Kaufnachweis von Freizet WITTIKE GmbH (Komponenten aus diesem Prüfbericht)
zu Fahrzeugabnahme oder Genehmigungszwecken verwendet werden.
This report is allowed to be used for vehicle inspection or registration purposes only with proof of purchase
(of components associated with this report) from Freizet WITTIKE GmbH.*

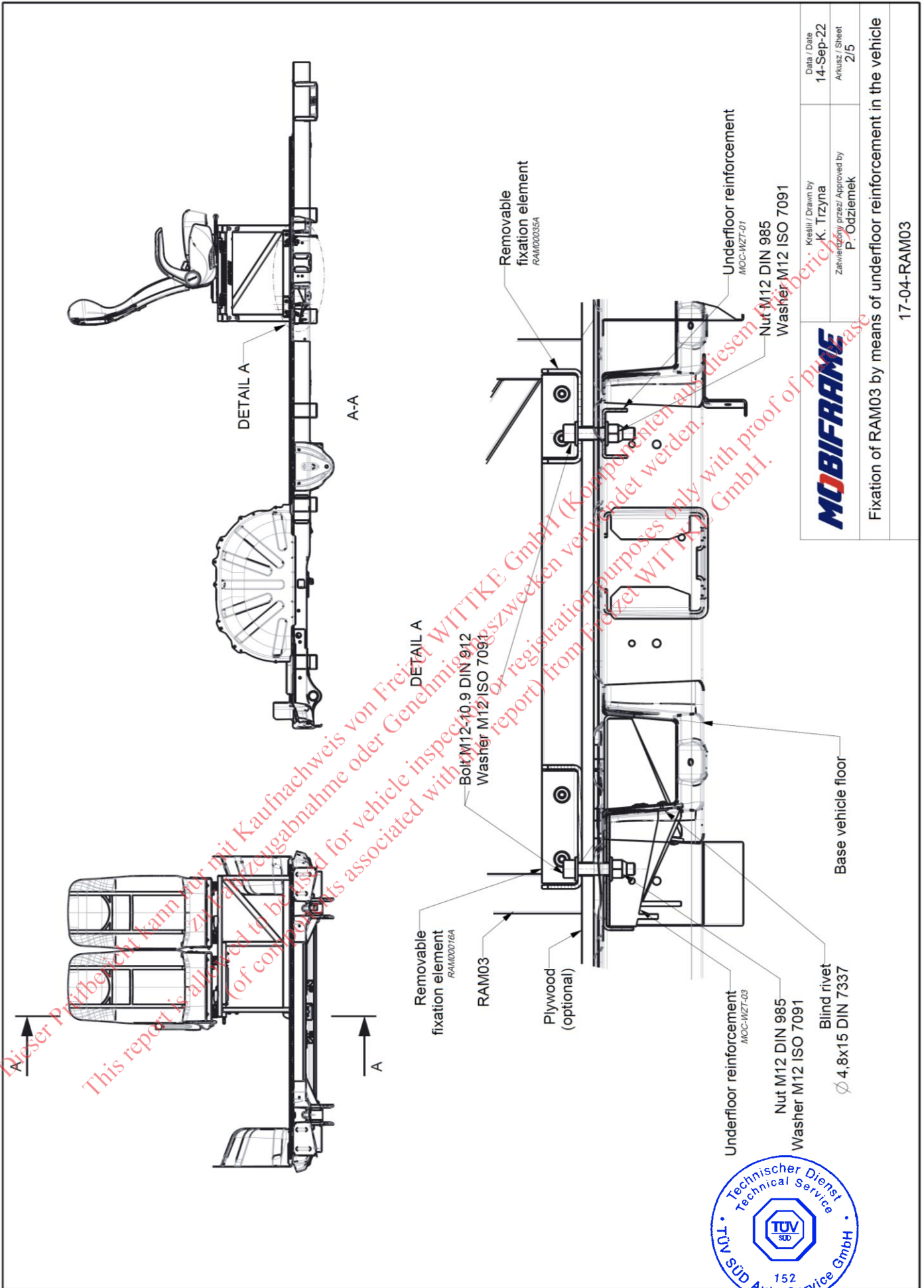


MOBIFRAME		Date: 16.09.2022
	MOBIFRAME/04/2022-00	Page / pages: 13/109

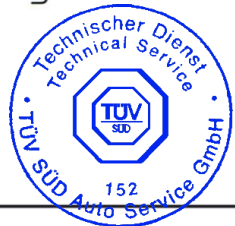


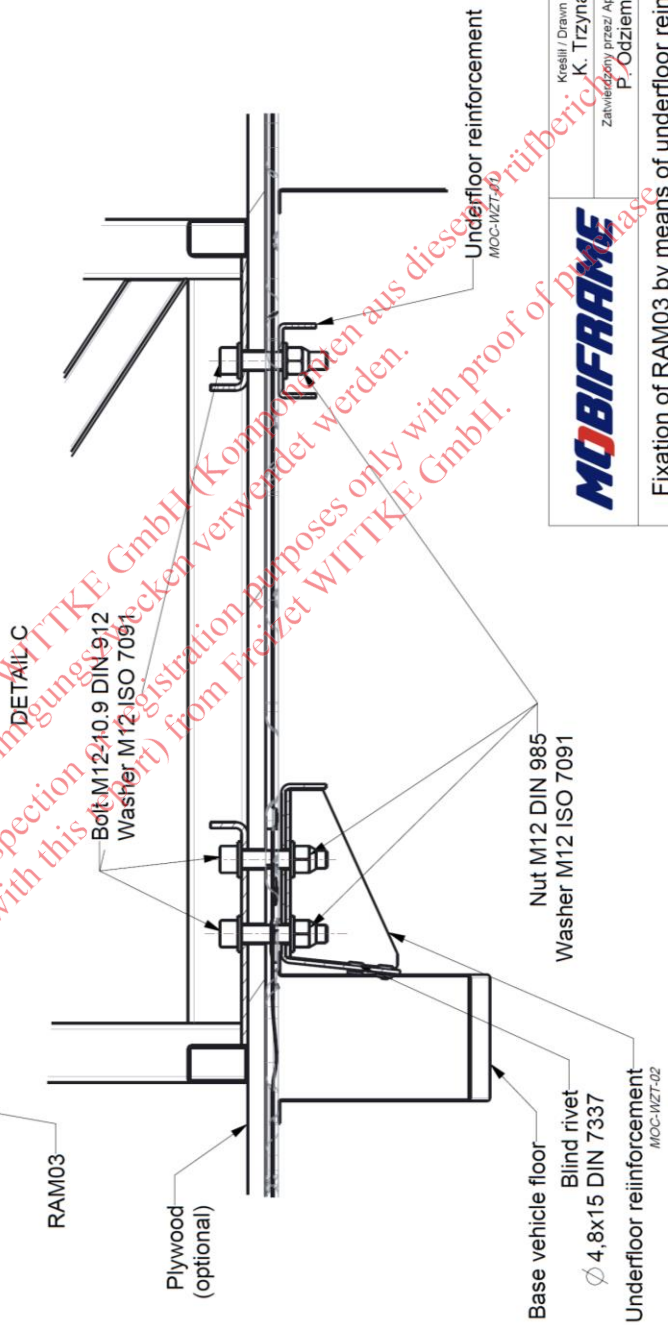
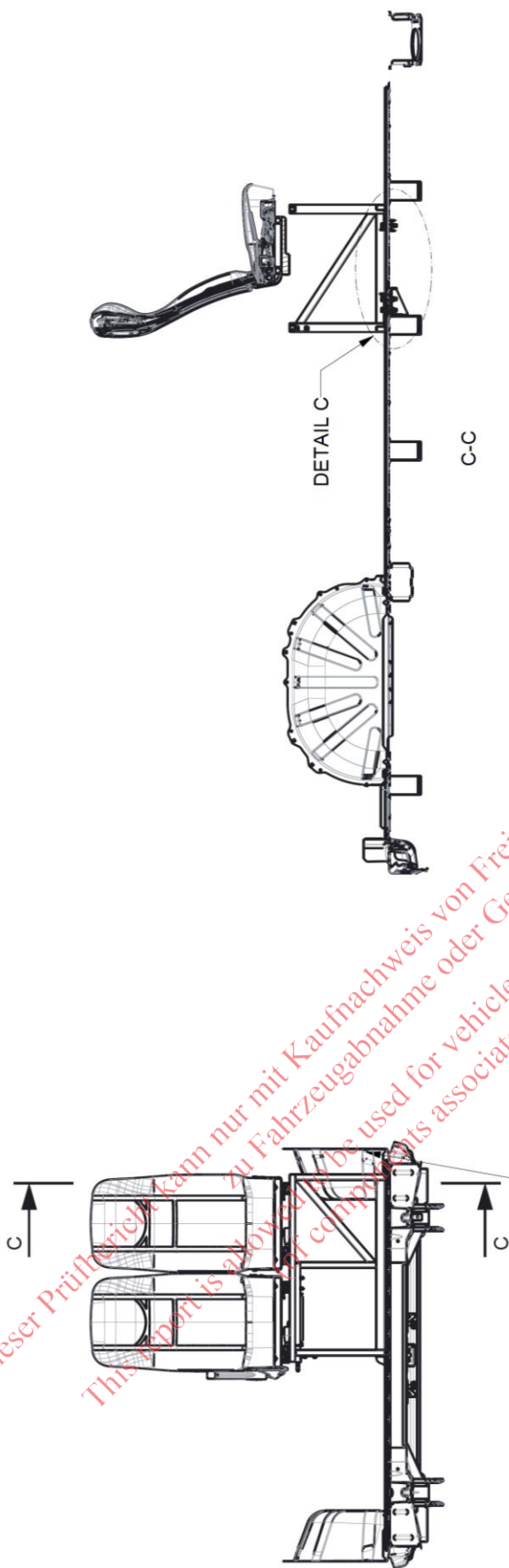
	Kresli / Drawn by K. Trzyna	Data / Date 14-Sep-22
	Zatwierdzony przez / Approved by P. Odziemek	Arkusz / Sheet 1/5
Fixation of RAM03 by means of underfloor reinforcement in the vehicle		
17-04-RAM03		





MOBIFRAME	Kreiert / Drawn by K. Trzyzna	Date / Date 14-Sep-22
	Zatwierdzony przez / Approved by P. Odziemek	Arkusz / Sheet 2/5
Fixation of RAM03 by means of underfloor reinforcement in the vehicle		
17-04-RAM03		



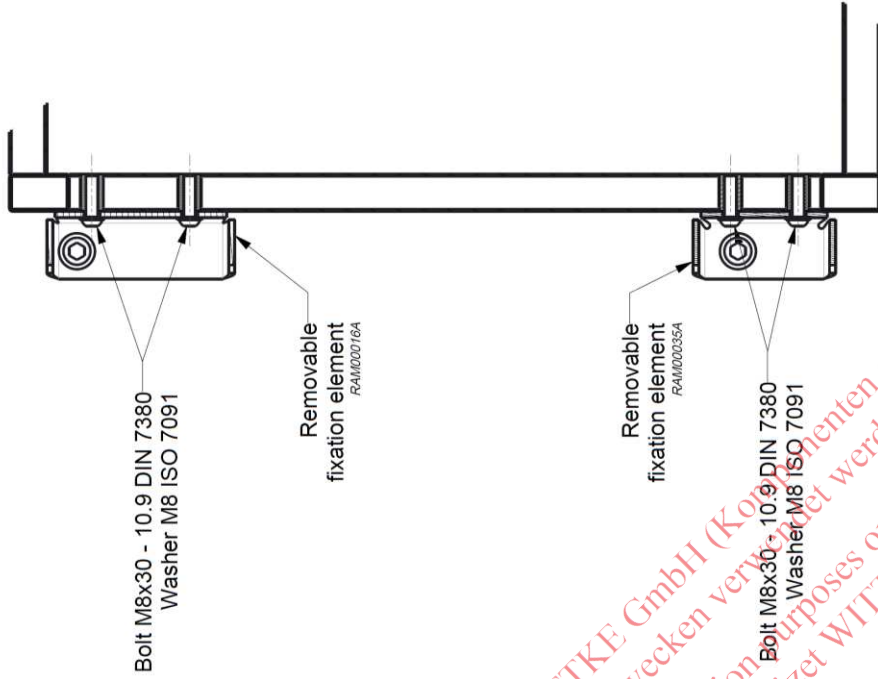


	Kreiert / Drawn by K. Trzyna	Data / Date 14-Sep-22
	Zatwierdzony przez / Approved by P. Odziemek	Arkuszyz / Sheet 4/5
Fixation of RAM03 by means of underfloor reinforcement in the vehicle		
17-04-RAM03		

Dieser Prüfbericht kann nur mit Kaufnachweis von Freizeit WITTIKE GmbH (Komponenten aus diesem Prüfbericht dürfen nicht für andere Zwecke verwendet werden.)
 This report is allowed to be used for vehicle inspection or registration purposes only with proof of purchase.
 This report is allowed to be used for components associated with this report) from Freizeit WITTIKE GmbH.



DETAIL D

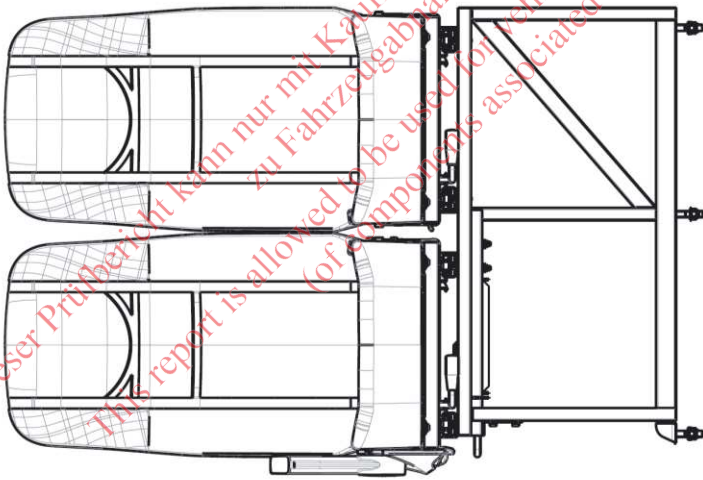


Bolt M8x30 - 10.9 DIN 7380
Washer M8 ISO 7091

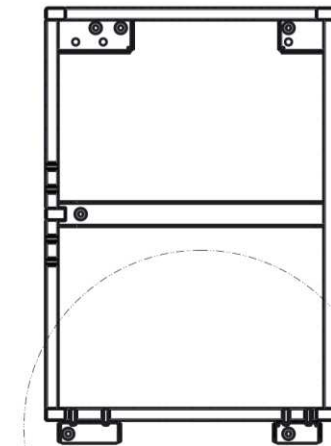
Removable
fixation element
RAM00035A

Removable
fixation element
RAM00035A

Bolt M8x30 - 10.9 DIN 7380
Washer M8 ISO 7091



D



D-D

DETAIL D



MOBIFRAME	Kreiert / Drawn by K. Trzyna	Date / Date 14-Sep-22
	Zatwierdził / przez / Approved by P. Odziemek	Arkusz / Sheet 5/5

Fixation of RAM03 by means of underfloor reinforcement in the vehicle

17-04-RAM03

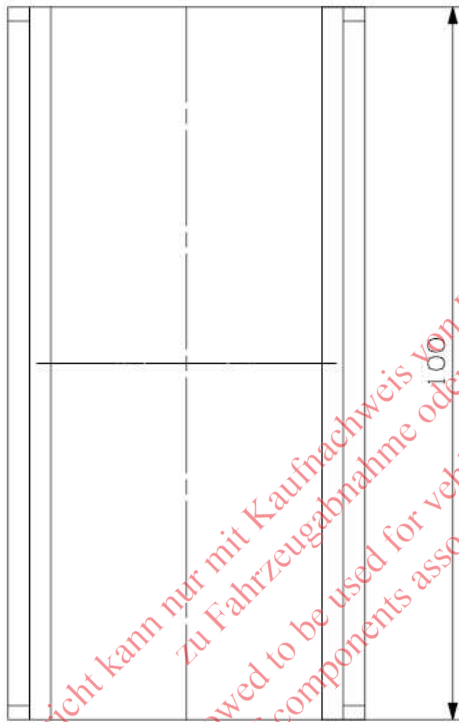
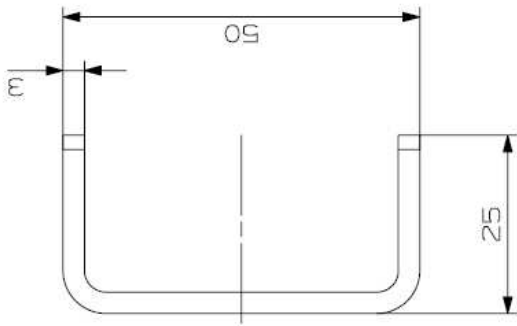
RAM02 and RAM03 fixation components (underfloor reinforcements):

(see next pages)

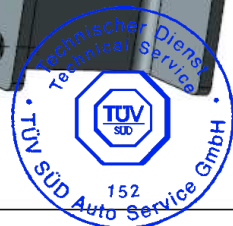
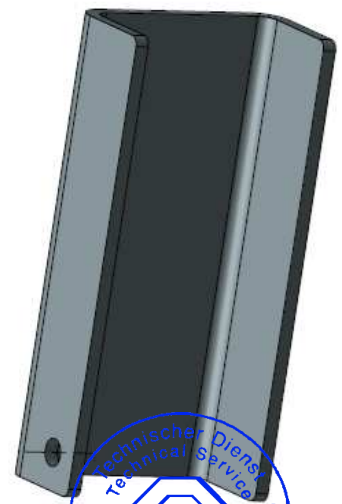
*Dieser Prüfbericht kann nur mit Kaufnachweis von Freizet WITTKÉ GmbH (Komponenten aus diesem Prüfbericht)
zu Fahrzeugabnahme oder Genehmigungszwecken verwendet werden.
This report is allowed to be used for vehicle inspection or registration purposes only with proof of purchase
(of components associated with this report) from Freizet WITTKÉ GmbH.*



MOBIFRAME		Date: 16.09.2022
	MOBIFRAME/04/2022-00	Page / pages: 18/109

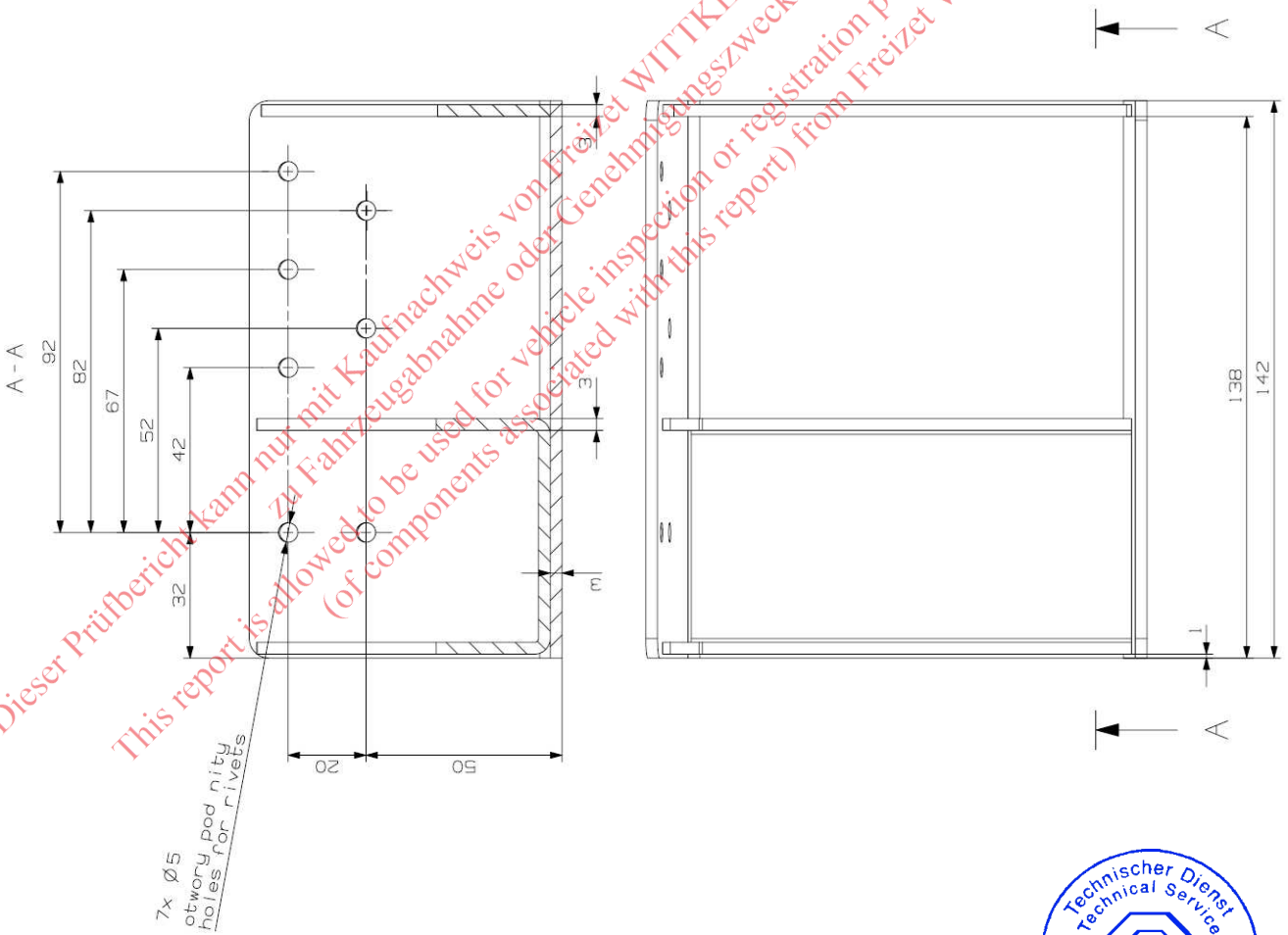


Ø 6
otwor technologiczny
technological hole

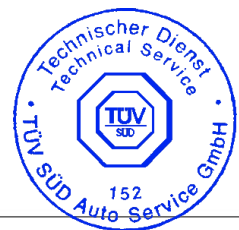


Dieser Prüfbericht kann nur mit Kaufnachweis von Freizet WITTKÉ GmbH (Komponenten aus diesem Prüfbericht) zu Fahrzeugabnahme oder Genehmigungszwecken verwendet werden.
This report is allowed to be used for vehicle inspection or registration purposes only with proof of purchase (of components associated with this report) from Freizet WITTKÉ GmbH.

Zaprojektował	Sprawdził	Zotwierdził	Data	Masa
P. Odziejemek	L. Waliczak	M. Jankowski	19.11.2014	-
Nazwa			Materiał	
MOBIFRAME			SZ35JR	
Numer rys.			MOC-WZT-01	
Mocowanie			reinforcement	
podprogowe/Underfloor			Arkusz	
			1/1	

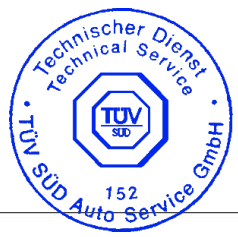
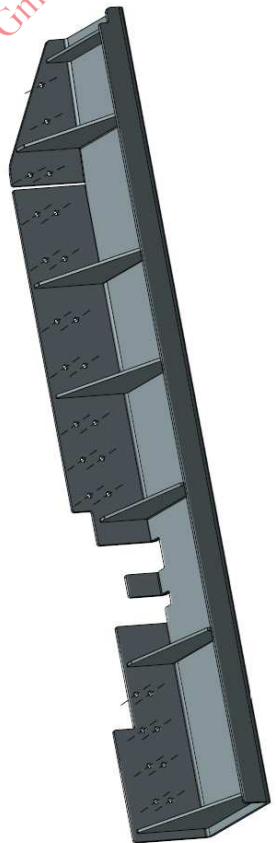
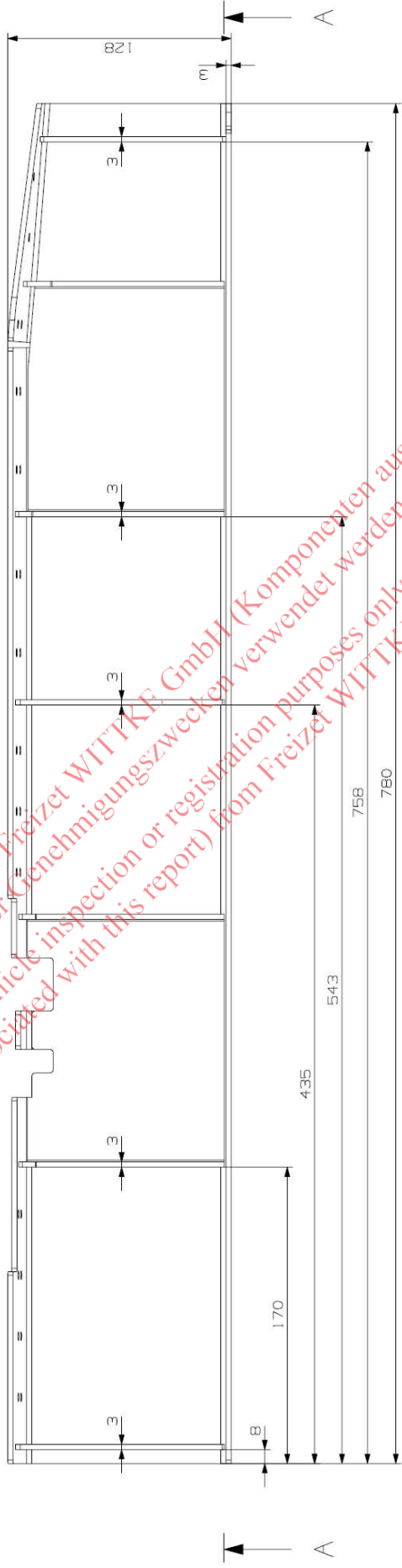
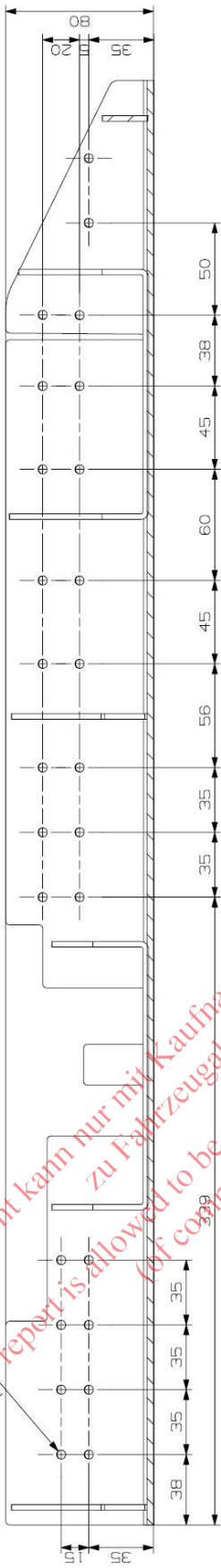


Dieser Prüfbericht kann nur mit Kaufnachweis von Freizet WITTIKE GmbH (Komponenten aus diesem Prüfbericht) zu Fahrzeugabnahme oder Genehmigungszwecken verwendet werden.
 This report is allowed to be used for vehicle inspection or registration purposes only with proof of purchase (of components associated with this report) from Freizet WITTIKE GmbH.



Zaproszenie	Sprawdził	Zatwierdził	Data	Masa
P. Odz. Temek	L. Walczak	M. Jankowski	14.01.2013	—
Nazwa			Mocowanie podpodłogowe/Underfloor reinforcement	
Numer rufy			MOC-WZT-02	
Materiał			S235JR	
Artykuł			171	

A - A



Dieser Prüfbericht kann nur mit Kaufnachweis von Freizeit WITTIKE GmbH (Komponenten aus diesem Prüfbericht) zu Fahrzeugabnahme oder Genehmigungszwecken verwendet werden.
This report is allowed to be used for vehicle inspection or registration purposes only with proof of purchase from Freizeit WITTIKE GmbH.

Zaunrückennummer P. Doz 26mek	Prüfer L. Walczak	Zustimmter M. Jankowski	Datum 19.11.2014	Mass —
Name Mobiframe				Material reinförment
Nummer MOC-WZT-03				Arbeitsnummer 3235UR

2.2 Fixation of double bench frame by means of underfloor reinforcements – dedicated for Mercedes Sprinter (906, 907)/Volkswagen Crafter (2006-2016)

RAM02:

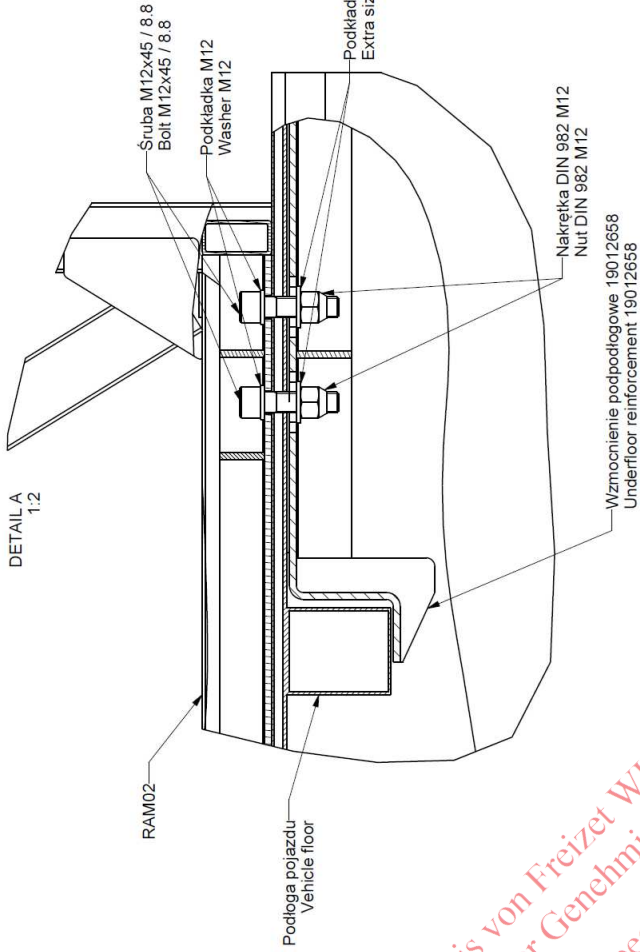
(see next pages)

*Dieser Prüfbericht kann nur mit Kaufnachweis von Freizet WITTIKE GmbH (Komponenten aus diesem Prüfbericht) zu Fahrzeugabnahme oder Genehmigungszwecken verwendet werden.
This report is allowed to be used for vehicle inspection or registration purposes only with proof of purchase (of components associated with this report) from Freizet WITTIKE GmbH.*

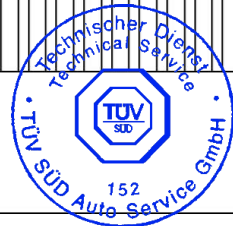
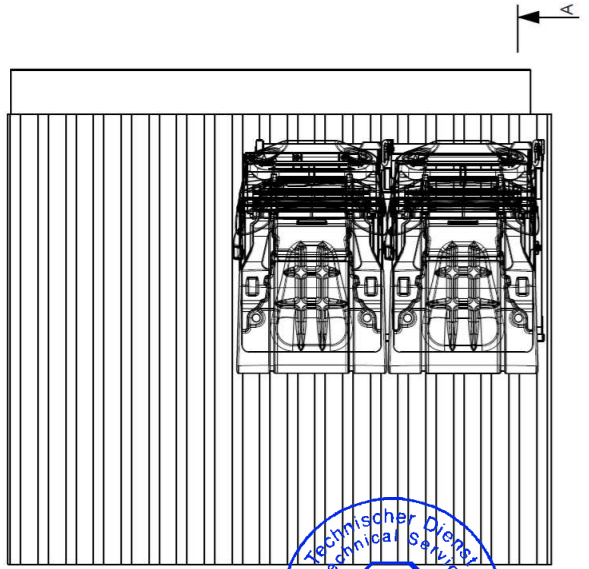
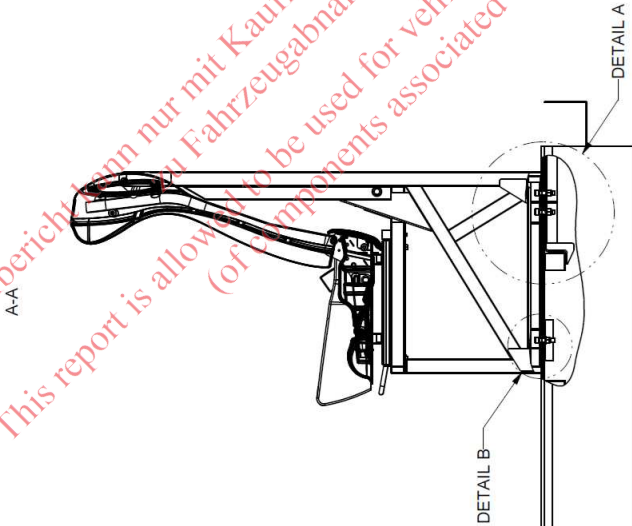
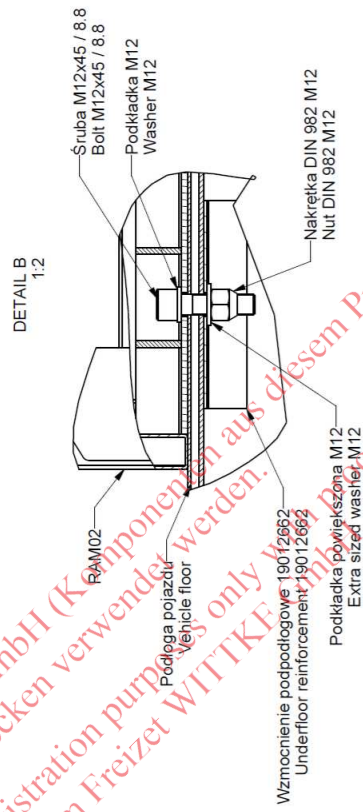


MOBIFRAME		Date: 16.09.2022
	MOBIFRAME/04/2022-00	Page / pages: 22/109

DETAIL A
1:2

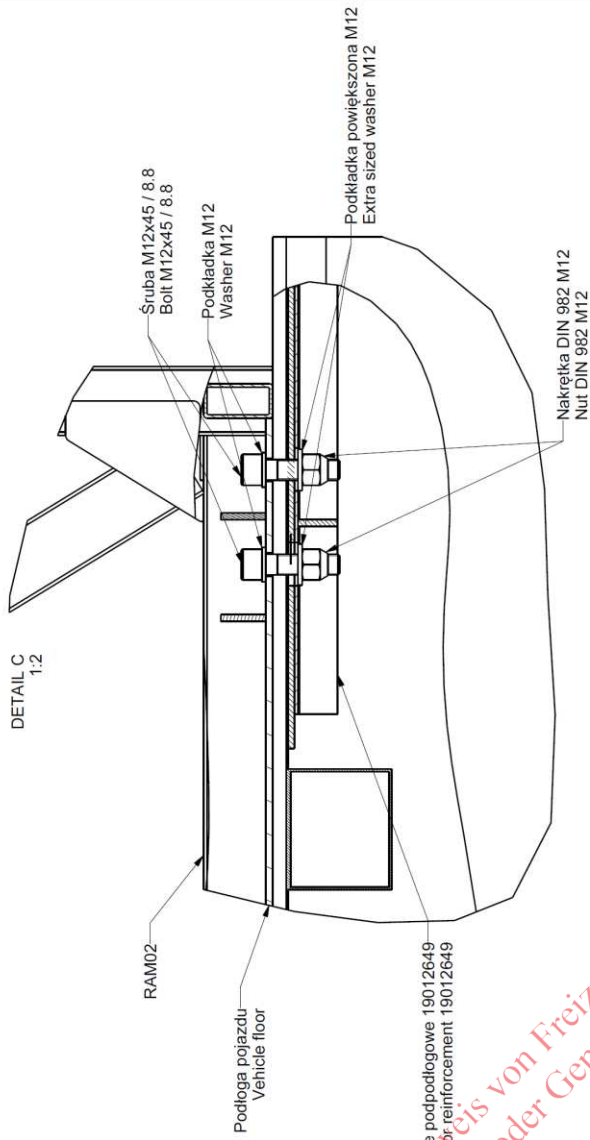


DETAIL B
1:2

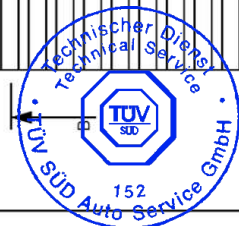
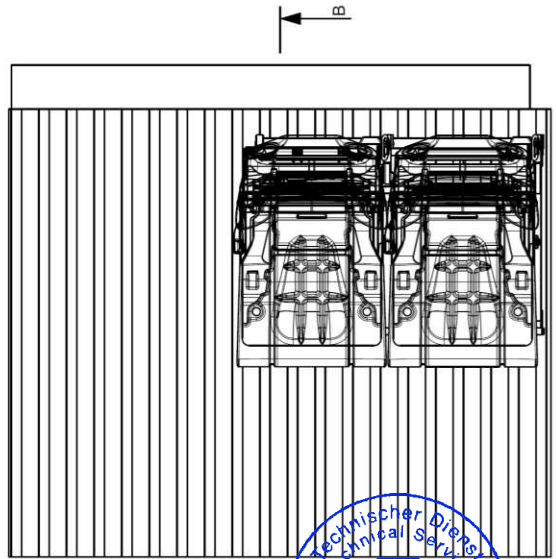
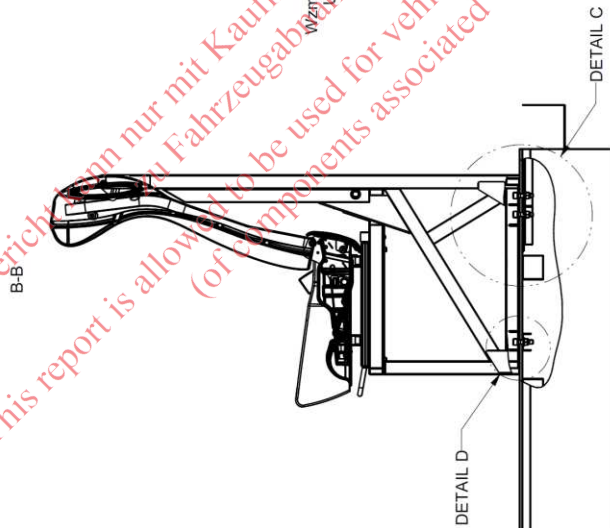
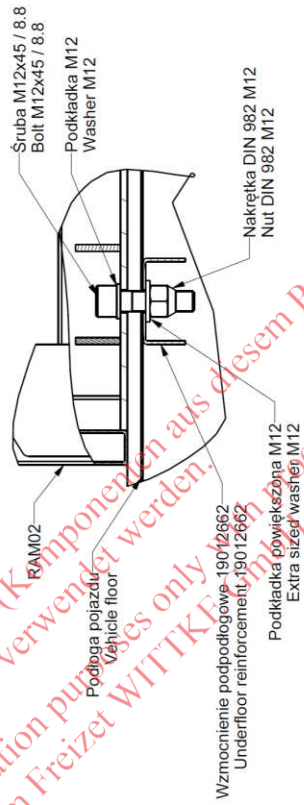


WYKONAWCA MOBIFRAME	WYKONAWCA ± 0,5mm i 50	WYKONAWCA 100%
Tolerancje i odchylenia wymiarów i kształtu Tolerances for assemblies, local and angular dimensions Tolerances for assemblies		
Nazwa / Nazwa RAM02 moc. do nadwozia		
Nazwa / Nazwa W Grzegorz		
Nazwa / Nazwa N. 123456789		
Data 26.08.2019		
Skala 1:10		
Wersja A2		
Liczba stron 1/4		

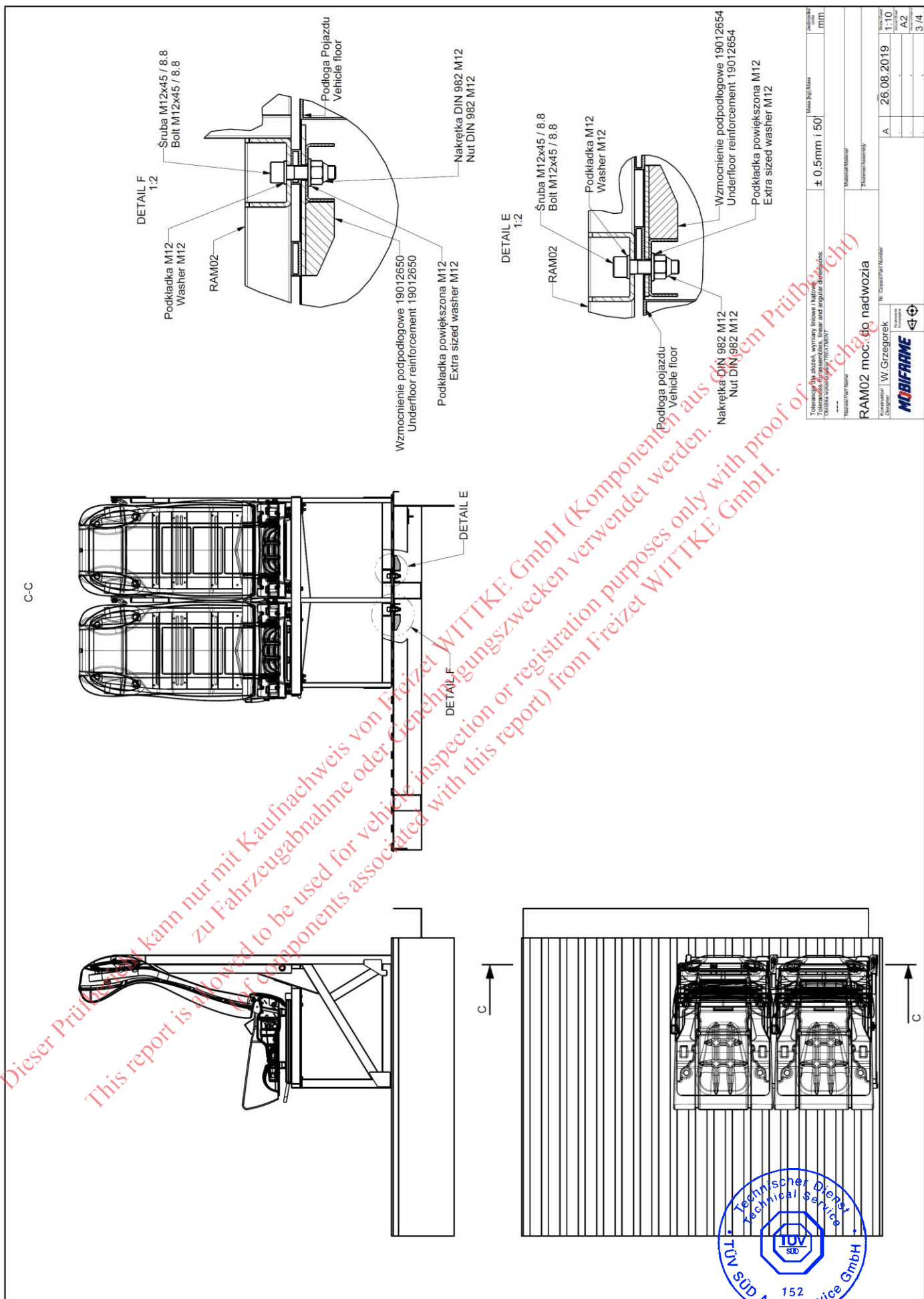
DETAIL C
1:2



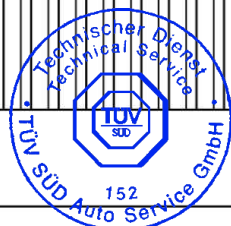
DETAIL D
1:2

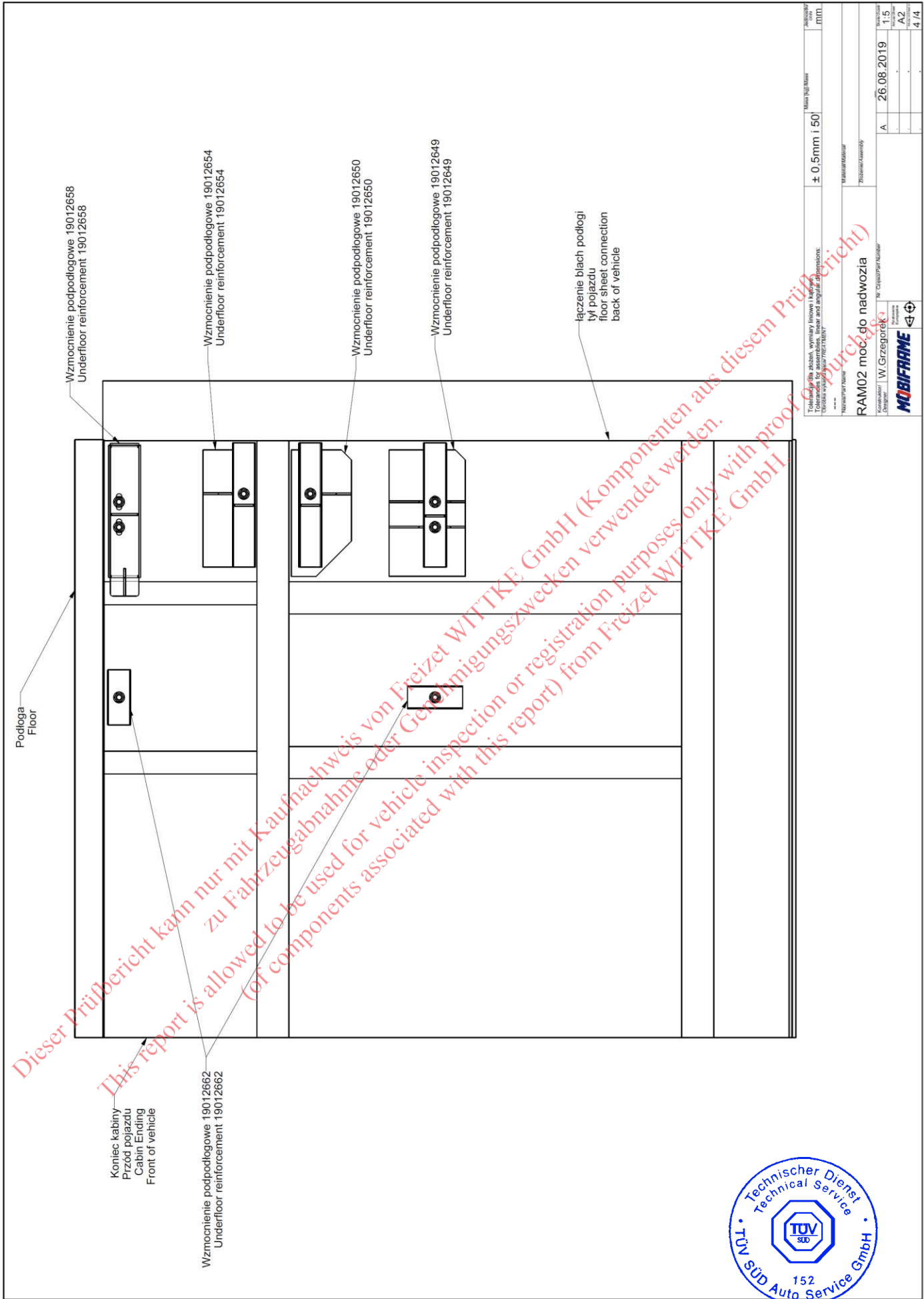


Tolerancje dla zbirów, wymiary linowe i kątowe Tolerances for assemblies, linear and angular dimensions Tolerances for assemblies (if not specified):		Tolerancje dla zbirów Tolerances for assemblies (if not specified):	
Wymiar / Dimension		Wymiar / Dimension	
± 0,5mm i 50'		± 0,5mm i 50'	
Materiał / Material		Materiał / Material	
Zbiórka / Assembly		Zbiórka / Assembly	
RAM02 moc. do nadwozia		RAM02 moc. do nadwozia	
Nr części / Part Number		Nr części / Part Number	
W. Grzegorek		W. Grzegorek	
Data / Date		Data / Date	
26.08.2019		26.08.2019	
Skala / Scale		Skala / Scale	
1:10		1:10	
A2		A2	
2/4		2/4	

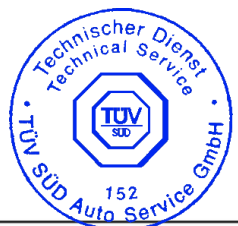


Tolerancje w tabeli, wymiary linowe i katowe Tolerances in table, linear and angular dimensions Tolerances in drawing		Maks. Hgi. śruby Max. Hgt. screw	
± 0,5mm i 50'		M12	
Tolerances in drawing			
Nazwa / Part Name			
RAM02 moc. do nadwozia			
Projektant / Designer: W. Grzegorek			
Numer / No: 26.08.2019			
Mak / Make			
Model / Model			
Wersja / Version			
Skala / Scale: 1:10			
Artykuł / Article: A2			
Strona / Page: 3 / 4			





Wymiary Dimensions	± 0.5mm 50	Masa netto Net mass	MM
Tabela z opisem, wymiarami i kolorami Table with description, dimensions and color codes			
MOBIFRAME			
RAM02 mod. do nadwozia			
Konfiguracja Configuration	W. Grzegorek	Nr. Config/Part Number	
Data wydania Issue date			26.08.2019
Wersja Version			A2
Liczba stron Page count			4 / 4



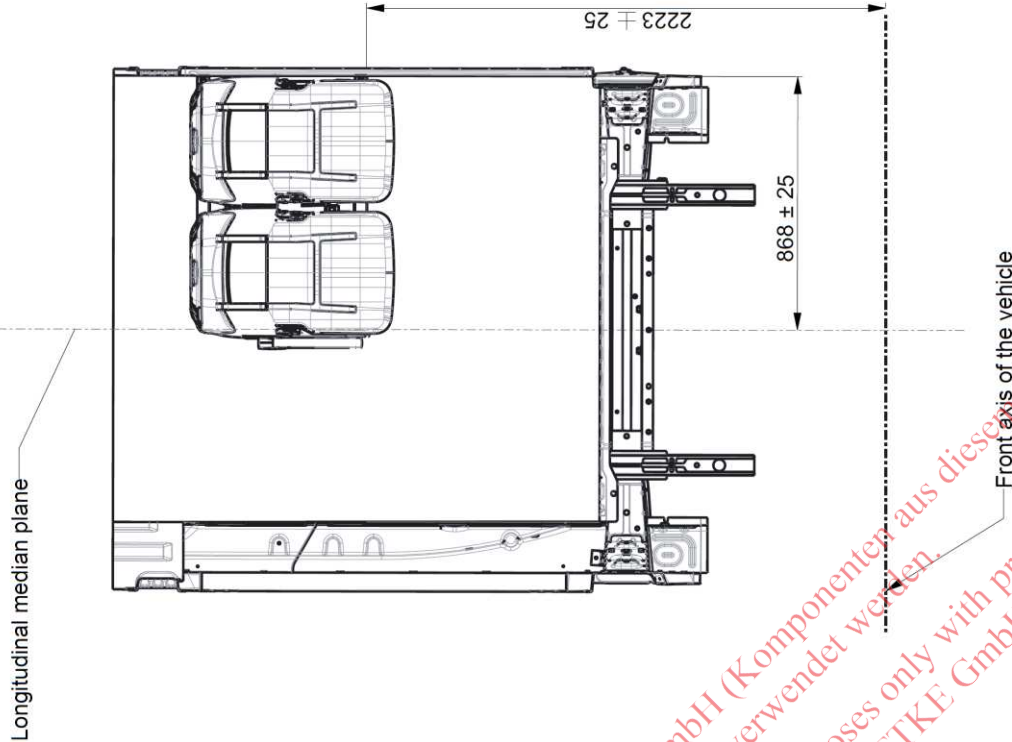
RAM03:

(see next pages)

*Dieser Prüfbericht kann nur mit Kaufnachweis von Freizet WITTKÉ GmbH (Komponenten aus diesem Prüfbericht)
zu Fahrzeugabnahme oder Genehmigungszwecken verwendet werden.
This report is allowed to be used for vehicle inspection or registration purposes only with proof of purchase
(of components associated with this report) from Freizet WITTKÉ GmbH.*



MOBIFRAME		Date: 16.09.2022
	MOBIFRAME/04/2022-00	Page / pages: 27/109

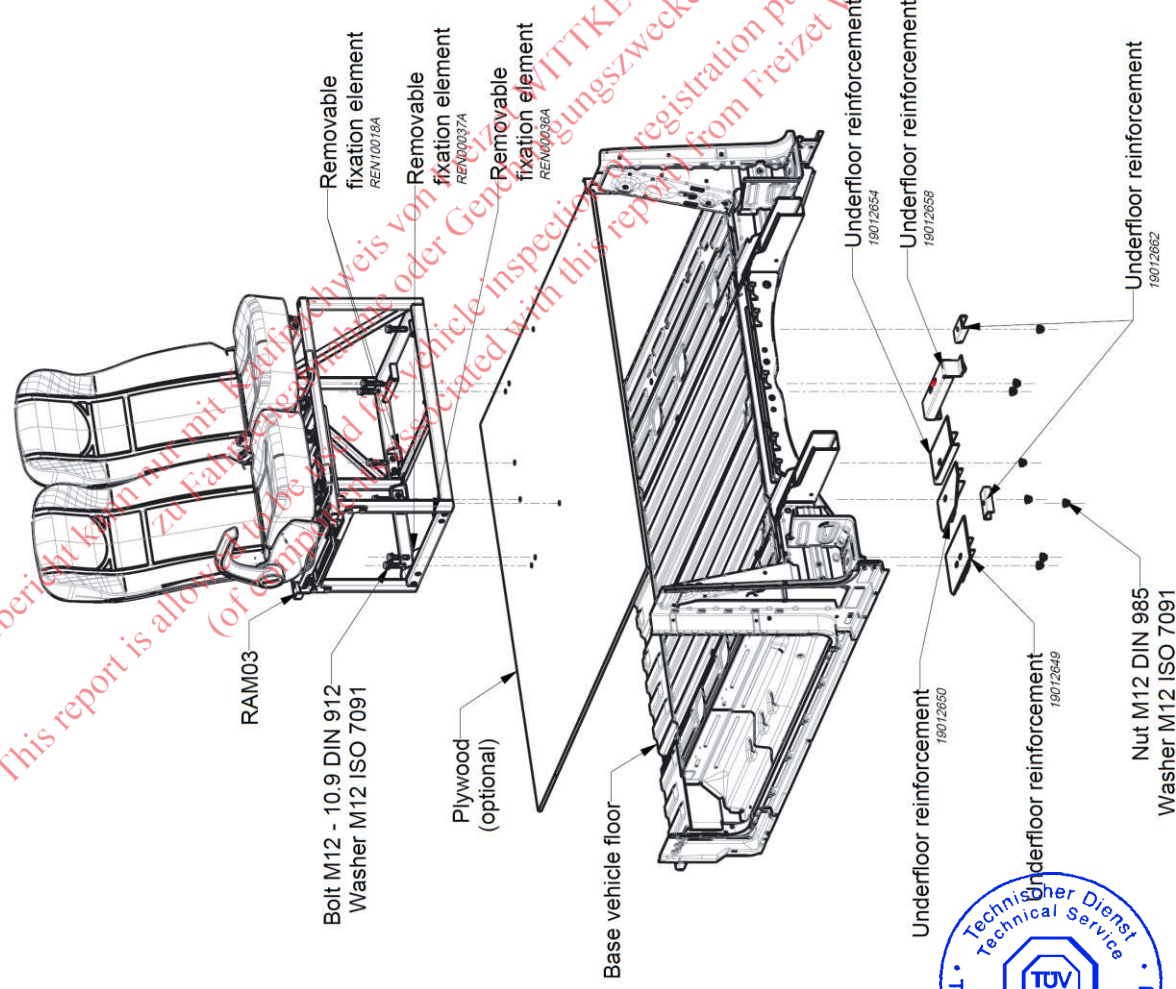


Longitudinal median plane

868 ± 25

2223 ± 25

Front axis of the vehicle



RAM03

Bolt M12 - 10.9 DIN 912
Washer M12 ISO 7091

Plywood
(optional)

Base vehicle floor

Underfloor reinforcement
19072654

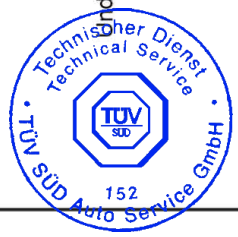
Underfloor reinforcement
19072656

Underfloor reinforcement
19072650

Underfloor reinforcement
19072649

Underfloor reinforcement
19072662

Nut M12 DIN 985
Washer M12 ISO 7091



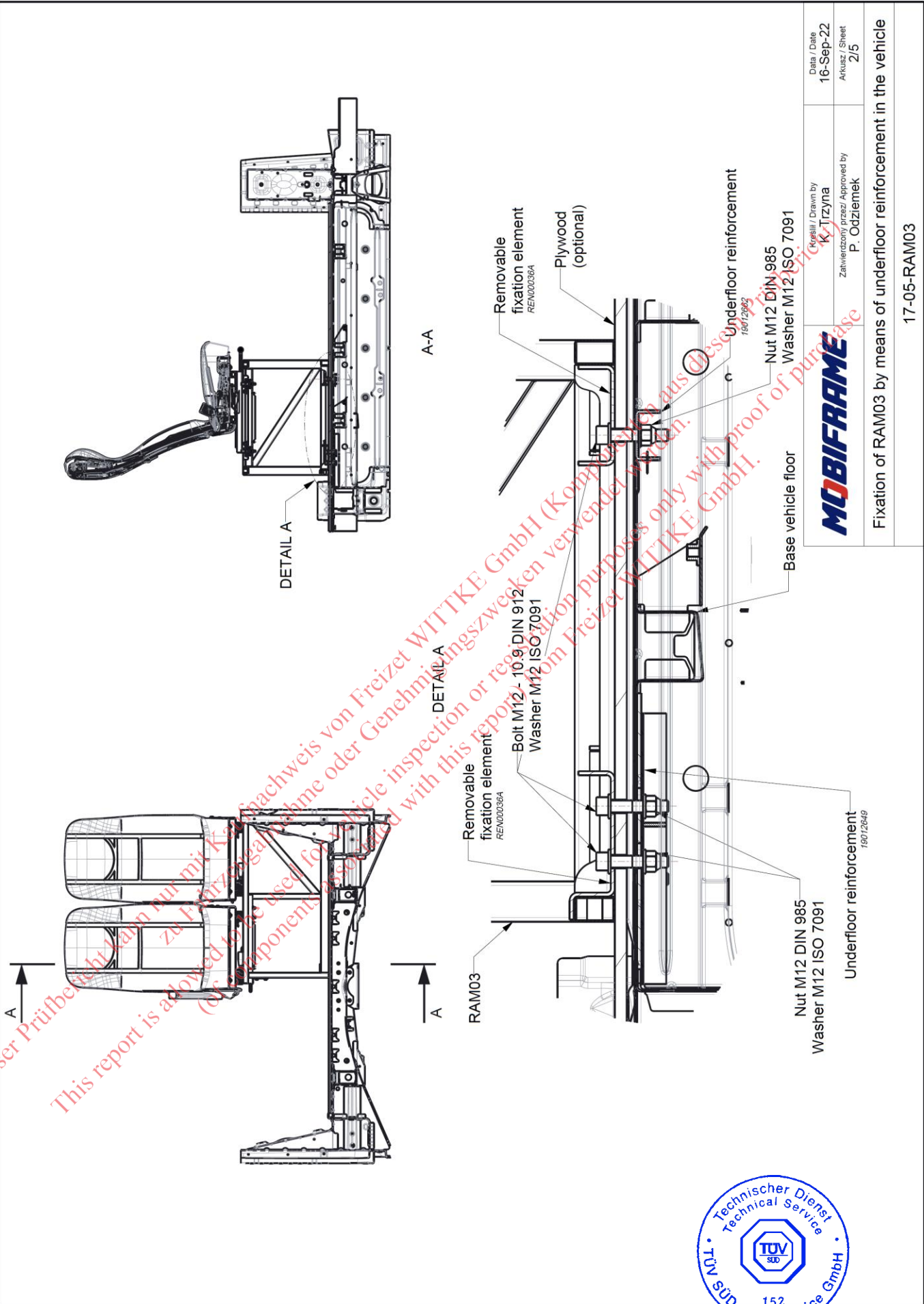
Data / Date
16-Sep-22

Kreiert / Drawn by
K. Trzyna
Zatwierdzony/przez / Approved by
P. Odziemek



Fixation of RAM03 by means of underfloor reinforcement in the vehicle

17-05-RAM03

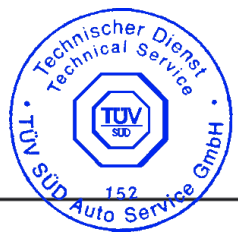


	Kresella / Drawn by K. Trzyna	Date / Date 16-Sep-22
	Zatwierdzony przez / Approved by P. Odziemek	Arkusz / Sheet 2/5

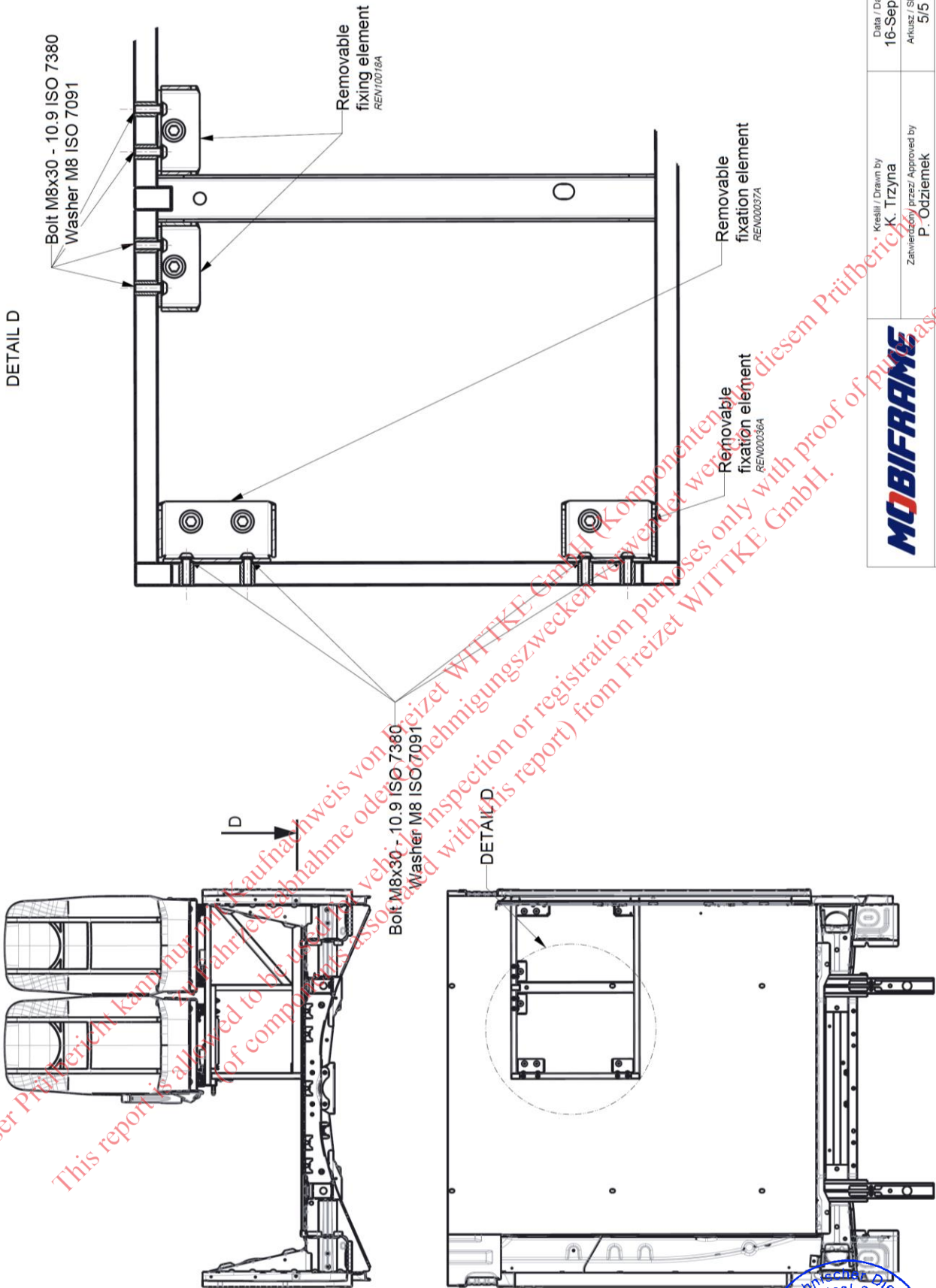
Fixation of RAM03 by means of underfloor reinforcement in the vehicle

17-05-RAM03

Dieser Prüfbericht kann nur mit der Zustimmung der Freizeithilfenutzungszwecken verwendet werden.
 This report is allowed to be used for vehicle inspection or restoration purposes only with proof of purchase.
 (of components specified with this report from Freizeit WITTIKE GmbH.)



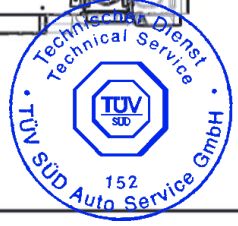
DETAIL D



	Kreslil / Drawn by K. Trzyna	Data / Date 16-Sep-22
	Zatwierdził / przez / Approved by P. Odziemek	Arkusz / Sheet 5/5
Fixation of RAM03 by means of underfloor reinforcement in the vehicle		

17-05-RAM03

Dieser Prüfbericht kann nur im Kaufnachweis von Freizet WITTIKE GmbH (Komponenten) verwendet werden. In diesem Prüfbericht
 This report is allowed to be used only for the vehicle inspection or registration purposes only with proof of purchase
 of components associated with this report) from Freizet WITTIKE GmbH.



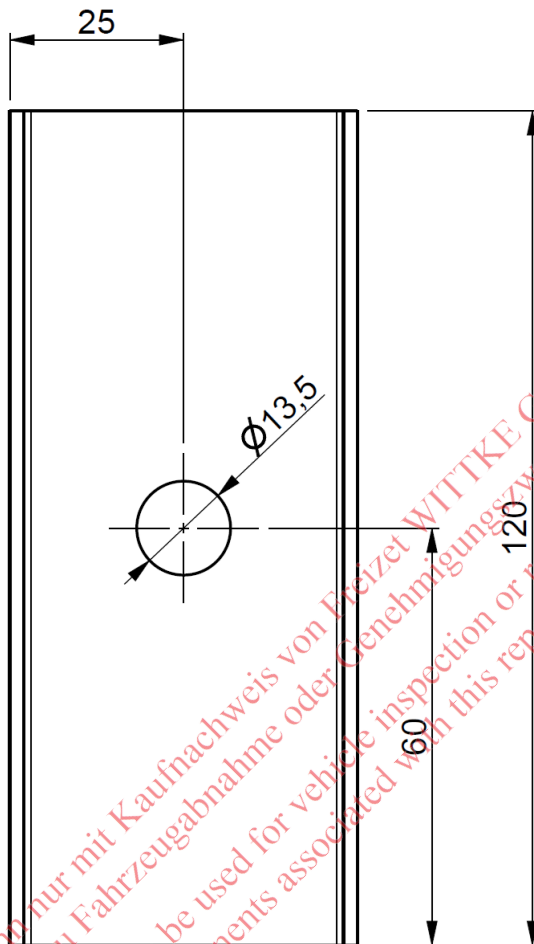
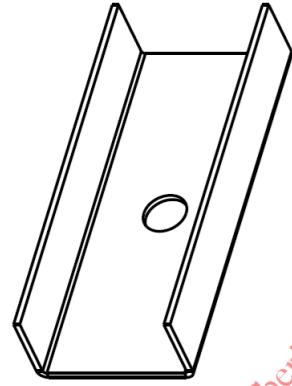
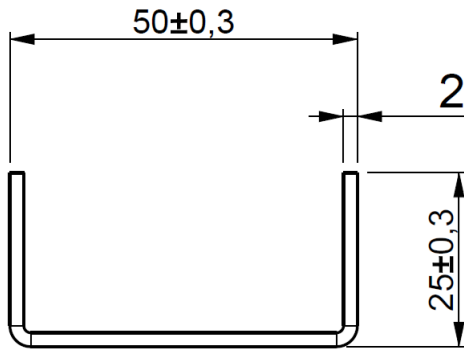
RAM02 and RAM03 fixation components (underfloor reinforcements):

(see next pages)

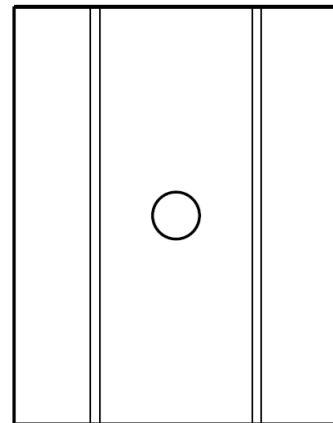
Dieser Prüfbericht kann nur mit Kaufnachweis von Freizet WITTKÉ GmbH (Komponenten aus diesem Prüfbericht)
zu Fahrzeugabnahme oder Genehmigungszwecken verwendet werden.
This report is allowed to be used for vehicle inspection or registration purposes only with proof of purchase
(of components associated with this report) from Freizet WITTKÉ GmbH.



MOBIFRAME		Date: 16.09.2022
	MOBIFRAME/04/2022-00	Page / pages: 31/109



Płaski wzór / Flat pattern:



UWAGI:

Laser: 19012662A.dxf

Powierzchnia
Surface
0,023 m²

Tolerancje wg ISO 2768-1 i ISO2768-2, klasa: Tolerances according to ISO 2768-1; ISO2768-2, class:	mK	Masa [kg]/Mass 0,175	Jednostki/ Units mm
---	----	-------------------------	---------------------------

Nazwa/Part Name WZP01	Materiał/Material S355JR (EN 10027-1)
---------------------------------	---

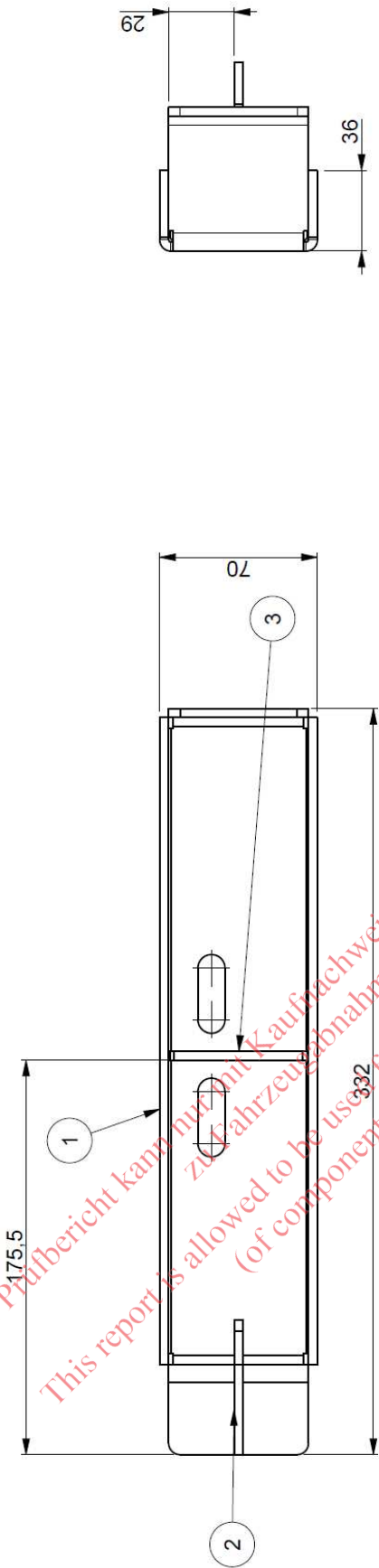
Konstruktor/ Designer S.Chrzanowski	Nr. Części/Part Number 19012662	A	18-06-2019	Skala/Scale 1:
--	---	---	------------	-------------------



19012662



MOBIFRAME	Date: 16.09.2022
	MOBIFRAME/04/2022-00 Page / pages: 32/109



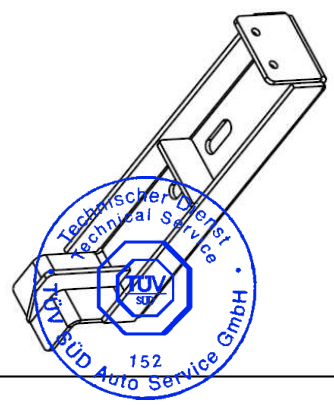
3	1	ZASTRZALG	19012661	A	0,061
2	1	ZASTRZAL_F	19012660	A	0,064
1	1	WZ_KABE_MID1	19012659	A	1,452
Pozycja/Ilość		Nazwa	Kod	Wersja	Masa
					Masa (kg)/Masa
				± 0,5mm i 50	1,577
Tolerancja dla zblezen, wymiary i linowe (ktlowe): Tolerances for assemblies, linear and angular dimensions: Ciężka wyznaczająca PRZECHYLENI					
--- Nazwa/PART Name					
Material/Material					
Zbiorek/Assembly					
Wzmocnienia					
Kontakt/Designer		W.Grzegorek		Nr. CZĘŚCI/PART Number	
				A	
				03.07.2019	
				1:2	
				A3	
				1/2	

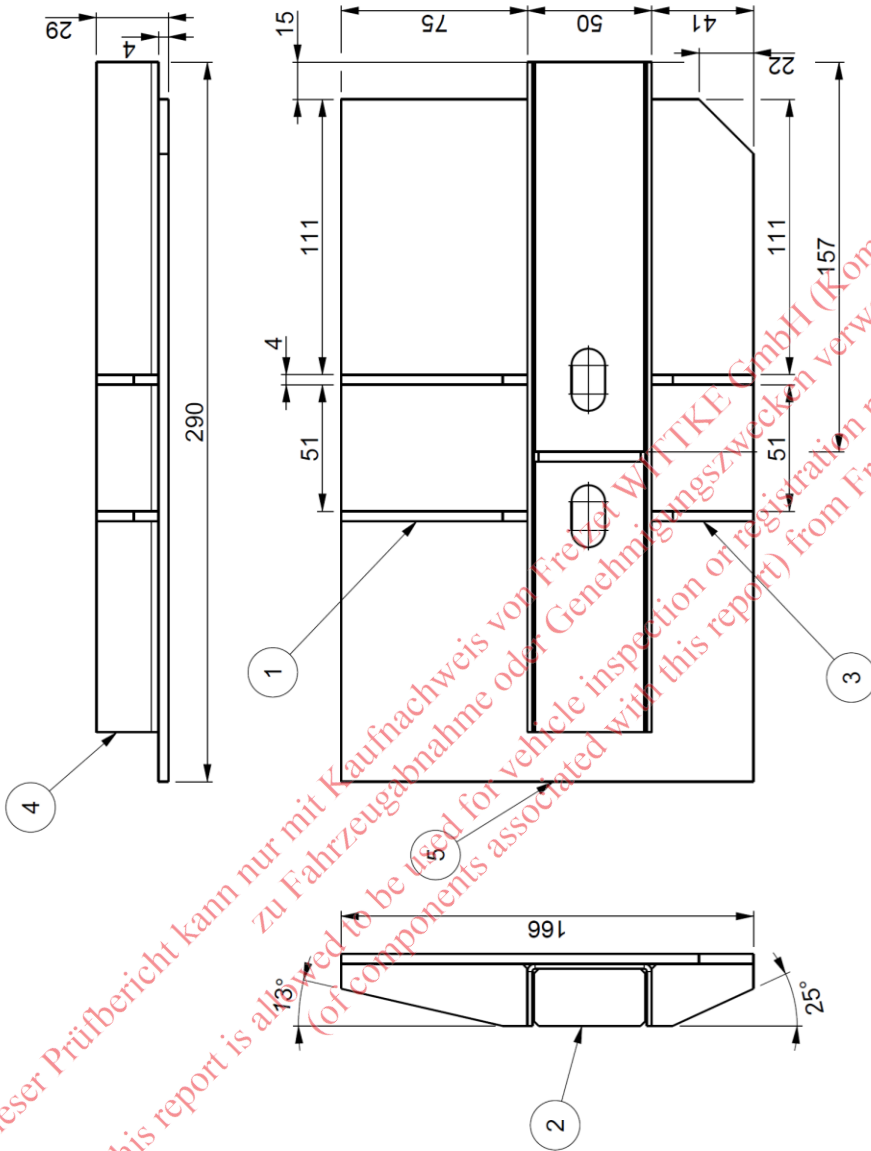
WD_MOCOWANIE_SLUPKA

19012658

MOBIFRAME

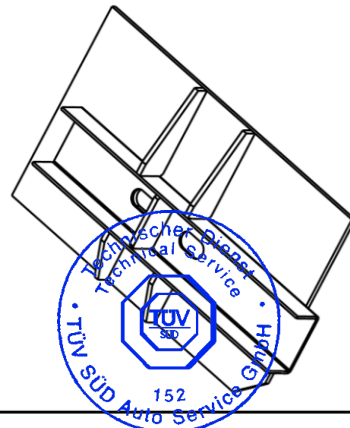
Powierzchnia
Surface
0,108 m²

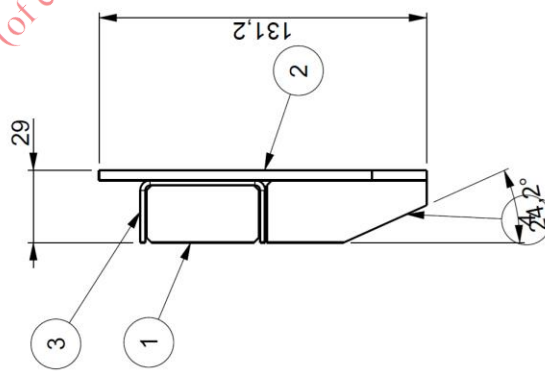
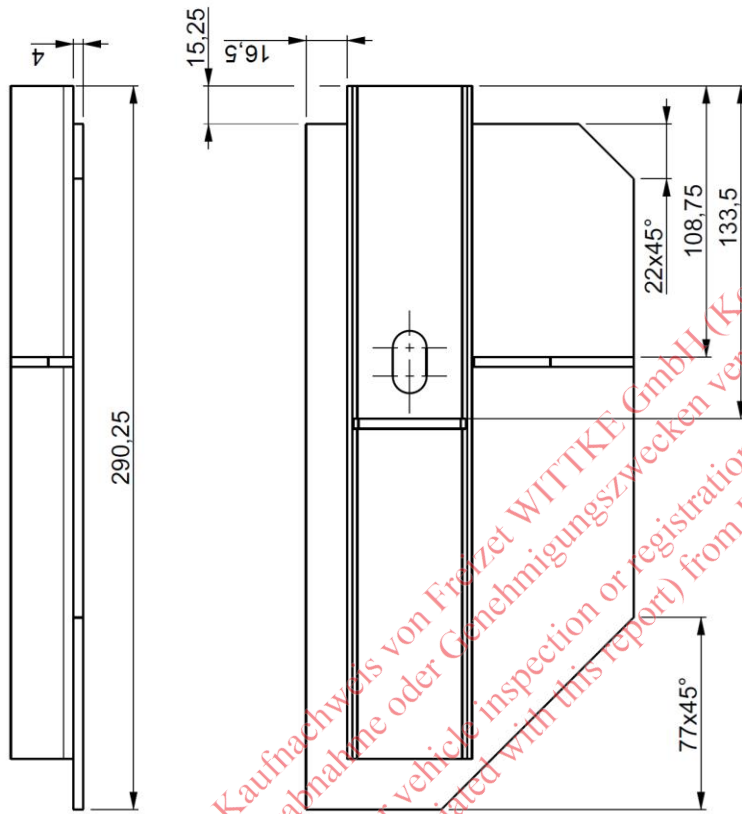




5	1	BLACHA_MOCUJACA	19012648	A	1,416
4	1	CEOWNIK_WZMACNIAJACY	19012647	A	0,390
3	2	ZASTRZAL_C	19012646	A	0,024
2	1	ZASTRZAL_A	19012645	A	0,032
1	2	ZASTRZAL_B	19012644	A	0,044
Pozycja Ilość		Nazwa	Kod	Wersja	Masa
		Tolerancja dla zlozek, wymiar liniowy / kg/mm		Masa kg/mm	
		Tolerances for assemblies, linear and angular dimensions:		1,975	
		DIMENSIONS WYKONCZAJĄC/TREATMENT			
		Malowac RAL 9005 / Paint RAL 9005			
		Nazwa/PART Name			
		Wzmocnienie			

WD_WZMOC_TYLNE_1		Wzmocnienie	
Konstruktor/Designer	W. Grzegorek	Nr części/PART Number	A
Powierzchnia Surface		0,159 m ²	
MOBIFRAME		03.07.2019	
1:2		A3	
1/2		1/2	

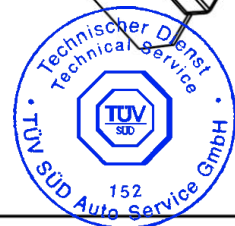
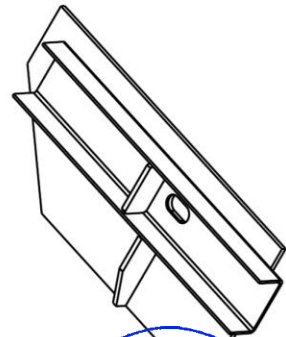


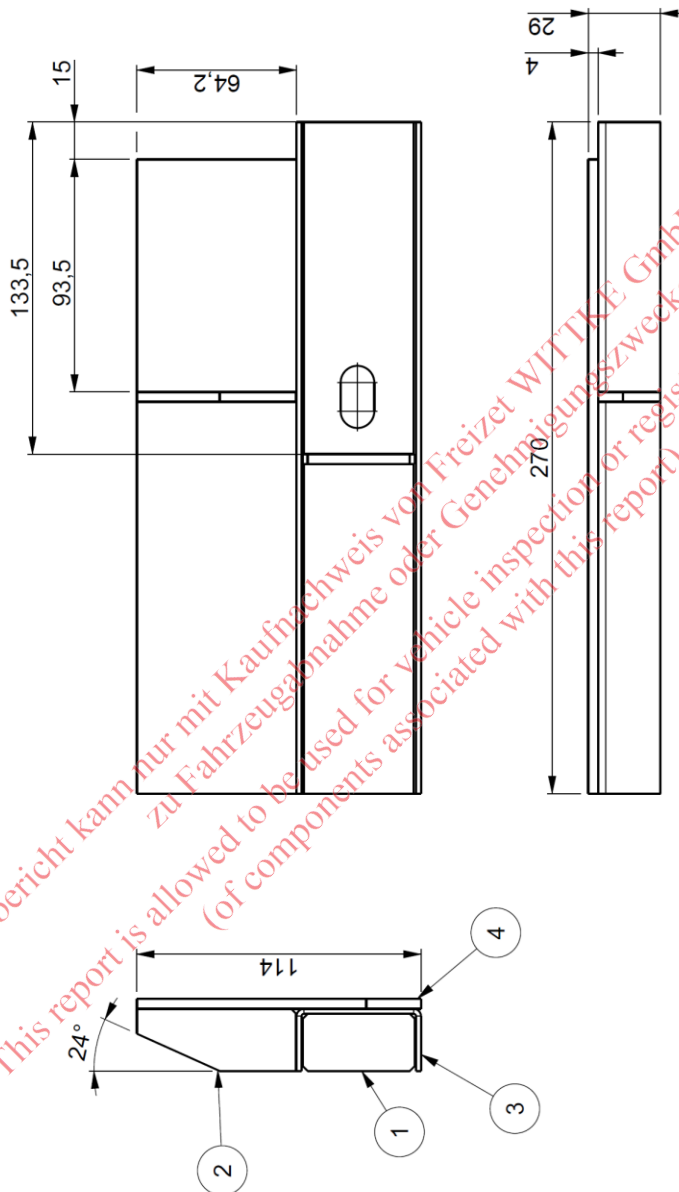


4	1	ZASTRZAŁ D	19012653	A	0,042
3	1	CEOWNIK_WZMAC 2	19012652	A	0,391
2	1	BLACHA MOCUJACA_2	19012651	A	1,023
1	1	ZASTRZAŁ A	19012645	A	0,032

Pozycja	Ilość	Nazwa	Kod	Wersja	Masa	Uwagi
					Masa [kg]/Masa	
					± 0,5mm i 50	1,489
Tolerancja dla złożeń, wymiary liniowe i kątowe: Tolerances for assemblies, linear and angular dimensions: Dobór wykańczeniowy/Finishing						
Malować RAL 9005 / Paint RAL 9005						
Nazwa/Part Name						
WD_WZMOC_TYLNE_2						
Złożenie/assembly						
Wzmocnienia						
Konstruktor/ Designer	W. Grzegorek					Nr. części/Part Number
Eksportowa Export file						
MOBIFRAME						
Wzmocnienia						
Skala/Scale	1:2					
Format/Sheet	A3					
Strona/Sheet	1/2					

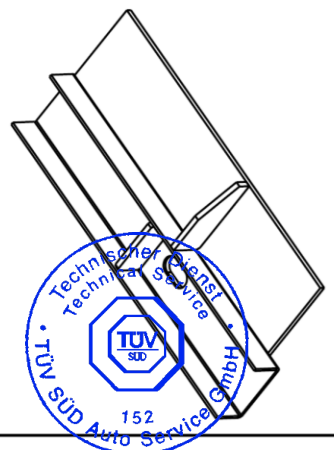
Powierzchnia
Surface
0,126 m²





4	1	BLACHA MOCUJACA_3	19012656	A	0.897
3	1	CĘOWNIK_WZMAC_3	19012655	A	0.395
2	1	ZASTRZAŁ_D	19012653	A	0.042
1	1	ZASTRZAŁ_A	19012645	A	0.032
Pozycje ilości		Nazwa	Kod	Wersja	Masa
Tolerancja dla złożeni, wymiary liniowe i kątowe: Tolerances for assemblies, linear and angular dimensions: Wskazanie wyznaczonego precyzji		± 0,5mm i 50			1,367
Malowac RAL 9005 / Paint RAL 9005		Materiał/Material		Uwagi	
WD_MOCOWANIE_TYLNE		Zbiornik/Assembly		Wzmocnienia	
Konstruktor/Designer	W.Grzegorek	Nr. części/PART Number			
Powierzchnia Surface		0,118 m ²			
MOBIFRAME					
1:2		03.07.2019			
A3					
1/2					

Dieser Prüfbericht kann nur mit Kaufnachweis von Freizet WITTE GmbH (Komponenten aus diesem Prüfbericht) zu Fahrzeugabnahme oder Genehmigungszwecken verwendet werden.
This report is allowed to be used for vehicle inspection or registration purposes only with proof of purchase (of components associated with this report) from Freizet WITTE GmbH (Components from this report).



2.3. Fixation of double seat bench by means of Fixation Plate – dedicated for all vehicles presented in Enclosure 1

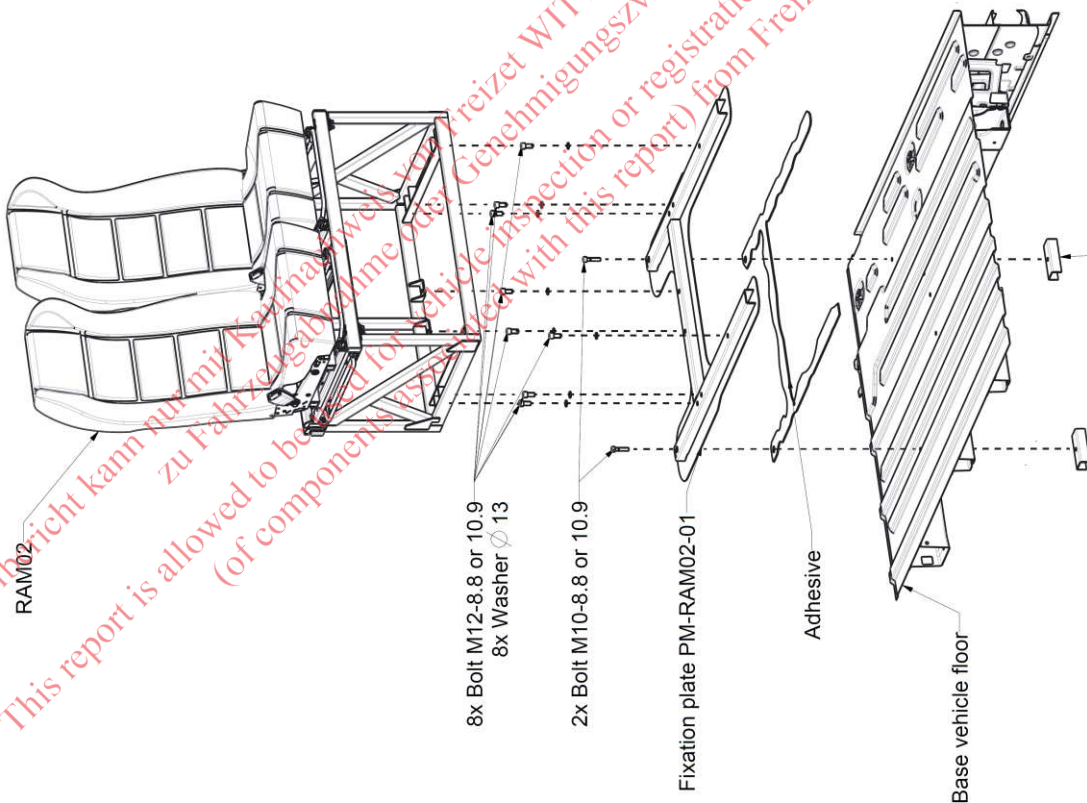
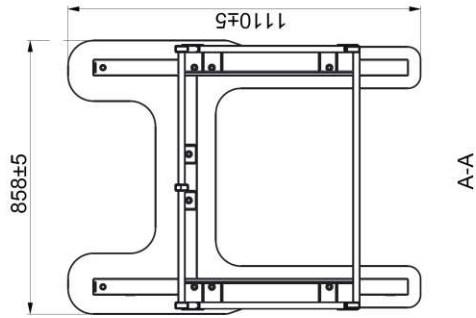
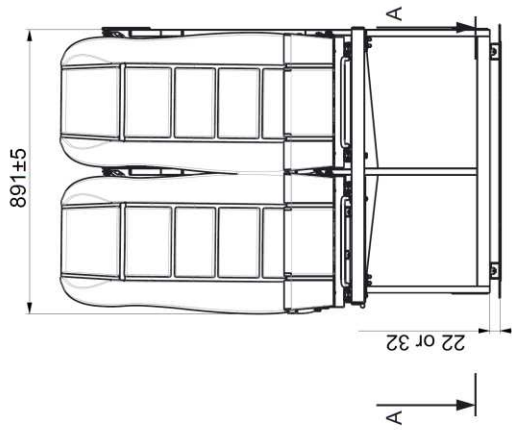
RAM02:

(see next pages)

*Dieser Prüfbericht kann nur mit Kaufnachweis von Freizet WITTIKE GmbH (Komponenten aus diesem Prüfbericht) zu Fahrzeugabnahme oder Genehmigungszwecken verwendet werden.
This report is allowed to be used for vehicle inspection or registration purposes only with proof of purchase (of components associated with this report) from Freizet WITTIKE GmbH.*



MOBIFRAME		Date: 16.09.2022
	MOBIFRAME/04/2022-00	Page / pages: 37/109

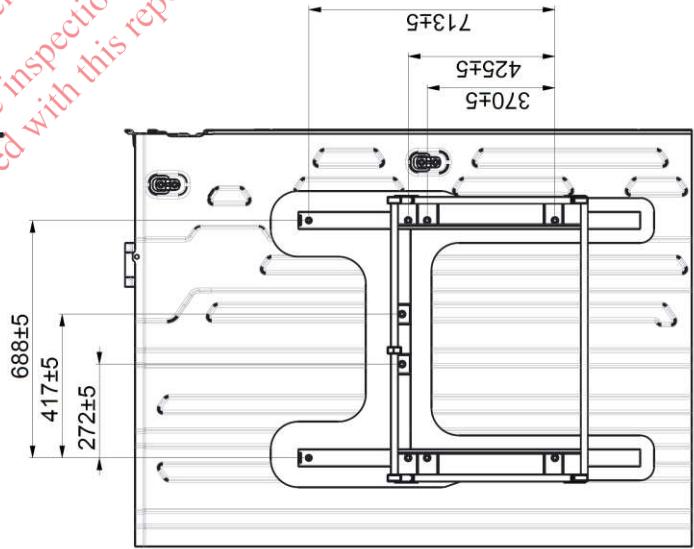
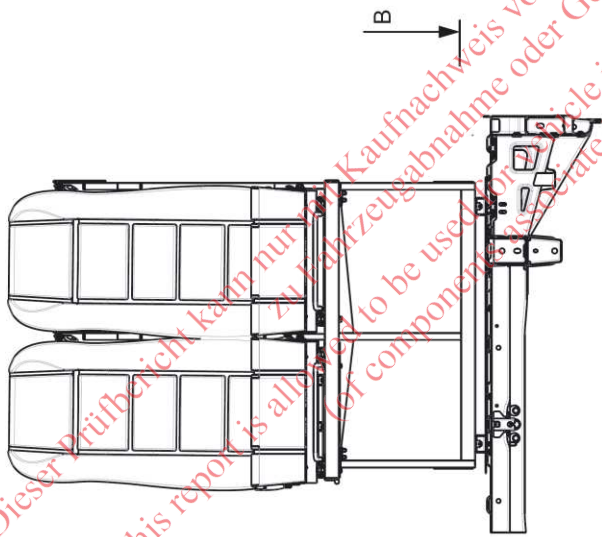
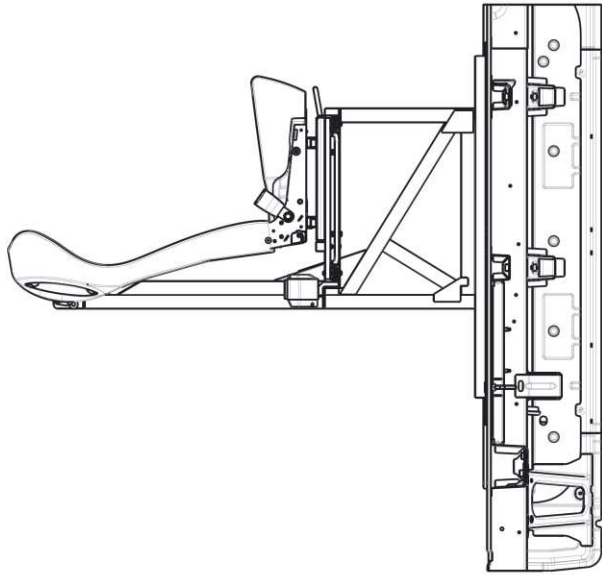


	Model/Průběh by K. TZYWA Zkušební/průběh Approved by P. Odrzemek	Date/Plat 25-Oct-21 Revize/Sheet 1/6
RAM02 on fixation plate PM-RAM02-01 to the vehicle 14-01-RAM02-01		

Dieser Prüfbericht kann nur mit Zustimmung von Freizet WITTIKE GmbH (Komponenten aus diesem Prüfbericht) zu Fahrzeugabnahme (zur Genehmigungszwecken verwendet werden).
 This report is allowed to be used for vehicle inspection or registration purposes only with proof of purchase (of components provided with this report) from Freizet WITTIKE GmbH.

In case of use of underfloor reinforcement UWP-01 additional nut M10 and washer Ø10 should be applied.





Remark:
 Double seat frame RAM02 can be mounted forward or
 backward in the direction of drive

	Created by: K. Trzyńka	Date/Date: 25-Oct-21
	Checked/checked/Approved by: P. Olszaniek	Drawing Sheet: 2/6

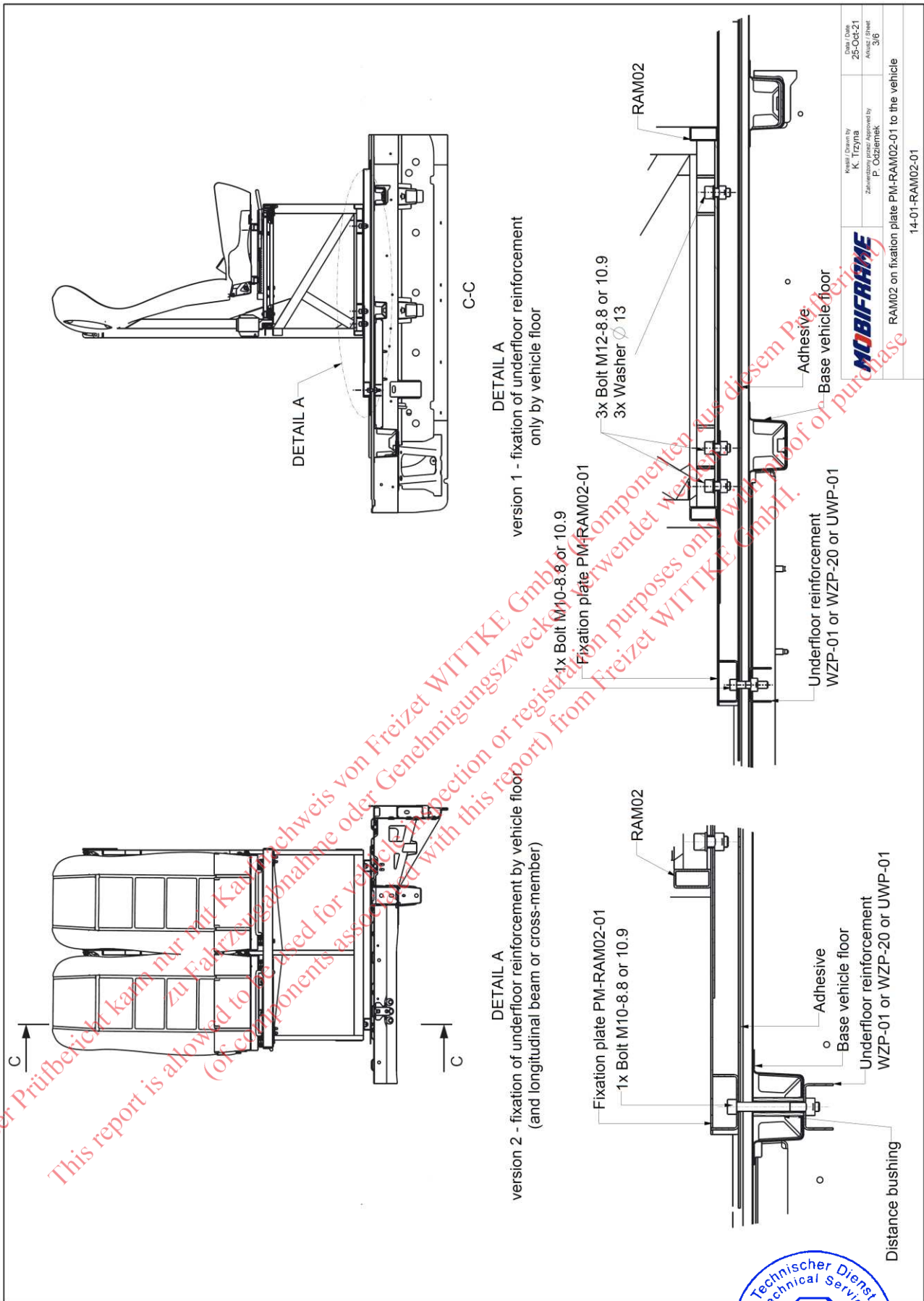
RAM02 on fixation plate PM-RAM02-01 to the vehicle

14-01-RAM02-01

B-B



Dieser Prüfbericht kann nur als Kaufnachweis von Freizeit WITTIKE GmbH (Komponenten aus diesem Prüfbericht)
 This report is allowed to be used for vehicle inspection or registration purposes only with proof of purchase
 of components associated with this report) from Freizeit WITTIKE GmbH.

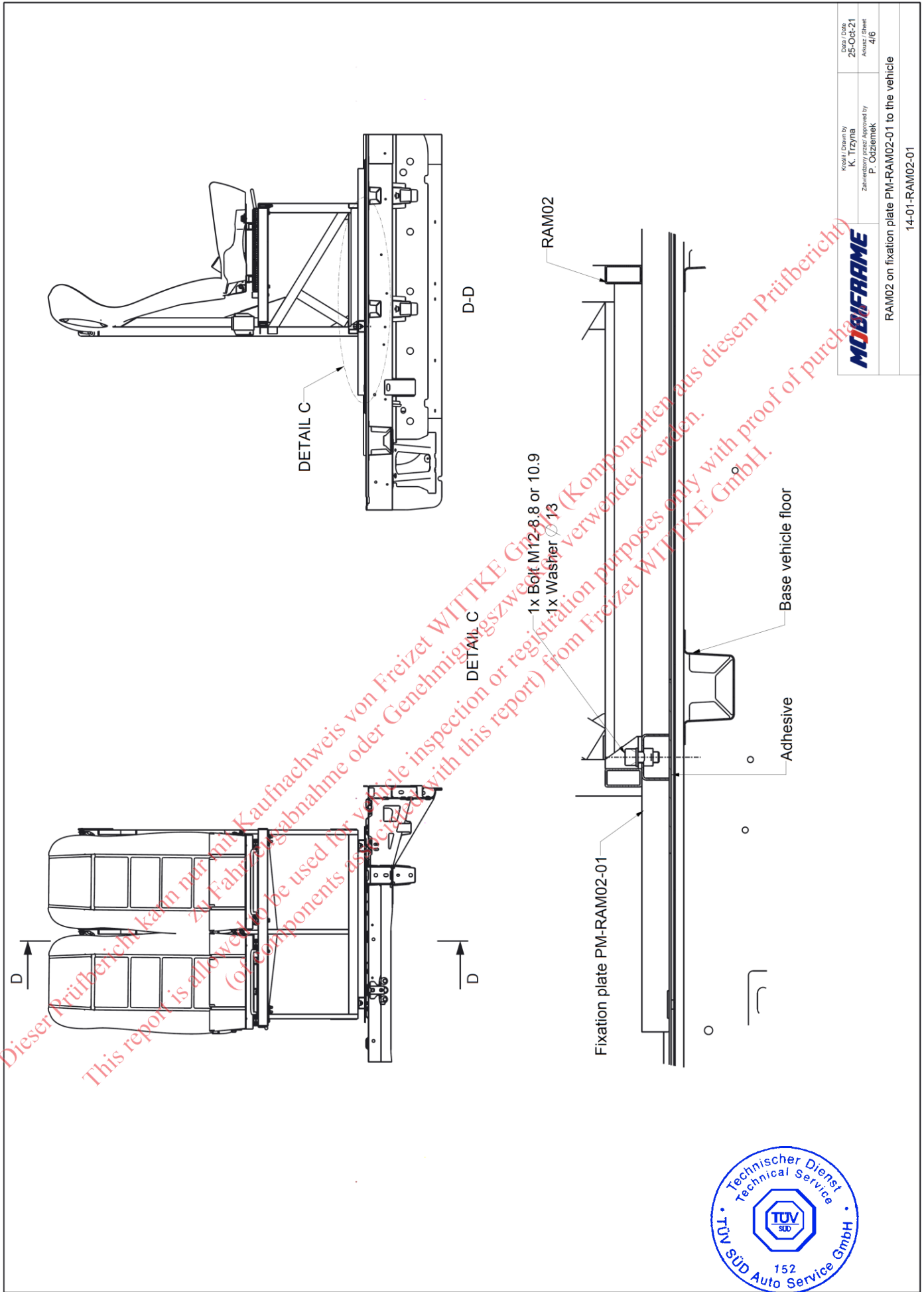


	Projekt / Drawn by K. Trzyna Zeichnung / Drawn by P. Oziemka	Date / Datum 25-Oct-21 Anzahl / Sheet 3/6
RAM02 on fixation plate PM-RAM02-01 to the vehicle 14-01-RAM02-01		

Dieser Prüfbericht kann nur mit Kartenschweis von Freizet WITTIKE GmbH (Komponenten aus diesem Prüfbericht)
 zu Fahrzeugabnahme oder Genehmigungszwecken verwendet werden. This report is allowed to be used for vehicle inspection or registration purposes only with proof of purchase
 (of components associated with this report) from Freizet WITTIKE GmbH.

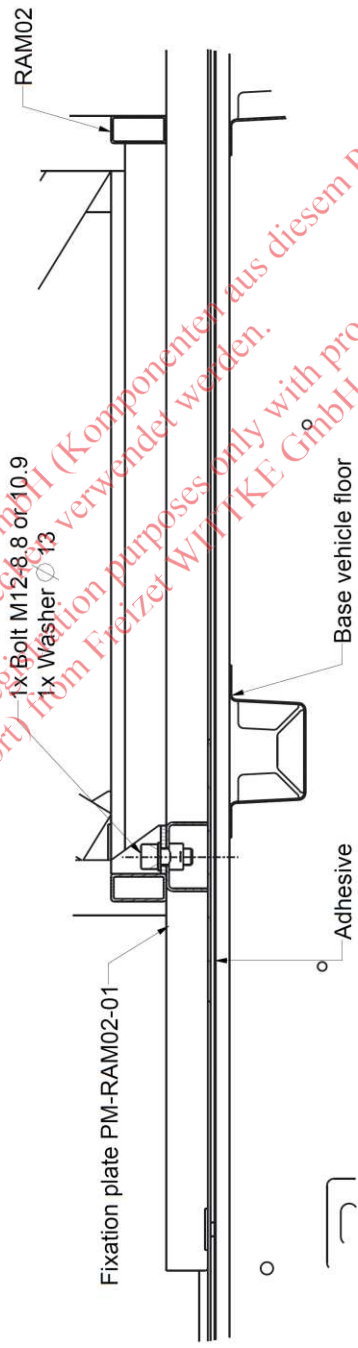
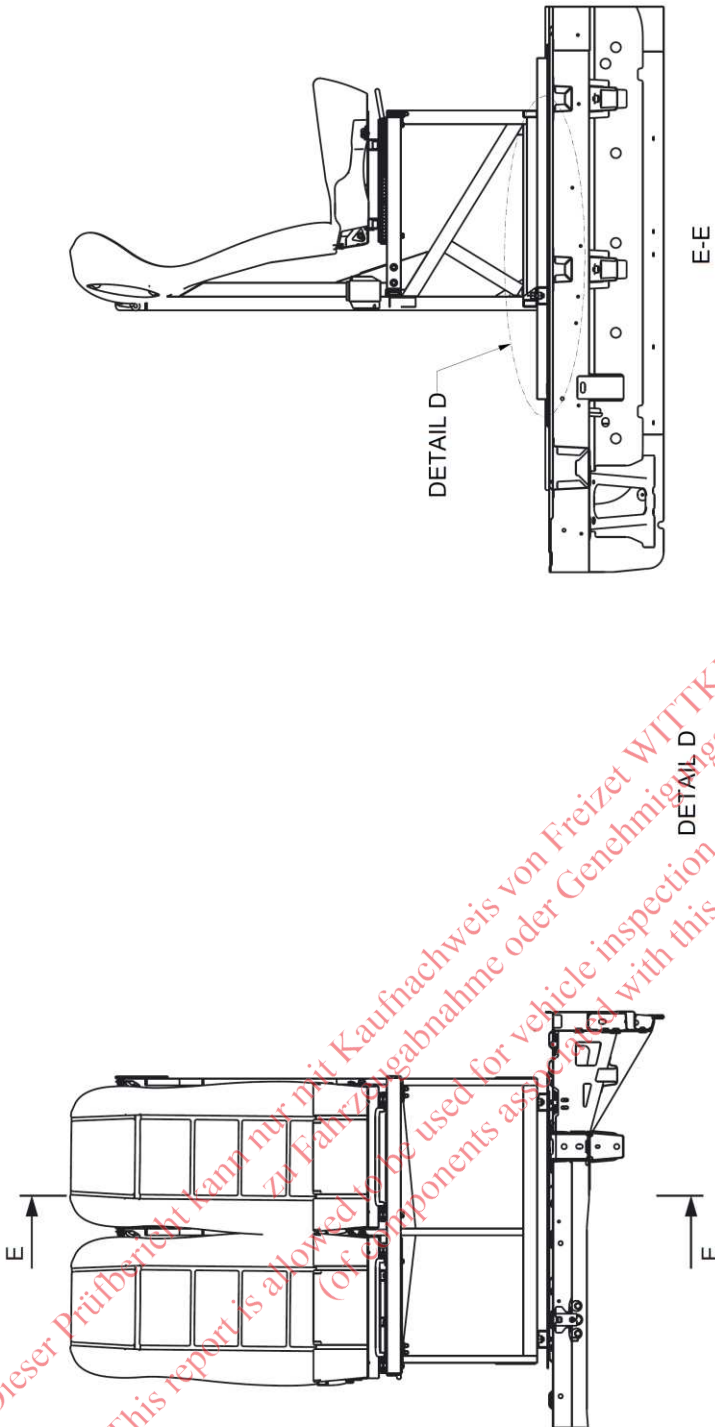
In case of use of underfloor reinforcement UWP-01 additional nut M10 and washer Ø10 should be applied.





Kessel / Drawn by K. Titz/MA	Date / Date 25-Oct-21
Zeichner / Drawn / Approved by P. Odebrenek	Anzahl / Sheet 4/6
RAM02 on fixation plate PM-RAM02-01 to the vehicle	
14-01-RAM02-01	





Kreslí / Drawn by K. Trzyna	Stan / Date 25-Oct-21
Zpracoval / Approved by P. Ozdemek	Aranz / Sheet 3/6

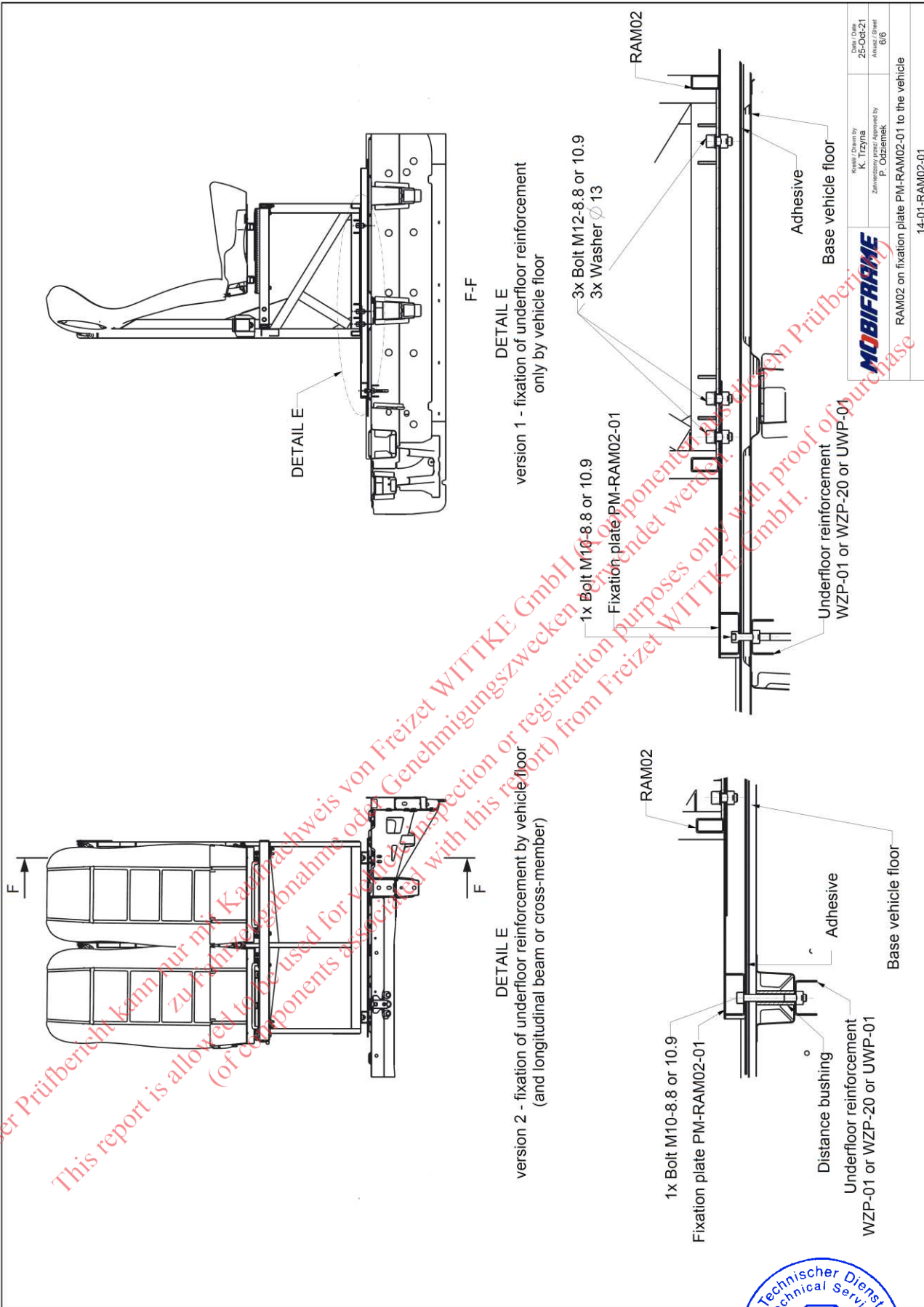


RAM02 on fixation plate PM-RAM02-01 to the vehicle

14-01-RAM02-01

Dieser Prüfbericht kann nur mit Kaufnachweis von Freizeit WITTIKE GmbH (Komponenten aus diesem Prüfbericht) zu Fahrzeugabnahme oder Genehmigungszwecken verwendet werden.
 This report is allowed to be used for vehicle inspection or registration purposes only with proof of purchase (of components associated with this report) from Freizeit WITTIKE GmbH.





In case of use of underfloor reinforcement UWP-01 additional nut M10 and washer \varnothing 10.5 should be applied.

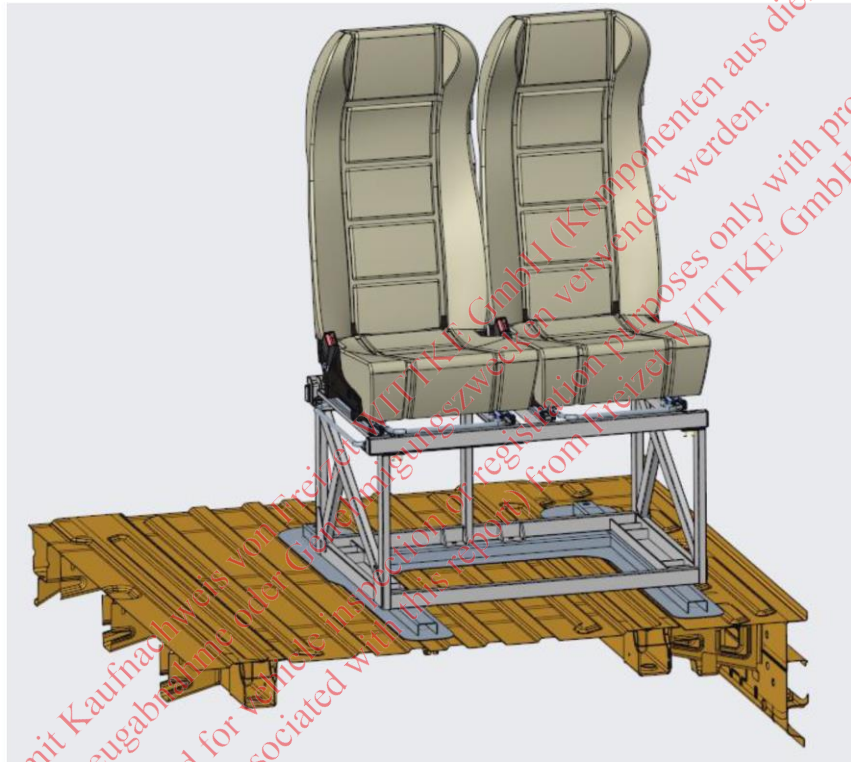


MOBIFRAME

Devices for comfort and safetiness

Installation guide:

Fixation of RAM02 to the vehicle floor



Dieser Prüfbericht kann nur mit Kaufnachweis vom Hersteller WITTIKE GmbH (Komponenten aus diesem Prüfbericht) zu Fahrzeugabnahme oder Zulassungszwecken verwendet werden.
This report is allowed to be used for vehicle inspection purposes only with proof of purchase (of components associated with this report) from WITTIKE GmbH.



MOBIFRAME		Date: 16.09.2022
	MOBIFRAME/04/2022-00	Page / pages: 44/109

Step 1. Preparation of the vehicle body and fixation plate

Clean vehicle floor before installation. Surface must be clean, dry and free from all traces of grease, oil and dust. Use Betaclean (cleaner) to degrease the vehicle's floor and the bottom side of the fixation plate.



Dieser Prüfbericht kann nur mit Kaufnachweis von Freizet WITTKI GmbH (Komponenten aus diesem Prüfbericht) zu Fahrzeugabnahme oder Genehmigungszwecken verwendet werden.
This report is allowed to be used for vehicle inspection or registration purposes only with proof of purchase (of components associated with this report) from Freizet WITTKI GmbH.



MOBIFRAME		Date: 16.09.2022
	MOBIFRAME/04/2022-00	Page / pages: 45/109

Step 2. Primmering

Apply Betaprime on the vehicle's floor and also on bottom side of the fixation plate. Primer can be applied with a brush or roller. Contact surfaces (of vehicle floor and fixation plate) must be covered by Betaprime.



Dieser Prüfbericht kann nur mit Kaufnachweis von Pretzel WITKE GmbH (Komponenten aus diesem Prüfbericht) zu Fahrzeugnahme oder Genehmigungs- oder Registrierungs-zwecken verwendet werden.
This report is allowed to be used for vehicle inspection or registration purposes only with proof of purchase (of components associated with this report) from Pretzel WITKE GmbH.

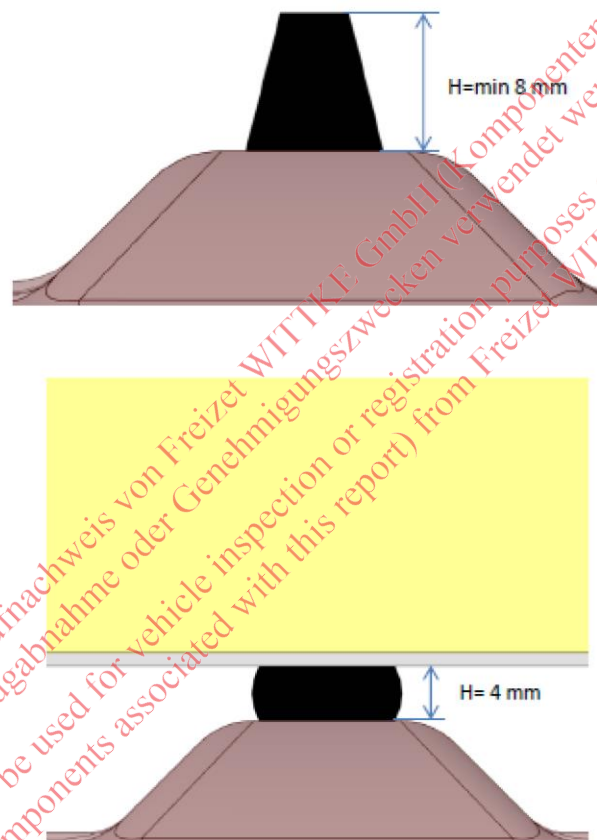


MOBIFRAME		Date: 16.09.2022
	MOBIFRAME/04/2022-00	Page / pages: 46/109

Step 3. Gluing

Don't walk on the primered surfaces. Use a piece of carton for protection. Apply Betamate glue on raised floor ribs of vehicle floor in the place where the bench is attached. Primer should be dry. The adhesive must be applied on the surfaces coated previously by Betaprime.

Recommended glue bead



Dieser Prüfbericht kann nur mit Kaufnachweis von Freizeit WITTIKE GmbH (Komponenten aus diesem Prüfbericht) zu Fahrzeugabnahme oder Genehmigungszwecken verwendet werden.
This report is allowed to be used for vehicle inspection or registration purposes only with proof of purchase (of components associated with this report) from Freizeit WITTIKE GmbH.

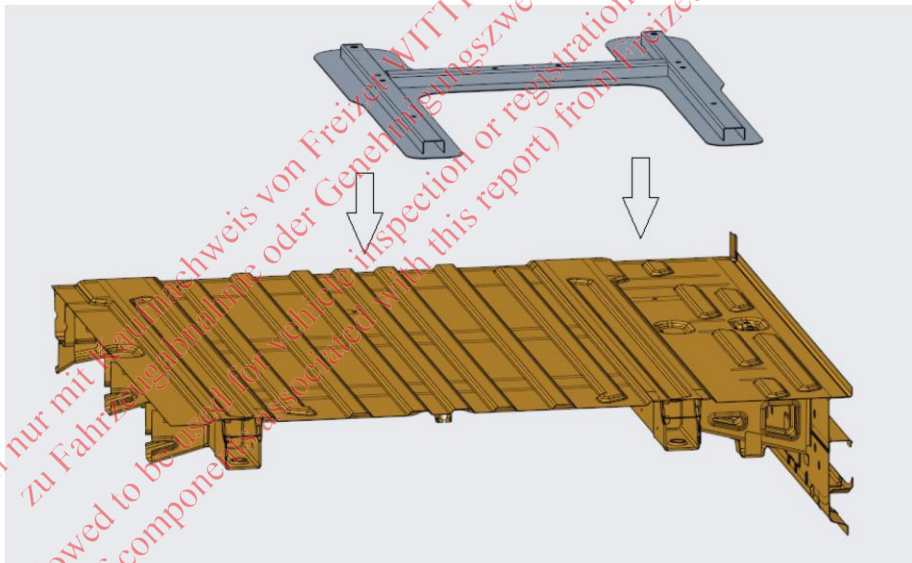


MOBIFRAME

Devices for comfort and safetiness



Place and glue the fixation plate to the desired location on the vehicle floor. Leave the floor for at least 24 h. Don't walk on the fixation plate and don't move the vehicle.



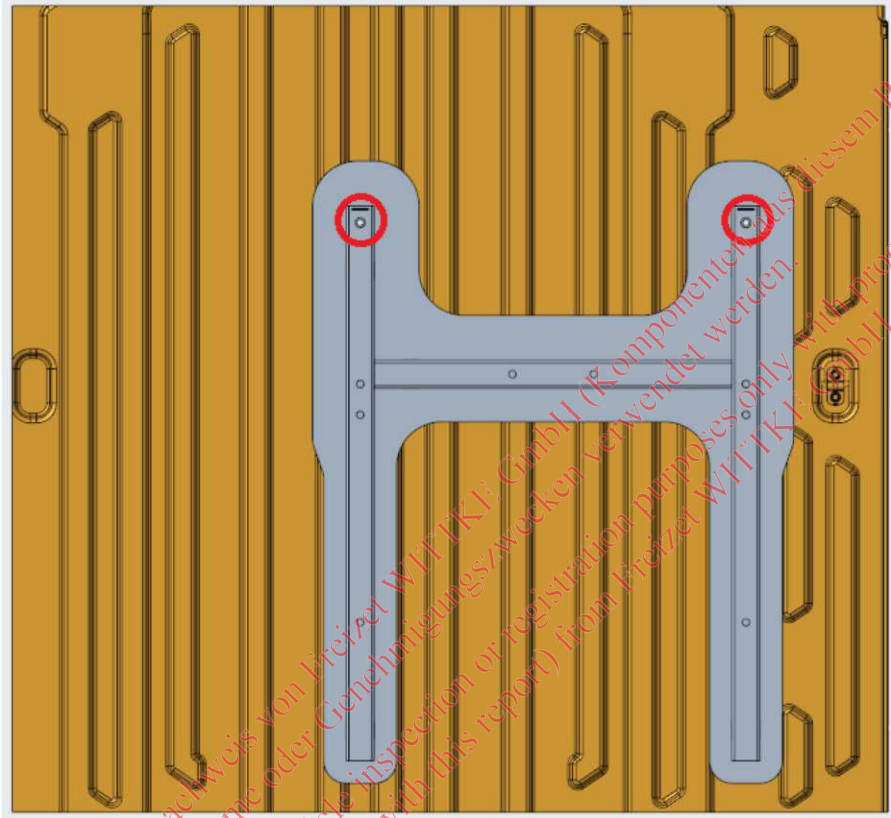
Dieser Prüfbericht kann nur mit Zustimmung von Freizeithilfen WITTKAMP GmbH (Komponenten aus diesem Prüfbericht) zu Fahrzeugübernahme oder Genehmigungszwecken verwendet werden.
This report is allowed to be used for vehicle inspection or registration purposes only with prior of purchase (of components associated with this report) from Freizeit WITTKAMP GmbH.



MOBIFRAME		Date: 16.09.2022
	MOBIFRAME/04/2022-00	Page / pages: 48/109

Step 4. Underfloor reinforcements

Drill holes $\phi 11$ in the vehicle floor according existing holes in fixation plate.

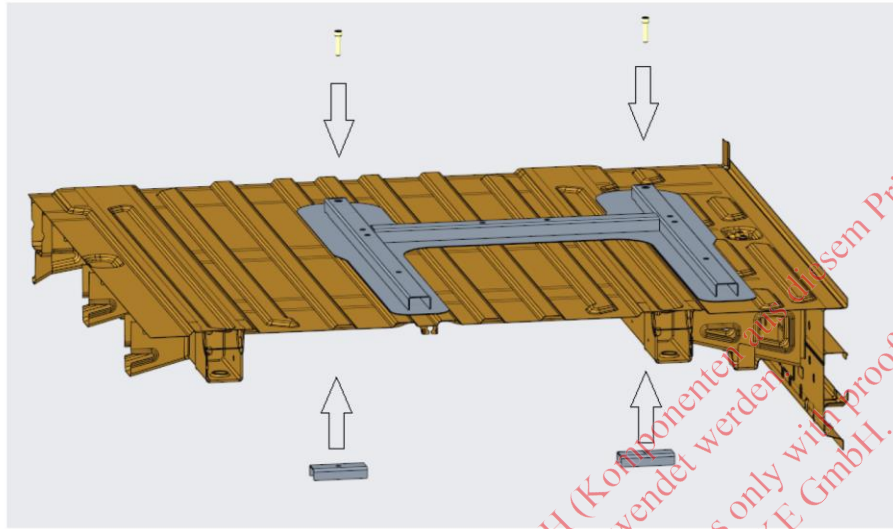


Dieser Prüfbericht kann nur mit Kaufnachweis von Freizeit WITTKI GmbH (Komponenten aus diesem Prüfbericht) zu Fahrzeugabnahme oder Genehmigungszwecken verwendet werden.
This report is allowed to be used for vehicle inspection or registration purposes only with proof of purchase (of components associated with this report) from Freizeit WITTKI GmbH.



MOBIFRAME

Devices for comfort and safetiness



Screw the underfloor reinforcements. Tightening torque 30 Nm. Use liquid anaerobic glue to secure the bolts.

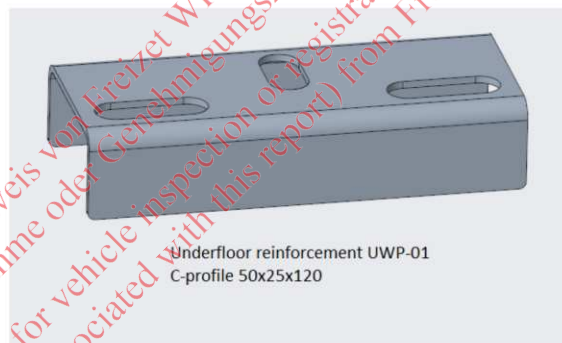
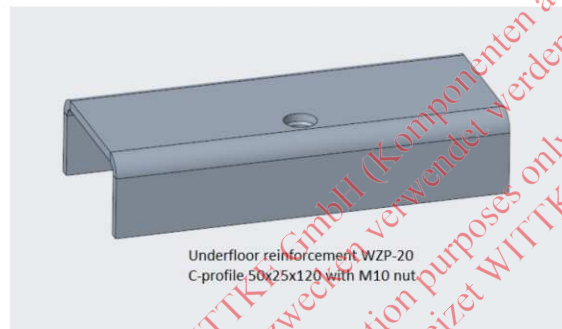
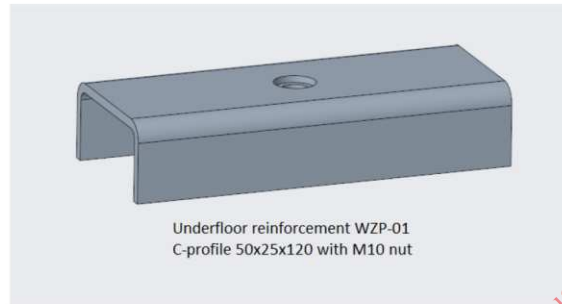
Dieser Prüfbericht kann nur mit Kaufnachweis von Freizet WITTIKE GmbH (Komponenten) zu Fahrzeugabnahme oder Genehmigungszwecken verwendet werden. (of components associated with this report) from Freizet WITTIKE GmbH. (This report is allowed to be used for vehicle inspection or registration purposes only with proof of purchase)



MOBIFRAME		Date: 16.09.2022
	MOBIFRAME/04/2022-00	Page / pages: 50/109

MOBIFRAME

Devices for comfort and safetiness



Underfloor reinforcement can be rotated by 90 degrees. Put the rubber blank plugs into the installation holes.

Dieser Prüfbericht kann nur mit Kaufnachweis von Freizet WITTIKE GmbH (Komponenten aus diesem Prüfbericht) zu Fahrzeugabnahme oder Genehmigungszwecken verwendet werden.
This report is allowed to be used for vehicle inspection or registration purposes only with proof of purchase (of components associated with this report) from Freizet WITTIKE GmbH.



MOBIFRAME		Date: 16.09.2022
	MOBIFRAME/04/2022-00	Page / pages: 51/109

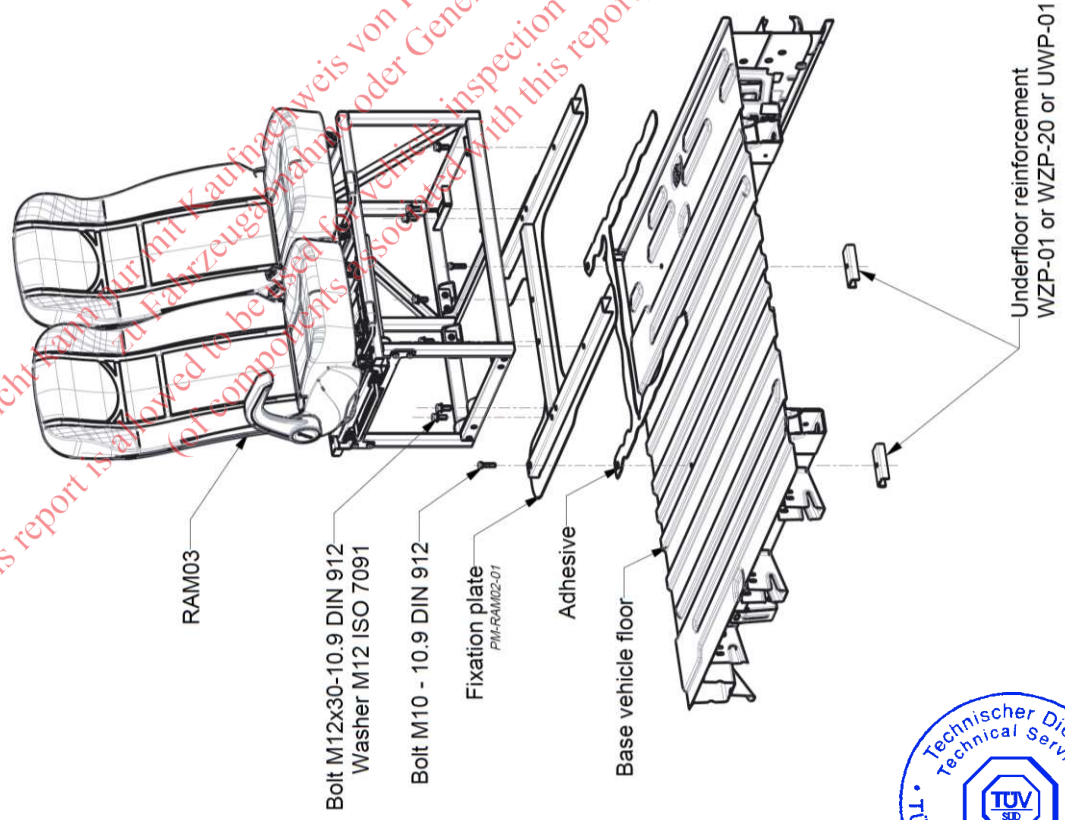
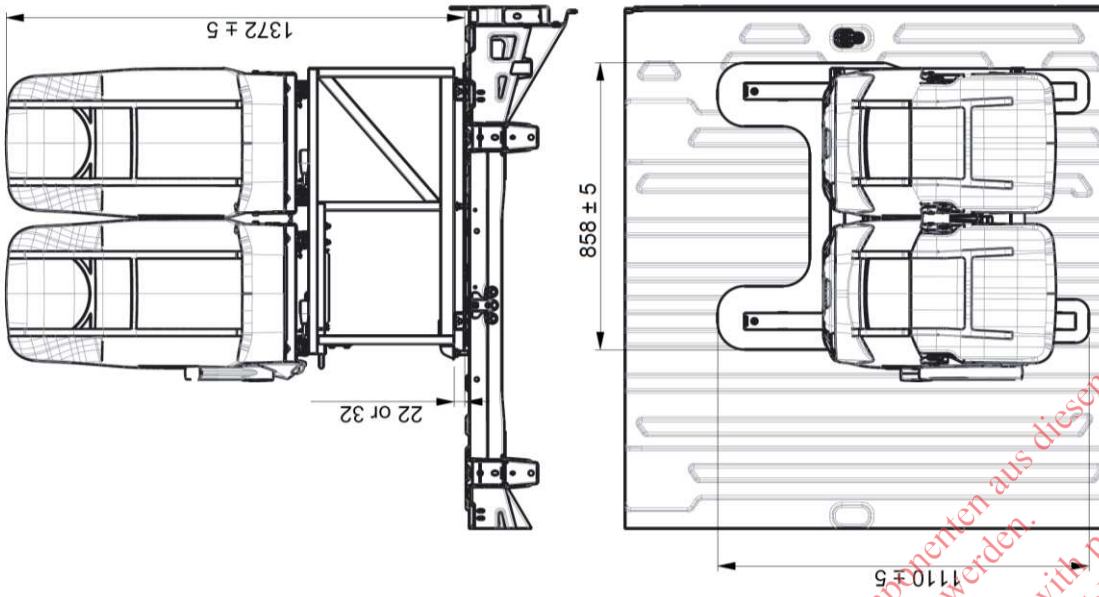
RAM03:

(see next pages)

Dieser Prüfbericht kann nur mit Kaufnachweis von Freizet WITTKÉ GmbH (Komponenten aus diesem Prüfbericht)
zu Fahrzeugabnahme oder Genehmigungszwecken verwendet werden.
This report is allowed to be used for vehicle inspection or registration purposes only with proof of purchase
(of components associated with this report) from Freizet WITTKÉ GmbH.



MOBIFRAME		Date: 16.09.2022
	MOBIFRAME/04/2022-00	Page / pages: 52/109



Date / Date
13-Sep-22
Arbeits / Sheet
1/3

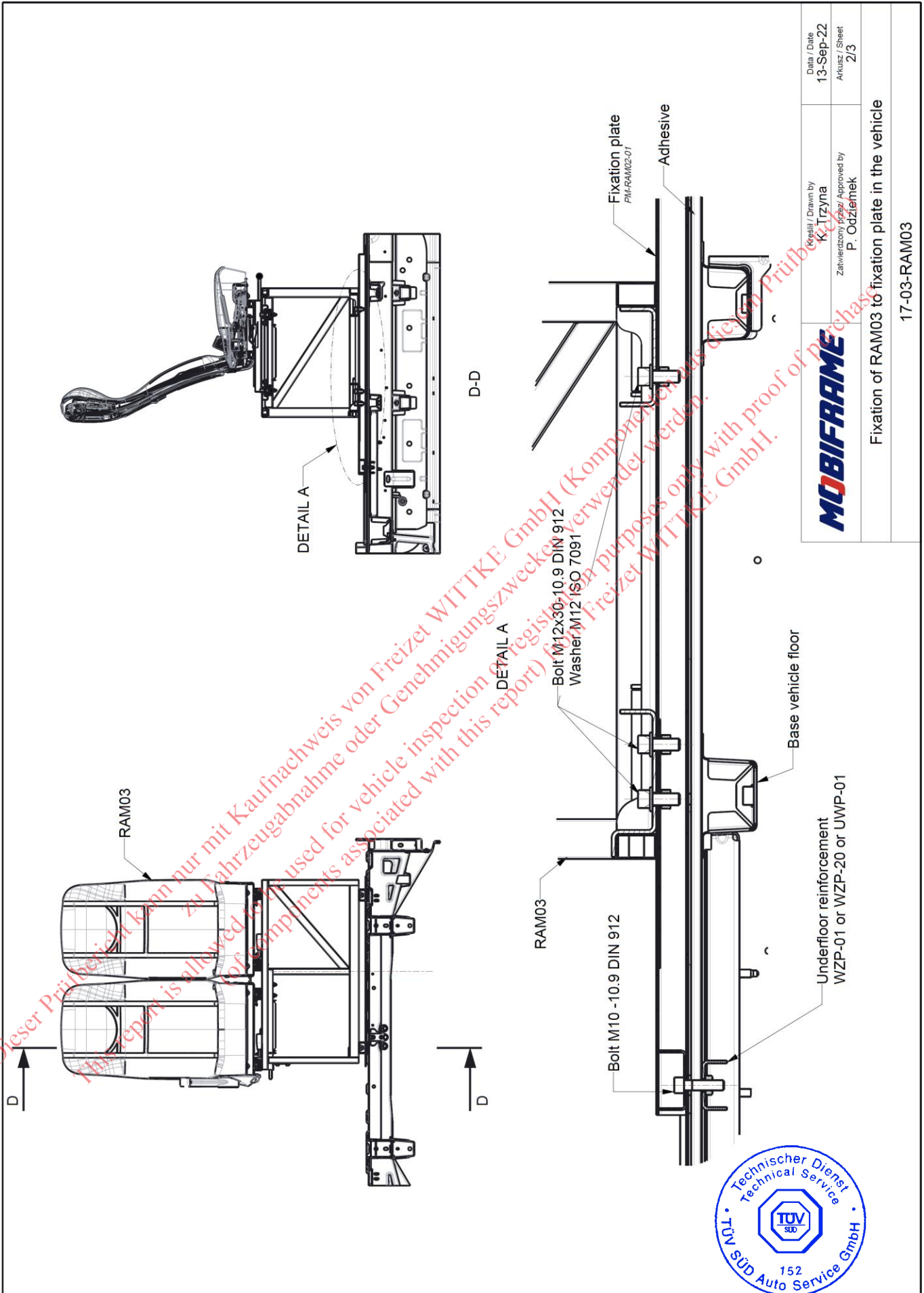
Kreiert / Drawn by
K. Trzyna
Zugelassen / Issued / Approved by
P. Odziemek



Fixation of RAM03 to fixation plate in the vehicle

17-03-RAM03

Dieser Prüfbericht darf nur mit Zustimmung von Freizet WITTIKE GmbH (Komponenten aus diesem Prüfbericht) zu Fahrzeugbau- oder Genehmigungszwecken verwendet werden.
This report is allowed to be used for vehicle inspection or registration purposes only with proof of purchase (all components associated with this report) from Freizet WITTIKE GmbH.

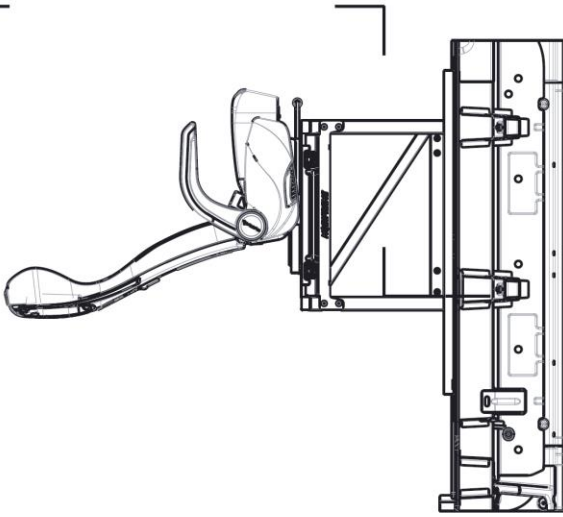


MOBIFRAME	Kreiert / Drawn by K. Trzyna	Data / Date 13-Sep-22
	Zatwierdzony przez / Approved by P. Odziemek	Arkuszy / Sheet 2/3
Fixation of RAM03 to fixation plate in the vehicle		
17-03-RAM03		

Dieser Prüfbericht kann nur mit Kaufnachweis von Freizeit WITTKÉ GmbH (Komponenten) verwendet werden.
 This report is allowed to be used for vehicle inspection or registration purposes only with proof of purchase.
 This report is allowed to be used for vehicle inspection or registration purposes only with proof of purchase.
 This report is allowed to be used for vehicle inspection or registration purposes only with proof of purchase.



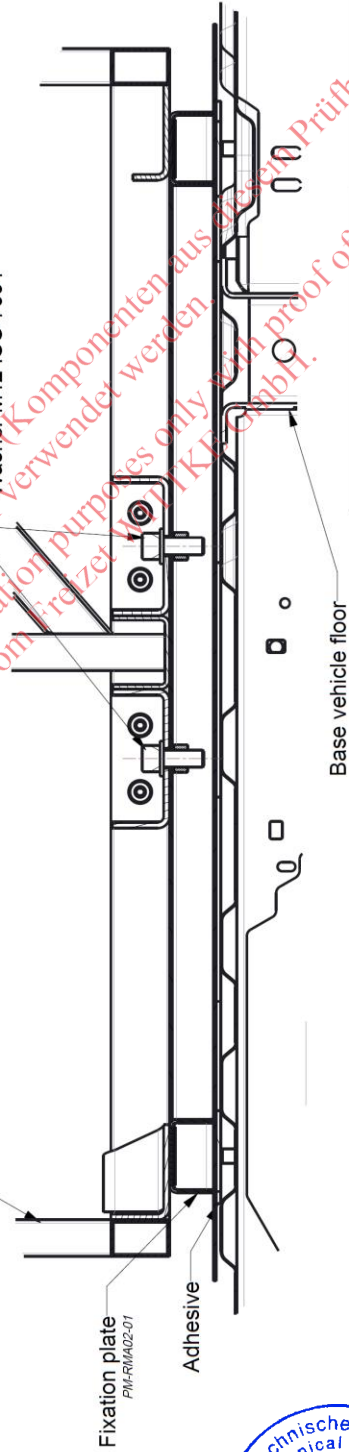
E



E

Bolt M12x30 - 10.9 DIN 912
Washer M12 ISO 7091

DETAIL B



Kreuzill / Drawn by

K. Trzyna

Date / Date
13-Sep-22

Zatwierdzony przez / Approved by

P. Odziemek

Arkusz / Sheet
3/3

MOBIFRAME

Fixation of RAM03 to fixation plate in the vehicle

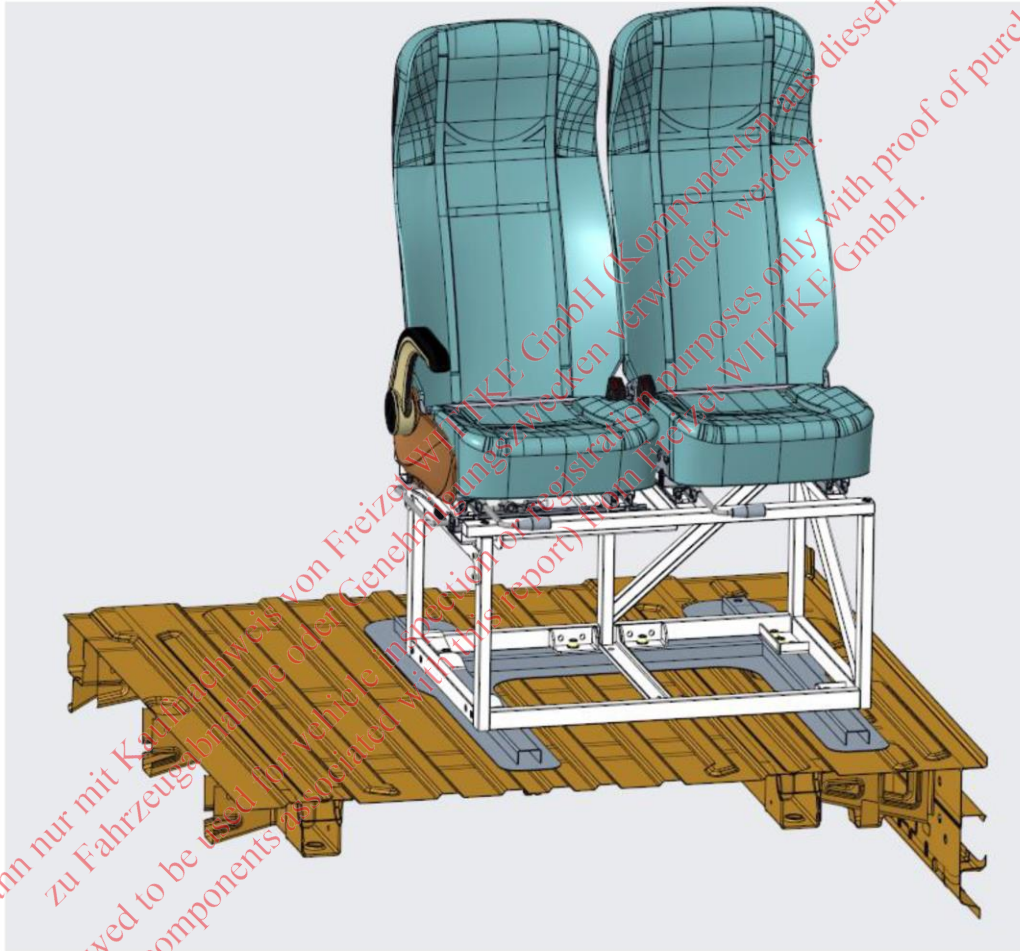
17-03-RAM03

Dieser Prüfbericht kann nur mit Kaufnachweis von Freizet WITTKE GmbH (Komponenten aus diesem Prüfbericht) für Fahrzeugabnahme oder Genehmigungszwecken verwendet werden. This report is allowed to be used for vehicle inspection or registration purposes only with proof of purchase from Freizet WITTKE GmbH.



Installation guide:

Fixation of RAM03 to the vehicle floor



Dieser Prüfbericht kann nur mit Genehmigung von Freizeitsport-WITTKF GmbH (Komponenten aus diesem Prüfbericht) zu Fahrzeugen, Booten oder Genehmigungsarten verwendet werden.
This report is allowed to be used for vehicle registration purposes only with proof of purchase (of components installed with this report) from Freizeitsport-WITTKF GmbH.



Step 1. Preparation of the vehicle body and fixation plate

Clean vehicle floor before installation. Surface must be clean, dry and free from all traces of grease, oil and dust. Use Betaclean (cleaner) to degrease the vehicle's floor and the bottom side of the fixation plate.



Dieser Prüfbericht kann nur mit Kaufnachweis von Freizeif WITTIKE GmbH (Komponenten aus diesem Prüfbericht) zu Fahrzeugabnahme oder Genehmigungszwecken verwendet werden.
This report is allowed to be used for vehicle inspection or registration purposes only with proof of purchase (of components associated with this report) from Freizeif WITTIKE GmbH



Step 2. Primmering

Apply Betaprime on the vehicle's floor and also on bottom side of the fixation plate. Primer can be applied with a brush or roller. Contact surfaces (of vehicle floor and fixation plate) must be covered by Betaprime.



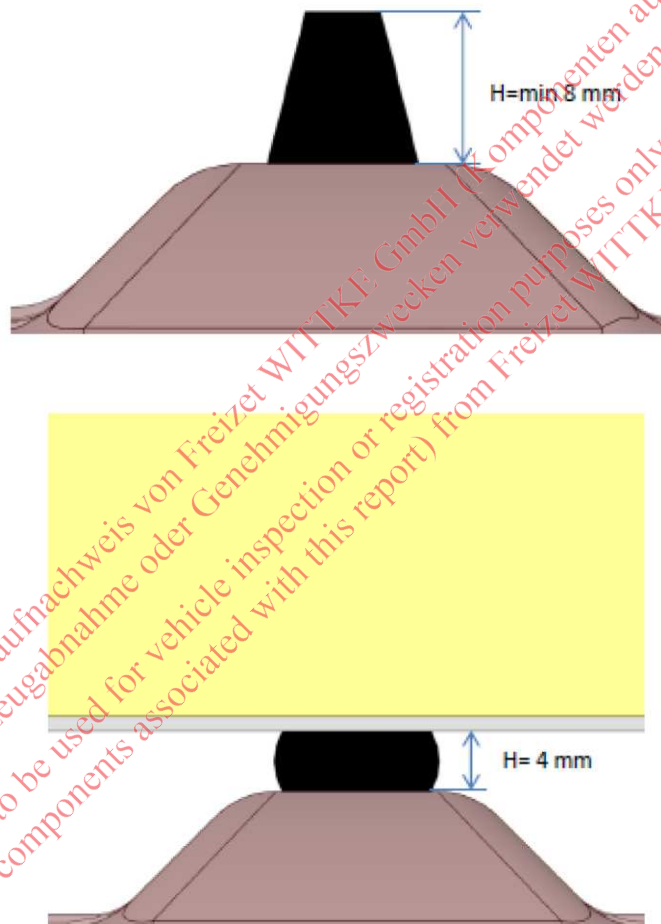
Dieser Prüfbericht kann nur mit Kaufnachweis von Freizeit WITTIKE GmbH (Komponenten aus diesem Prüfbericht) zu Fahrzeugabnahme oder Genehmigungs- oder Registrierungs-zwecken verwendet werden.
This report is allowed to be used for vehicle inspection or registration purposes only with proof of purchase (of components associated with this report) from Freizeit WITTIKE GmbH.



Step 3. Gluing

Don't walk on the primered surfaces. Use a piece of carton for protection. Apply Betamate glue on raised floor ribs of vehicle floor in the place where the bench is attached. Primer should be dry. The adhesive must be applied on the surfaces coated previously by Betaprime.

Recommended glue bead

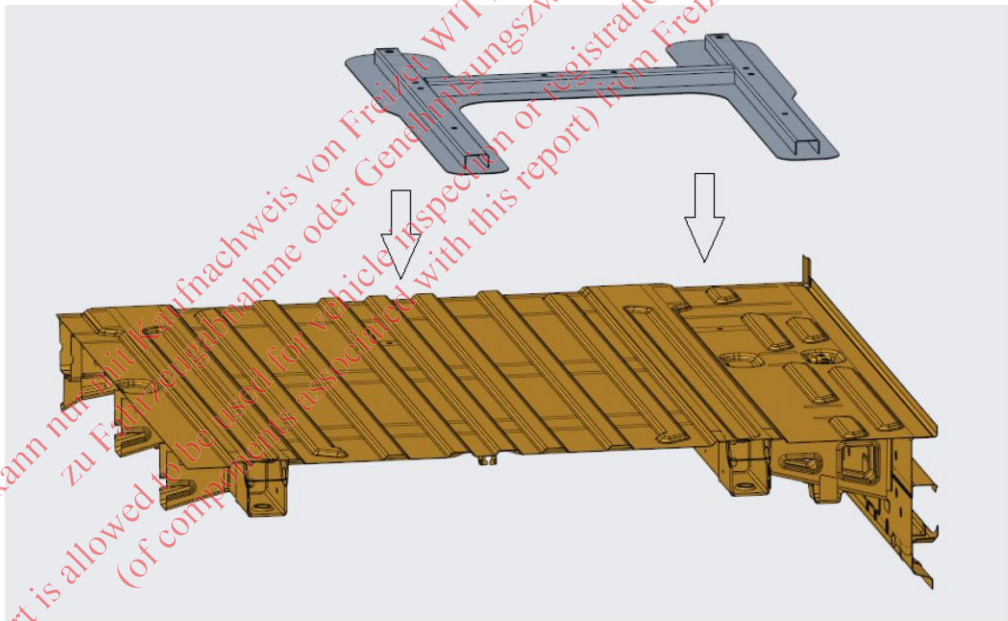


Dieser Prüfbericht kann nur mit Kaufnachweis von Freizet WITTIKE GmbH (Komponenten aus diesem Prüfbericht) zu Fahrzeugabnahme oder Genehmigungszwecken verwendet werden.
This report is allowed to be used for vehicle inspection or registration purposes only with proof of purchase (of components associated with this report) from Freizet WITTIKE GmbH.





Place and glue the fixation plate to the desired location on the vehicle floor. Leave the floor for at least 24 h. Don't walk on the fixation plate and don't move the vehicle.

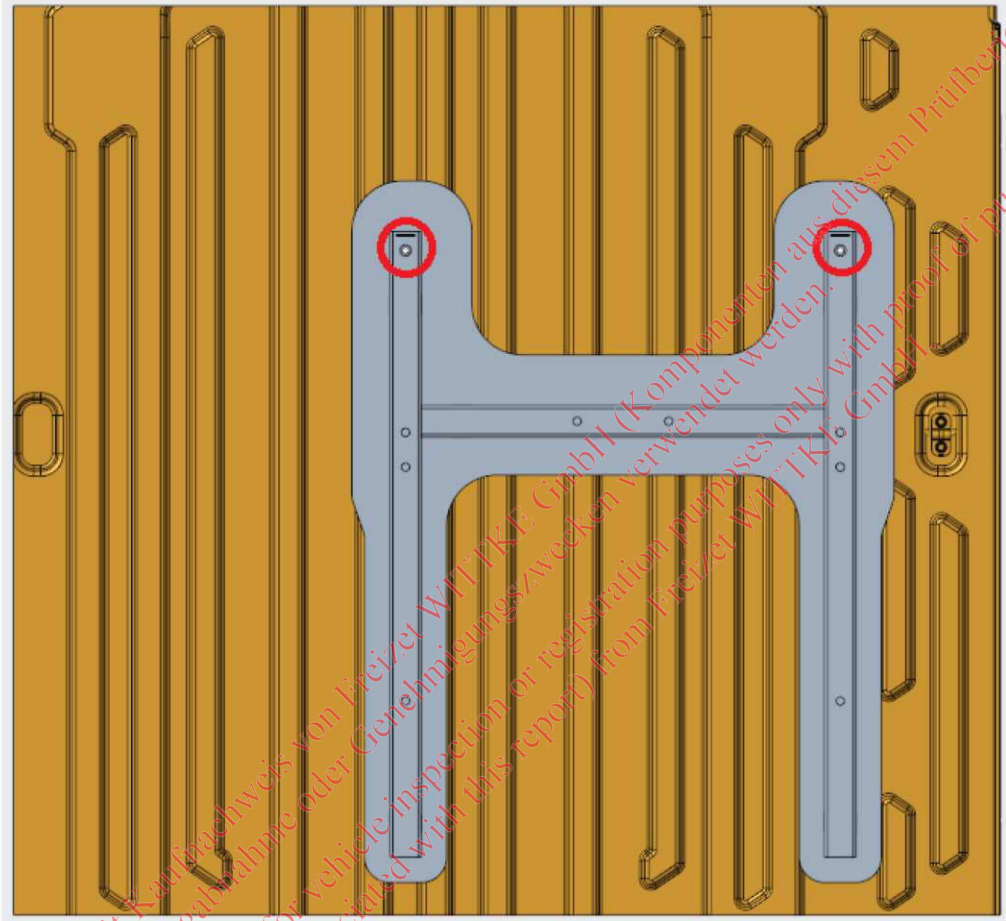


Dieser Prüfbericht kann nur für die Auftragsnummer 152 verwendet werden.
This report is allowed to be used for vehicle inspection or registration purposes only with proof of purchase (of components associated with this report) from Freizeit WITTKI GmbH.



Step 4. Underfloor reinforcements

Drill holes $\phi 11$ in the vehicle floor according existing holes in fixation plate.

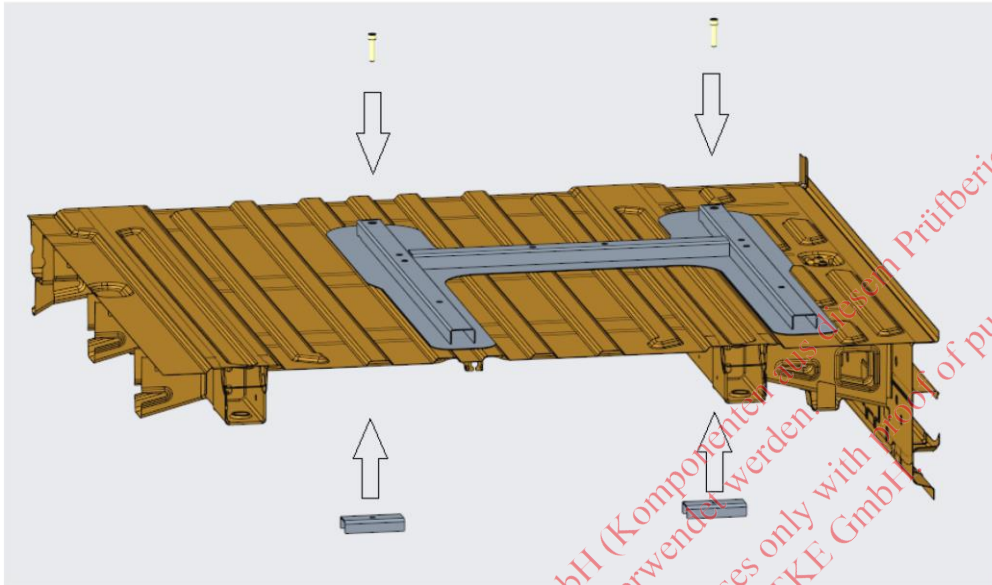


Dieser Prüfbericht kann nur mit Kaufnachweis von Freizer WITKE GmbH (Komponenten aus diesem Prüfbericht) zu Fahrzeugabnahme oder Genehmigungszwecken verwendet werden.
This report is allowed to be used for vehicle inspection or registration purposes only with proof of purchase (of components associated with this report) from Freizer WITKE GmbH.



MOBIFRAME

Devices for comfort and safetiness

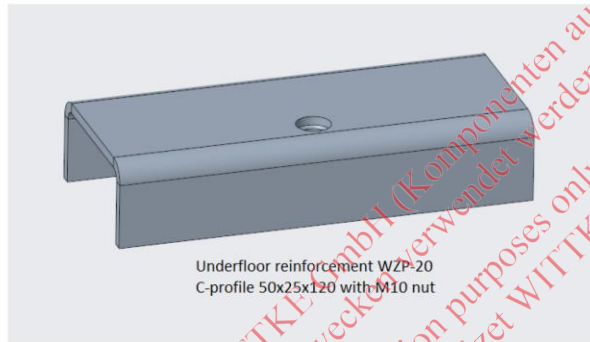
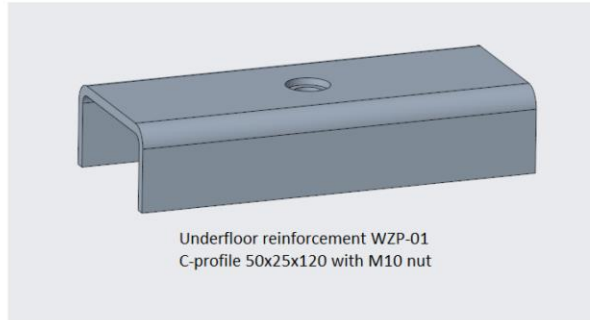


Screw the underfloor reinforcements. Tightening torque 30 Nm. Use liquid anaerobic glue to secure the bolts.

Dieser Prüfbericht kann nur mit Kaufnachweis von Freizet WITTKÉ GmbH (Komponenten) zu Fahrzeugabnahme oder Genehmigungszwecken verwendet werden.
This report is allowed to be used for vehicle inspection or registration purposes only with proof of purchase (of components associated with this report) from Freizet WITTKÉ GmbH.



MOBIFRAME		Date: 16.09.2022
	MOBIFRAME/04/2022-00	Page / pages: 62/109



Underfloor reinforcement can be rotated by 90 degrees. Put the rubber blank plugs into the installation holes.

Dieser Prüfbericht kann nur mit Kaufnachweis von Freizeit WITTIKE GmbH (Komponenten aus diesem Prüfbericht) zur Anzeigabnahme oder Genehmigungszwecken verwendet werden.
This report is allowed to be used for vehicle inspection or registration purposes only with proof of purchase (of components associated with this report) from Freizeit WITTIKE GmbH.



RAM02 and RAM03 fixation components:

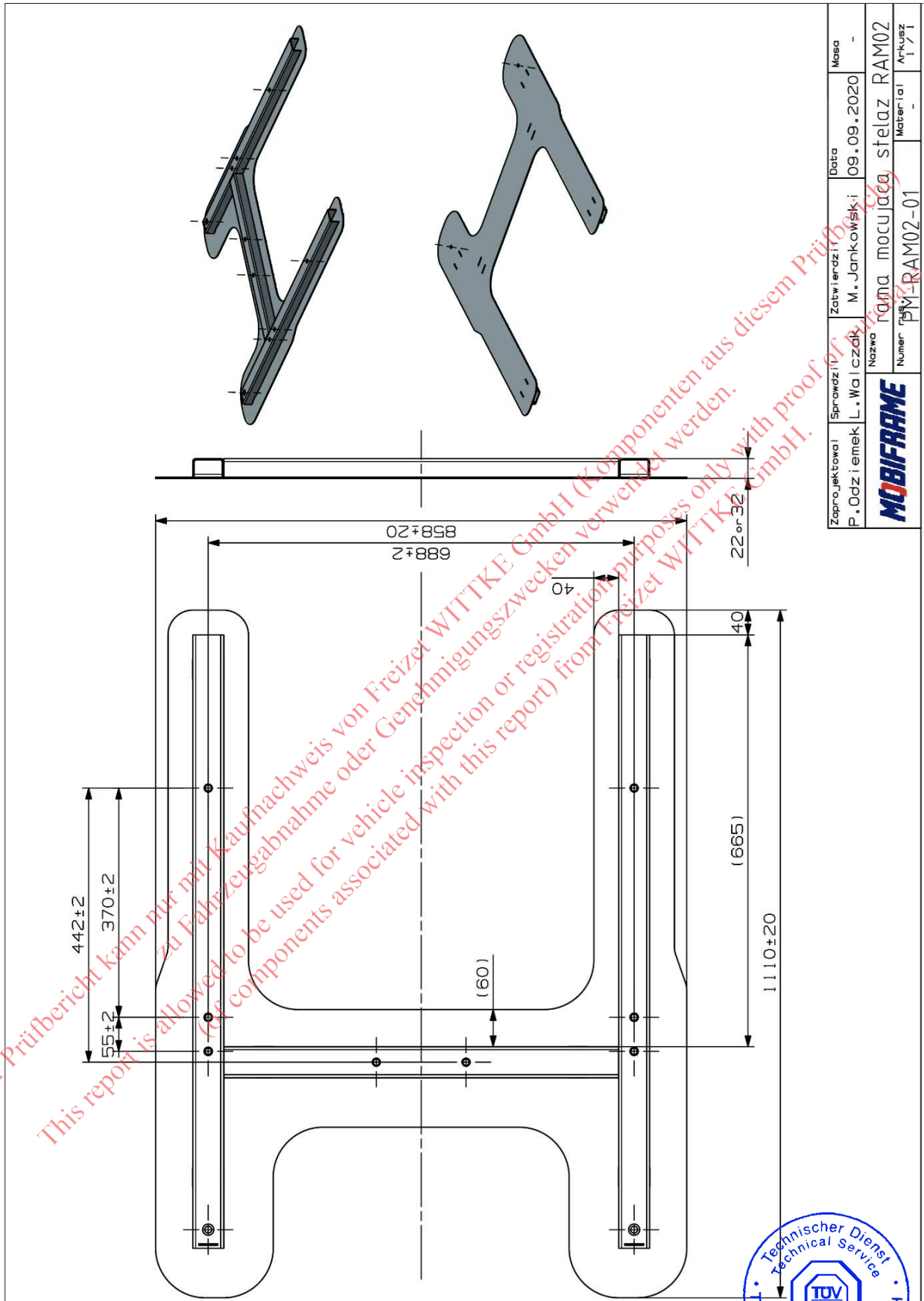
(see next pages)

Dieser Prüfbericht kann nur mit Kaufnachweis von Freizet WITTIKE GmbH (Komponenten aus diesem Prüfbericht)
zu Fahrzeugabnahme oder Genehmigungszwecken verwendet werden.
This report is allowed to be used for vehicle inspection or registration purposes only with proof of purchase
(of components associated with this report) from Freizet WITTIKE GmbH.



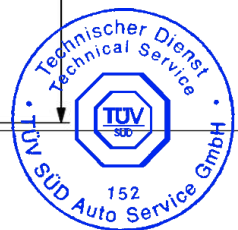
MOBIFRAME		Date: 16.09.2022
	MOBIFRAME/04/2022-00	Page / pages: 64/109

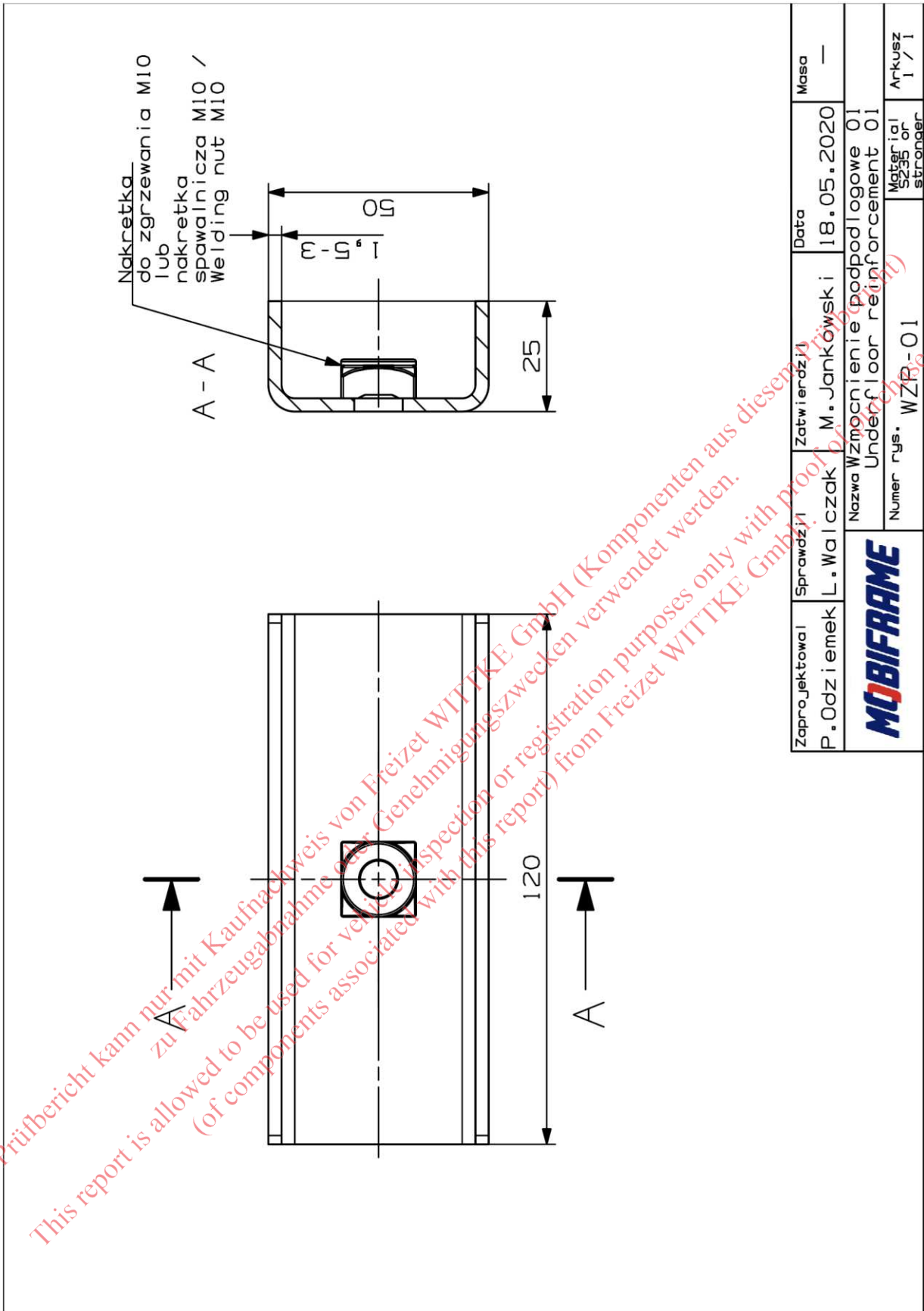
Fixation Plate:



Zaprojektował	Sprawił	Zatwierdził	Data	Masa
P. Odziejmek	L. Walczak	M. Jankowski	09.09.2020	-
Nazwa			Materiał	
ramy mocująca stelaz RAM02			-	
Numer			Ankieta	
PM-RAM02-01			1/1	

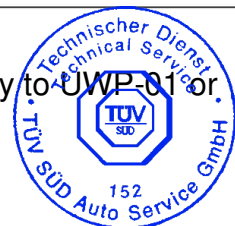
Dieser Prüfbericht kann nur mit Kaufnachweis von Freizeit WITTIKE GmbH (Komponenten aus diesem Prüfbericht) zu Fahrzeugabnahme oder Genehmigungszwecken verwendet werden.
 This report is allowed to be used for vehicle inspection or registration purposes only with proof of purchase from Freizeit WITTIKE GmbH.

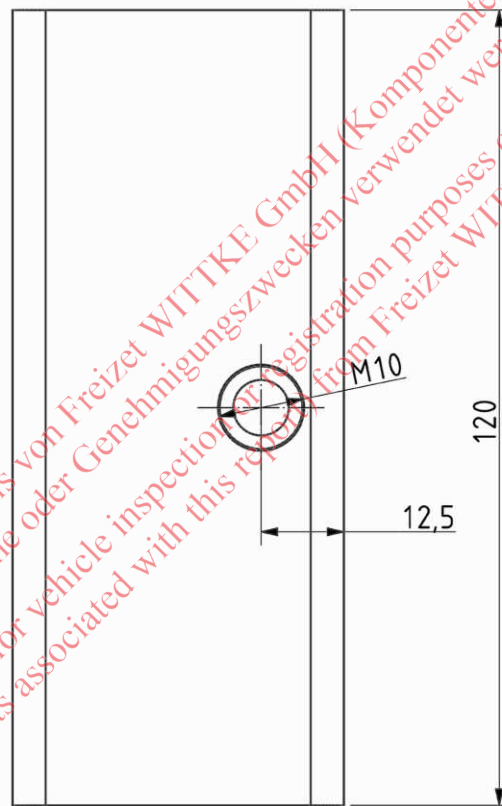
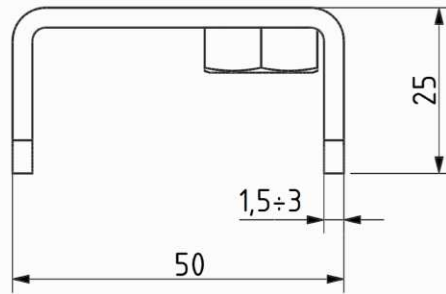
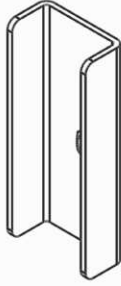




Zaprojektował	Sprawdził	Zatwierdził	Data	Masa
P. Odziejmek	L. Walczak	M. Jankowski	18.05.2020	—
Nazwa Wzmocnienie podpodłogowe 01			Materiał	
Numer rys. WZR-01			S235 or 1 / 1	
MOBIFRAME				

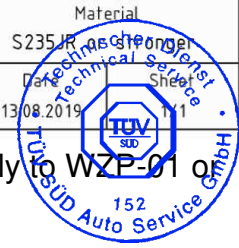
Underfloor reinforcement WZR-01 can be mounted interchangeably to WZR-01 or WZR-20



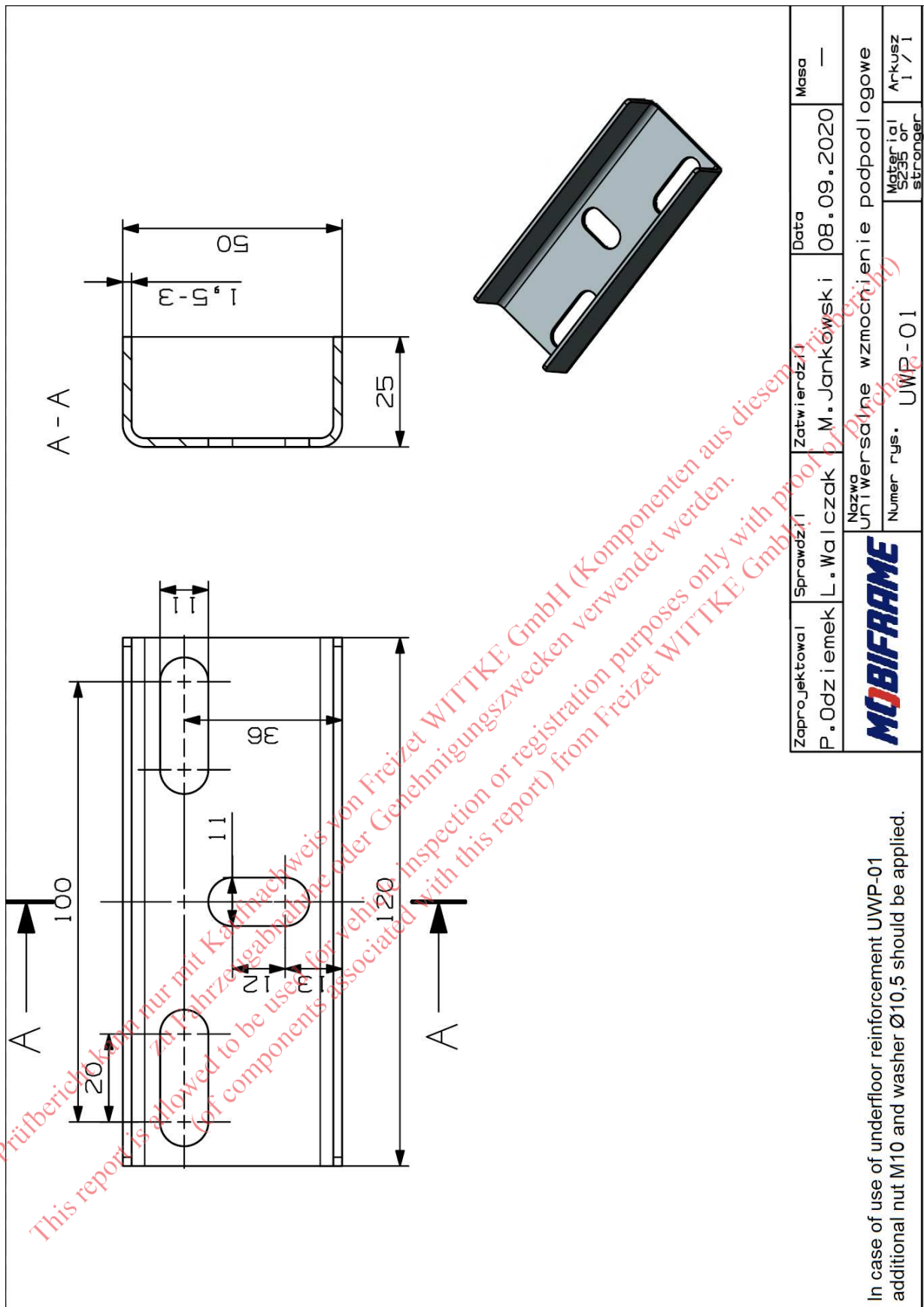


Dieser Prüfbericht kann nur mit Kaufnachweis von Freizet WITTIKE GmbH (Komponenten aus diesem Prüfbericht) zu Fahrzeugabnahme oder Genehmigungszwecken verwendet werden.
 This report is allowed to be used for vehicle inspection or registration purposes only with proof of purchase (of components associated with this report) from Freizet WITTIKE GmbH.

Tolerance class according to DIN 7168	0,5 - 3	3 - 6	6 - 30	30 - 120	120 - 400	400 - 1000	1000 - 2000	2000 - 4000	>4000
Medium	±0,1	±0,1	±0,2	±0,3	±0,5	±0,8	±1,2	±2	±3
Designed by P.D	Checked by		Approved by				Mass [kg] 0,265		
MOBIFRAME	Underfloor reinforcement						Material S235JR		
	WZP-20						Date 13/08/2019		



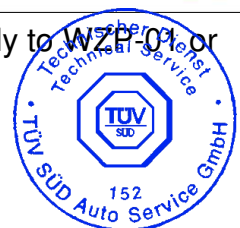
Underfloor reinforcement WZP-20 can be mounted interchangeably to WZP-01 or UWP-01



Zaprojektował	Sprawdził	Zatwierdził	Data	Masa
P. Odziemek	L. Walczak	M. Jankowski	08.09.2020	—
MOBIFRAME			Nazwa	
MOBIFRAME			UNI wersalne wzmocnienie podpodłogowe	
MOBIFRAME			Numer rys.	Material
MOBIFRAME			UWP-01	S235 or 1 / 1
MOBIFRAME			stranger	

In case of use of underfloor reinforcement UWP-01 additional nut M10 and washer Ø10,5 should be applied.

Underfloor reinforcement UWP-01 can be mounted interchangeably to WZP-01 or WZP-20



MOBIFRAME		Date: 16.09.2022
	MOBIFRAME/04/2022-00	Page / pages: 68/109

Enclosure 3: DRAWINGS OF SEATS AND COMPONENTS

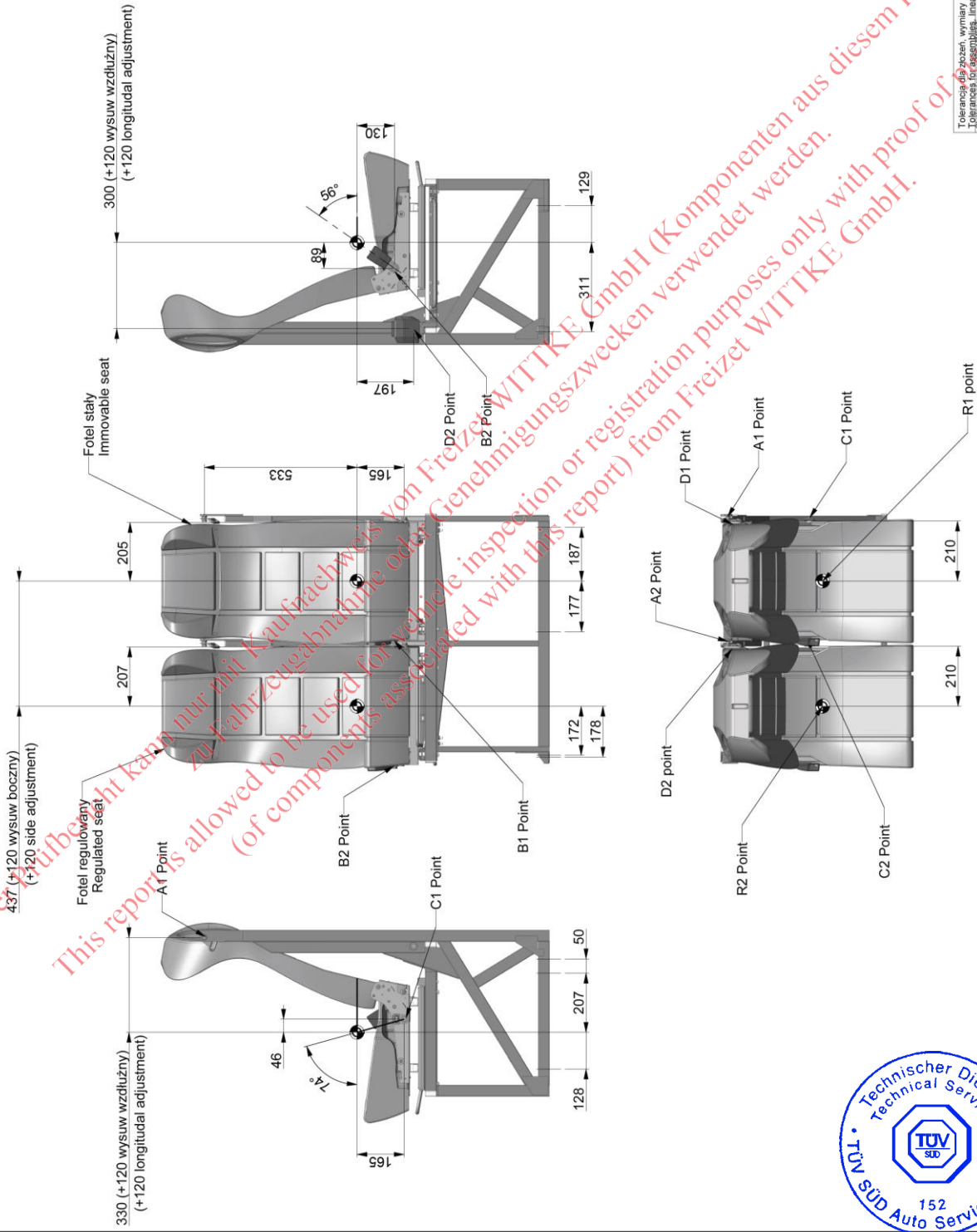
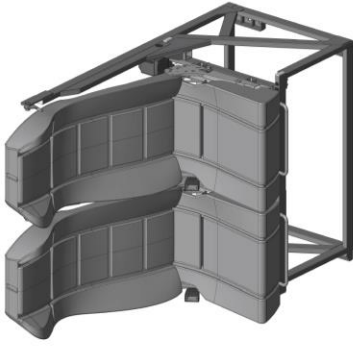
RAM02 – fixation by means of underfloor reinforcements – dedicated for Fiat Ducato/Peugeot Boxer/Citroen Jumper/Opel Movano/RAM ProMaster

(see next pages)

*Dieser Prüfbericht kann nur mit Kaufnachweis von Freizet WITTIKE GmbH (Komponenten aus diesem Prüfbericht) zu Fahrzeugabnahme oder Genehmigungszwecken verwendet werden.
This report is allowed to be used for vehicle inspection or registration purposes only with proof of purchase (of components associated with this report) from Freizet WITTIKE GmbH.*



MOBIFRAME		Date: 16.09.2022
	MOBIFRAME/04/2022-00	Page / pages: 69/109

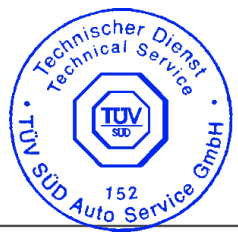


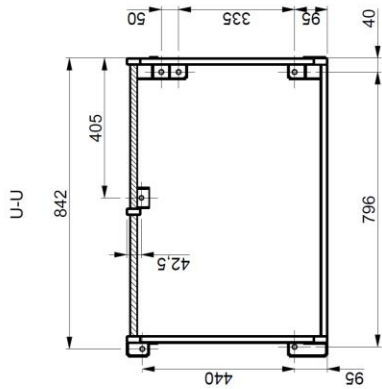
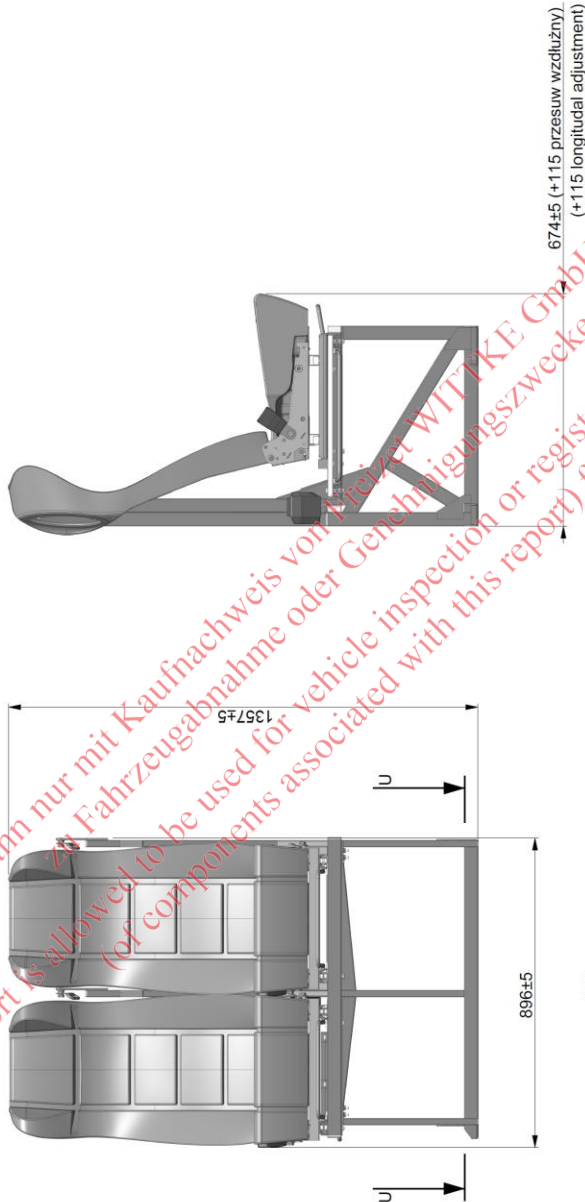
SEATBELT ANCHORAGE POINTS LOCATION	
LEFT SEAT	RIGHT SEAT
R1 point	R2 point
Rx1 0 mm	Rx2 0 mm
Ry1 0 mm	Ry2 0 mm
Rz1 0 mm	Rz2 0 mm
Pillar loop 1	
Ax1 330 mm	Ax2 330 mm
Ay1 -220 mm	Ay2 -222 mm
Az1 533 mm	Az2 533 mm
Buckle 1	
Bx1 89 mm	Bx2 89 mm
By1 208 mm	By2 208 mm
Bz1 -130 mm	Bz2 -130 mm
C B1 56 deg	C B2 56 deg
End bracket 1	
Cx1 46 mm	Cx2 46 mm
Cy1 -210 mm	Cy2 -210 mm
Cz1 -165 mm	Cz2 -165 mm
C C1 74 deg	C C2 74 deg
Retractor 1	
Dx1 300 mm	Dx2 300 mm
Dy1 -205 mm	Dy2 -207 mm
Dz1 -197 mm	Dz2 -197 mm
Retractor 2	
Mass (kg/Mass)	
mm	

Tolerancje dla docelów wymiarów liniowych i kątowych
 Tolerances for anchorage points, linear and angular dimensions:
 Toleranzen für Verankerungspunkte, linear und angular dimensions:

Manufacturer Name: MOBIFRAME
 Model/Part Name: RAM02_R_POINT
 Zdobycie/Assembly: W. Grzegorek
 Nr. Certyfikatu/Number: 15-07-2019
 Data/Date: 1.10
 A2
 1/2

19009500





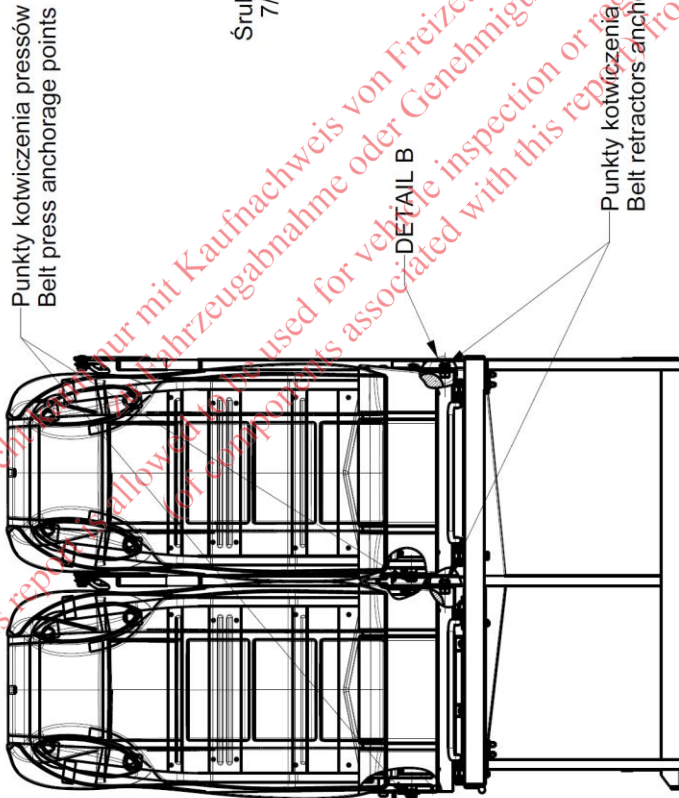
Tolerancje dla złożen. wymiary liniowe i katowe		Masa Btl		mm	
		66,134			
Nazwa					
RAM02_R_POINT					
Materiał					
Złożenie					
Numer					
Wzrost					
15-07-2019					
A					
19009500					
MOBIFRAME					
152					
A2					
2/2					

Dieser Prüfbericht kann nur mit Kaufnachweis von Freizet WITTIKE GmbH (Komponenten aus diesem Prüfbericht) zu Fahrzeugabnahme oder Genehmigungszwecken verwendet werden.
This report is allowed to be used for vehicle inspection or registration purposes only with proof of purchase (of components associated with this report) from Freizet WITTIKE GmbH.

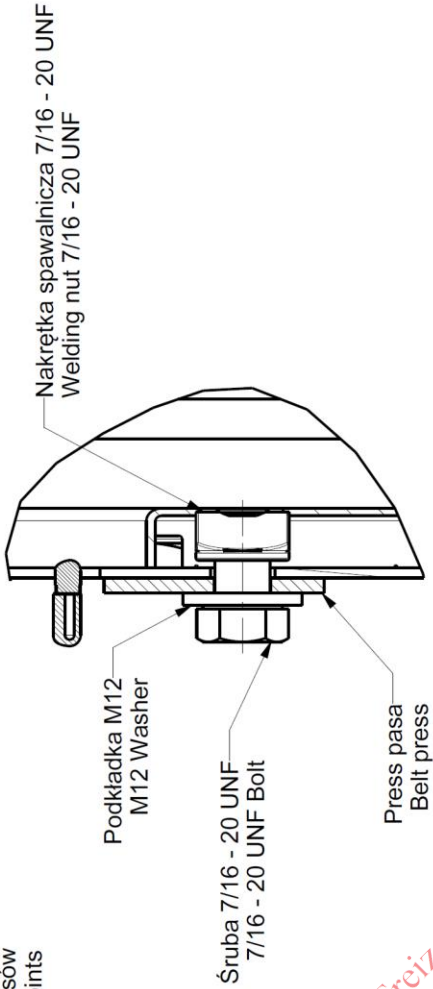


Rozmieszczenie punktów kotwiczenia pasów bezpieczeństwa
Seatbelt anchorage points location

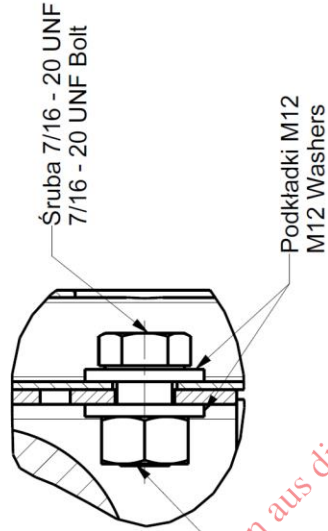
B-B
A-A



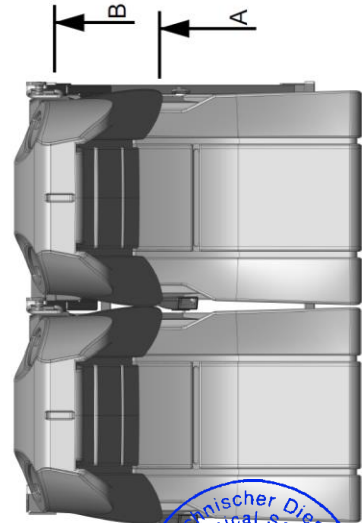
DETAIL A
1:1



DETAIL B
1:1

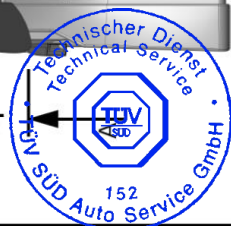


Nakrętka 7/16 - 20 UNF
7/16 - 20 UNF Nut



Tolerancja dla złożeń, wymiary liniowe, katowe: Tolerances for assemblies, linear and angular dimensions: Obrotka wyznaczająca / REACHNIERK		Masa /kg/ Mass	Jednostki / Units
---		2mm	mm
Nazwa / Part Name			
PKT_KOTWICZENIA_PAS			
Zbiór / Assembly			
Konstruktor / Designer	Nr. Części / Part Number	---	
W. Grzegorek	A	15-07-2019	
Skala / Scale		1:10	
Awaris / Sheet		A3	
Liczba / Quantity		1/2	

19009500



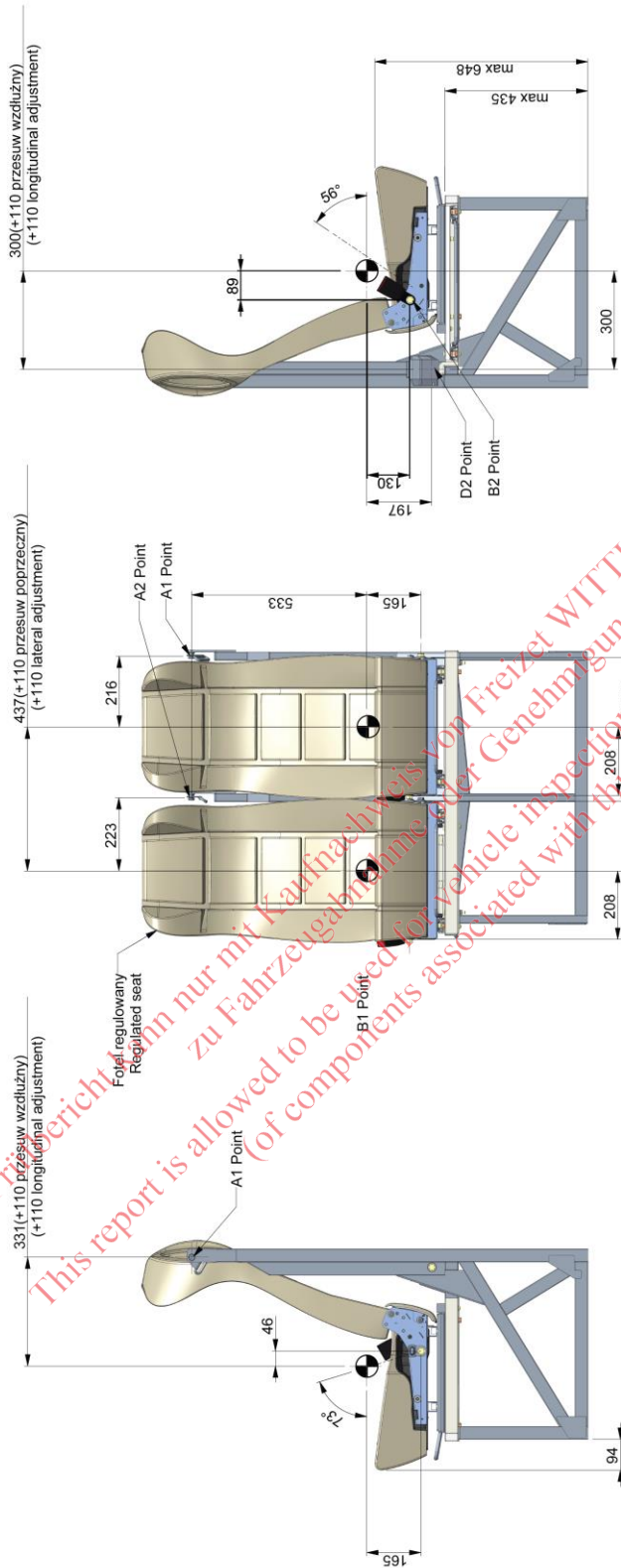
RAM02 – dedicated for Mercedes Sprinter (906, 907)/Volkswagen Crafter (2006-2016)
(fixation by means of underfloor reinforcements)
and
dedicated for all vehicles presented in Enclosure 1 (fixation by means of Fixation Plate)

(see next pages)

*Dieser Prüfbericht kann nur mit Kaufnachweis von Freizet WITTIKE GmbH (Komponenten aus diesem Prüfbericht)
zu Fahrzeugabnahme oder Genehmigungszwecken verwendet werden.
This report is allowed to be used for vehicle inspection or registration purposes only with proof of purchase
(of components associated with this report) from Freizet WITTIKE GmbH.*



MOBIFRAME		Date: 16.09.2022
	MOBIFRAME/04/2022-00	Page / pages: 74/109



SEATBELT ANCHORAGE POINTS LOCATION	
LEFT SEAT	RIGHT SEAT
R1 POINT	R2 POINT
Rx1 0 mm	Rx2 0 mm
Ry1 0 mm	Ry2 0 mm
Rz1 0 mm	Rz2 0 mm
Pillar loop 1	
Ax1 331mm	Ax2 331mm
Ay1 -216mm	Ay2 -223mm
Az1 533mm	Az2 533mm
Buckle 1	
Bx1 89mm	Bx2 89mm
By1 208mm	By2 208mm
Bz1 -130mm	Bz2 -130mm
αB1 56 deg	αB2 56 deg
End bracket 1	
Cx1 46mm	Cx2 46mm
Cy1 -213mm	Cy2 -213mm
Cz1 -165mm	Cz2 -165mm
αC1 73 deg	αC2 73 deg
Retractor 1	
Dx1 300mm	Dx2 300mm
Dy1 -202mm	Dy2 -210mm
Dz1 -197mm	Dz2 -197mm
Retractor 2	
Dx1 300mm	Dx2 300mm
Dy1 -202mm	Dy2 -210mm
Dz1 -197mm	Dz2 -197mm

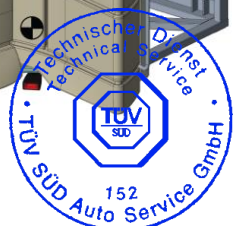
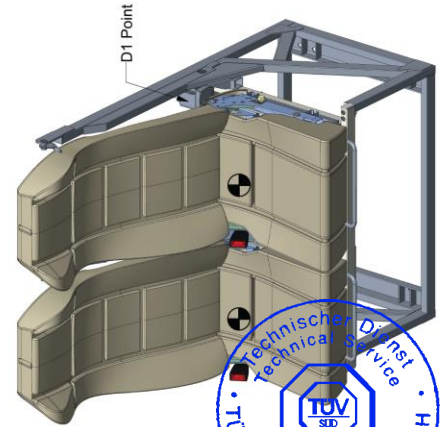


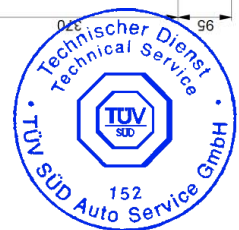
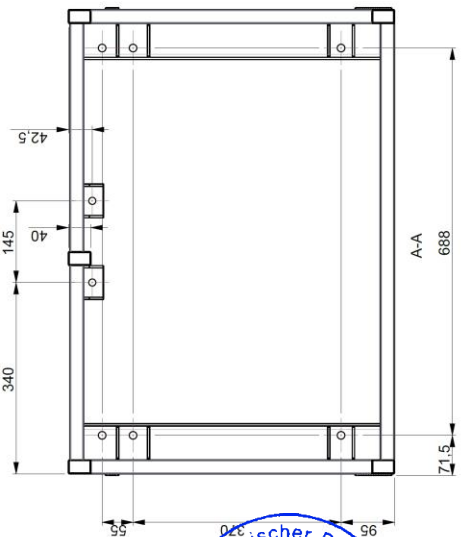
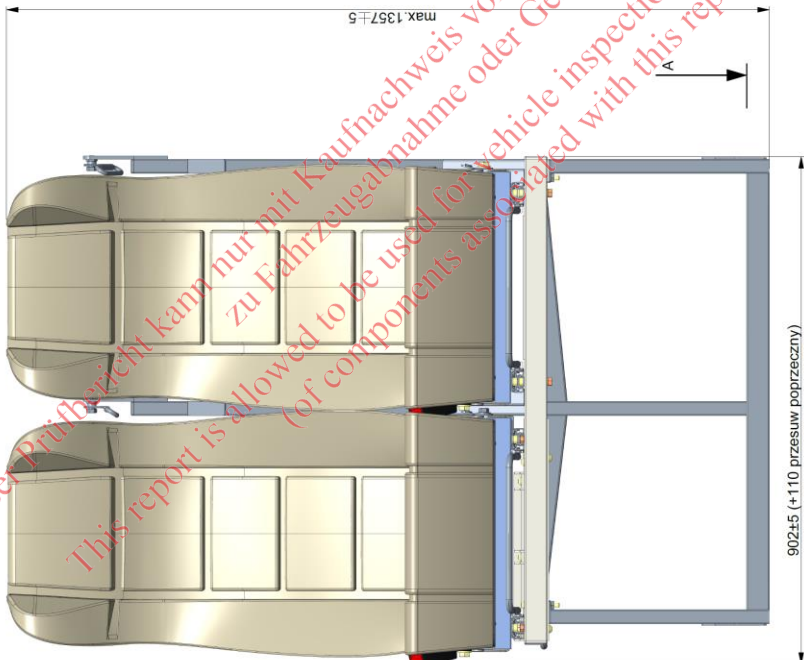
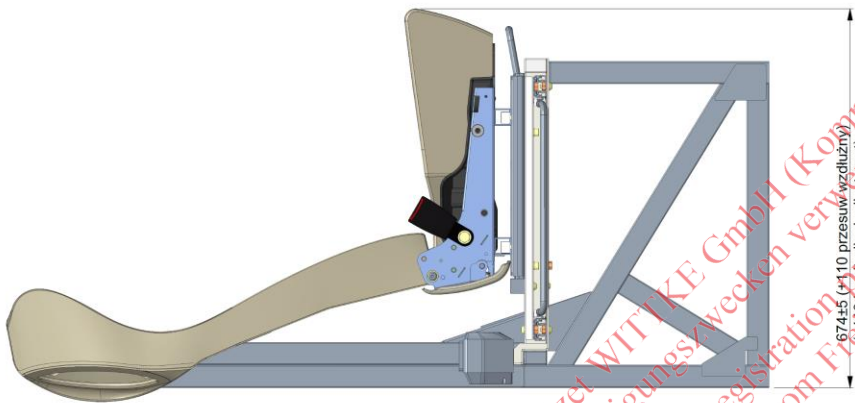
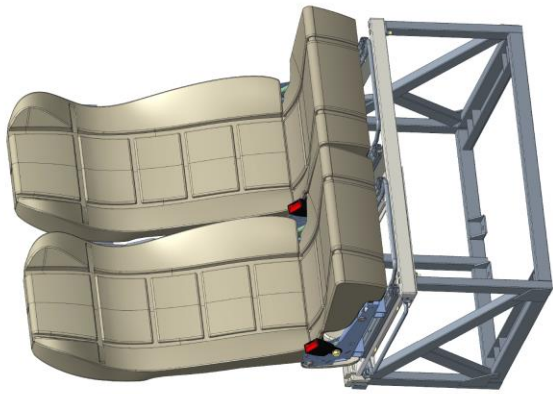
Kreślił / Drawn by
O. Mochalov
Zatwierdził / Checked / Approved by
Ł. Walczak

Data / Date
21-Apr-22
Arkusz / Sheet
1/2

RAM02_R_POINTS
RES10002B_RAM02

Dieser Prüfbericht kann nur mit Kaufnachweis von Freizet WITTIKE GmbH (Komponenten aus diesem Prüfbericht) zu Fahrzeugabnahme oder Genehmigszwecken verwendet werden.
This report is allowed to be used for vehicle inspection or registration purposes only with proof of purchase from Freizet WITTIKE GmbH.

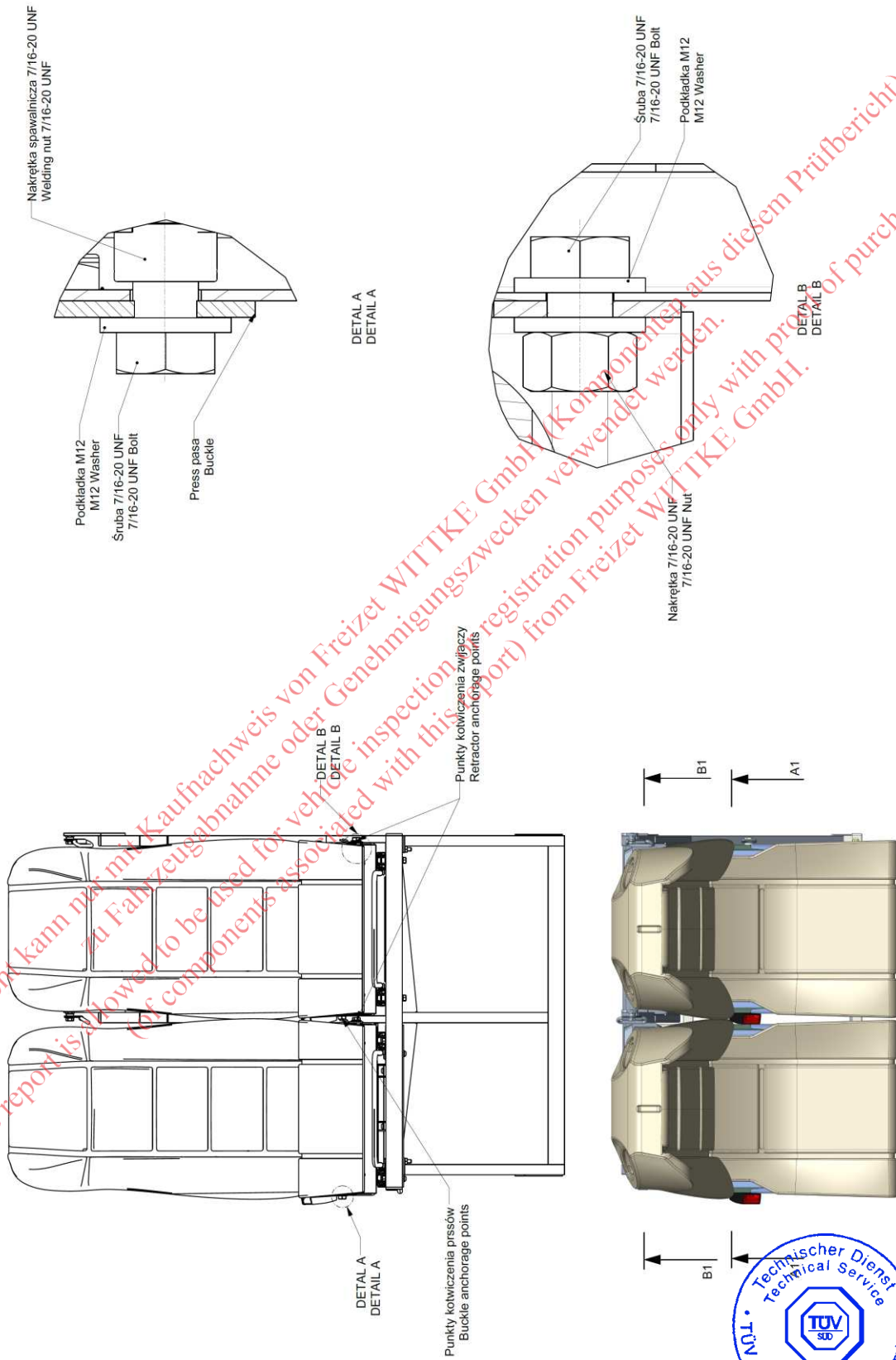




Dieser Prüfbericht kann nur mit Kaufnachweis von Freizeit WITTIKE GmbH (Komponenten aus diesem Prüfbericht) zu Fahrzeugabnahme oder Genehmigungszwecken verwendet werden.
 This report is allowed to be used for vehicle inspection or registration purposes only with proof of purchase (of components associated with this report) from Freizeit WITTIKE GmbH.

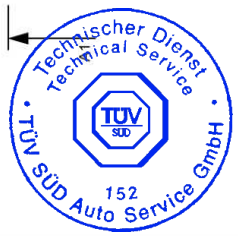
Data / Data 21-Apr-22 Anzahl / Sheet 2/2	Created / Drawn by O. Mochalov Zaprojektowany przez / Approved by L. Walczak	MOBIFRAME RAM02_R_POINTS RES10002B_RAM02
---	---	---

Rozmieszczenie punktów kotwiczenia pasów bezpieczeństwa
 Seat belt anchorage points location

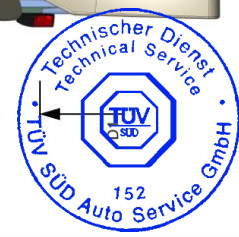
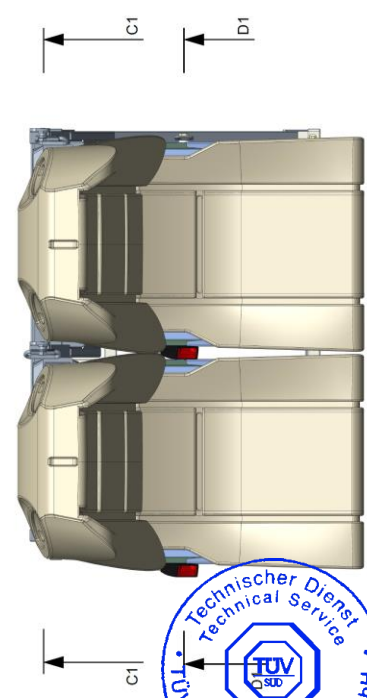
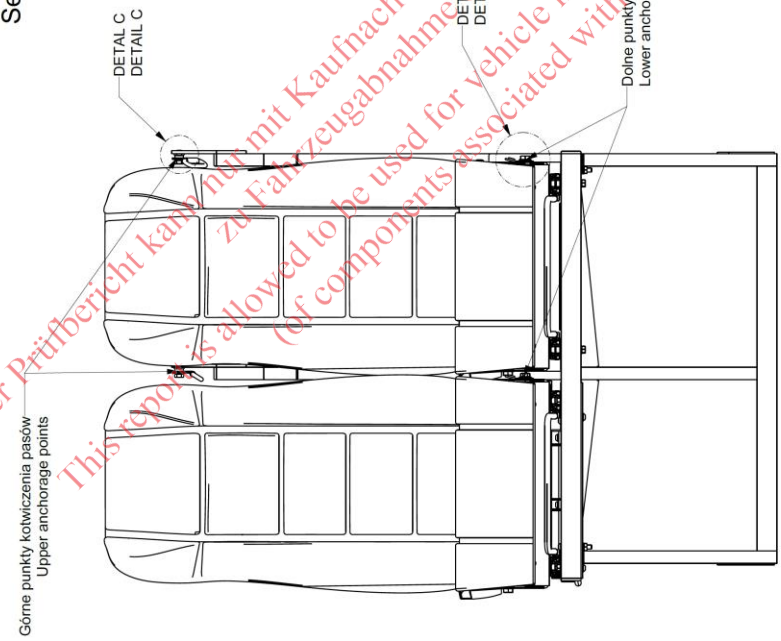
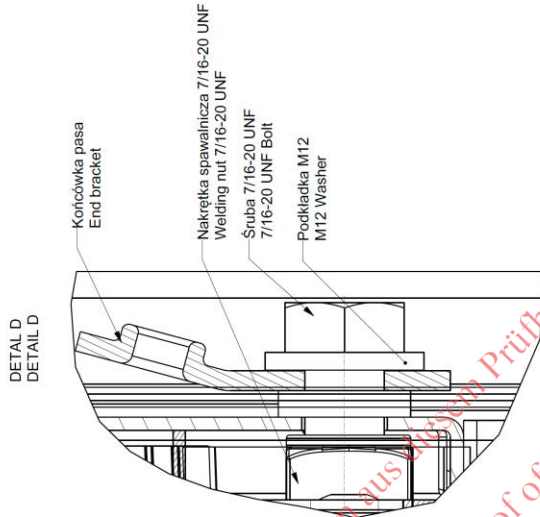
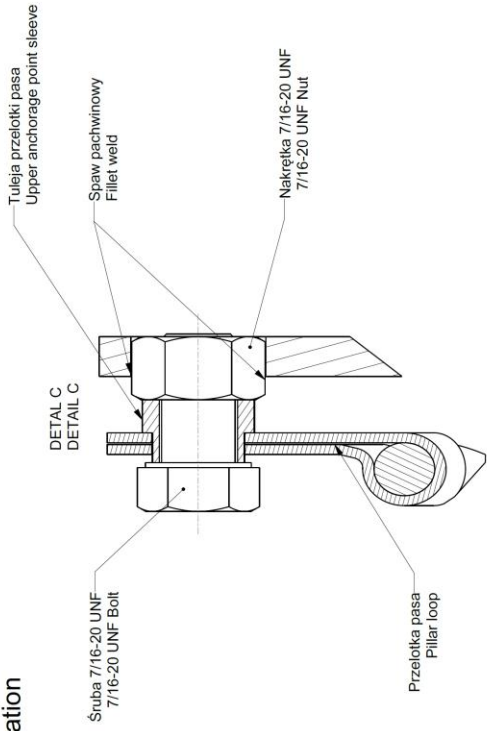


Dieser Prüfbericht kann nur mit Kaufnachweis von Freizet WITTIKE GmbH / Komponenten aus diesem Prüfbericht
 This report is allowed to be used for vehicle inspection / registration purposes only with proof of purchase
 (if components associated with this report) from Freizet WITTIKE GmbH.

Kreski / Drawn by O. Mochalov Zawarzony przez / Approved by L. Walczak	Data / Date 21-Apr-22 Arkaż / Sheet 1/2
MUBIFRAME PKT_KOTWICZENIA_PAS RES10002B_RAM02	



Rozmieszczenie punktów kotwienia pasów bezpieczeństwa
Seat belt anchorage points location



Fixation of seats to RAM02 frame:

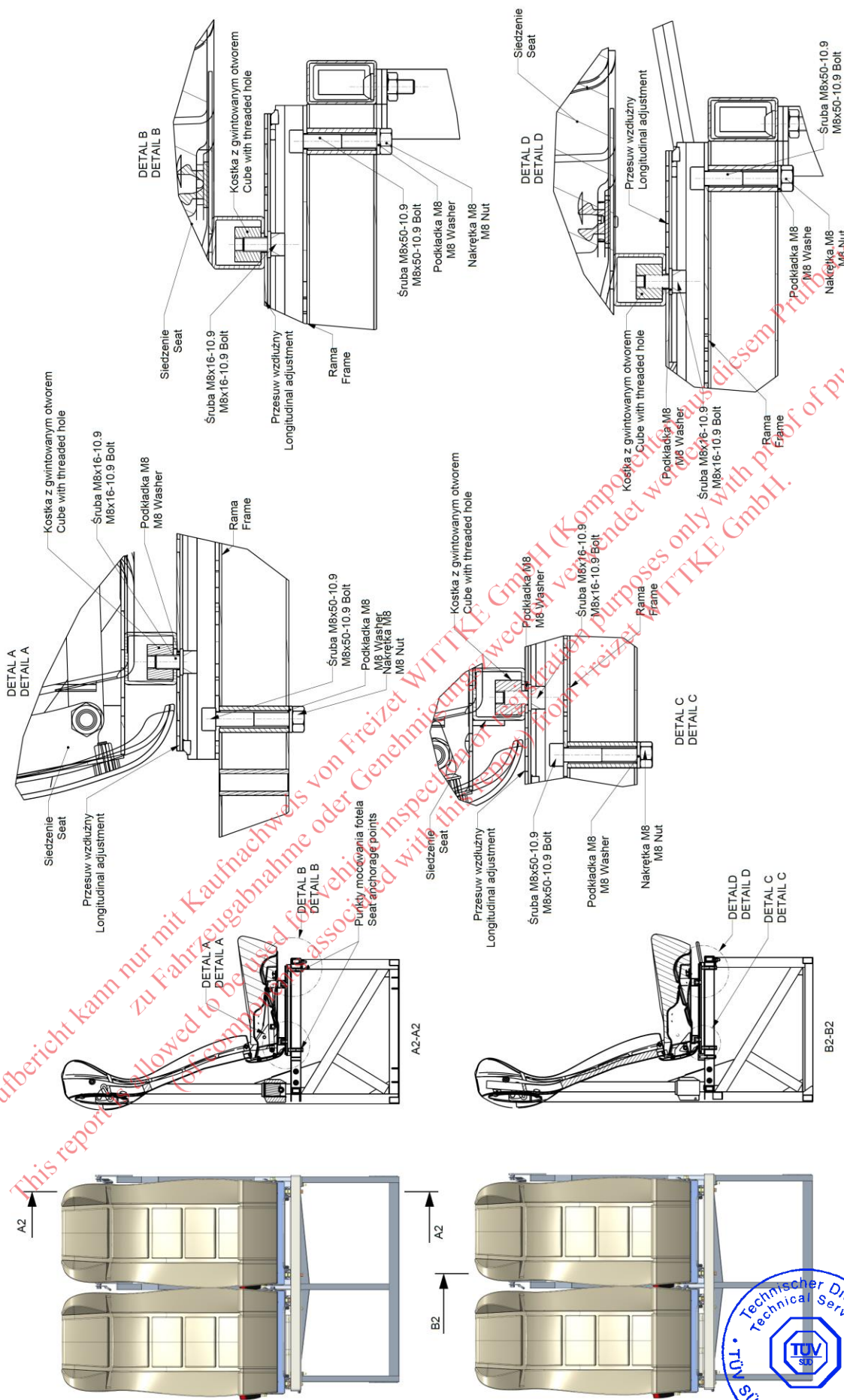
(see next pages)

Dieser Prüfbericht kann nur mit Kaufnachweis von Freizet WITTIKE GmbH (Komponenten aus diesem Prüfbericht)
zu Fahrzeugabnahme oder Genehmigungszwecken verwendet werden.
This report is allowed to be used for vehicle inspection or registration purposes only with proof of purchase
(of components associated with this report) from Freizet WITTIKE GmbH.



MOBIFRAME		Date: 16.09.2022
	MOBIFRAME/04/2022-00	Page / pages: 79/109

Punkty mocowania fotela / Seat anchorage points

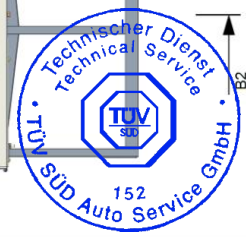


Date / Data: 21-Apr-22
 Author / Sheet: 1/3

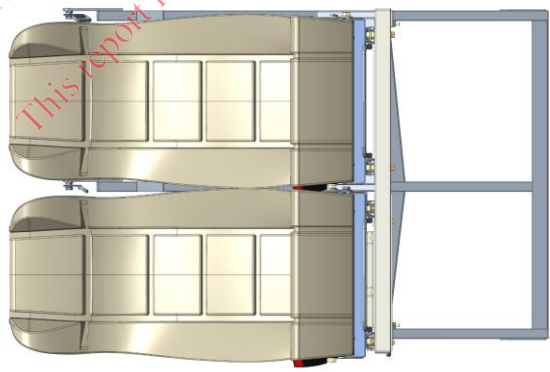
Created / Drawn by: O. Mochalov
 Authorized person / Approved by: L. Walczak



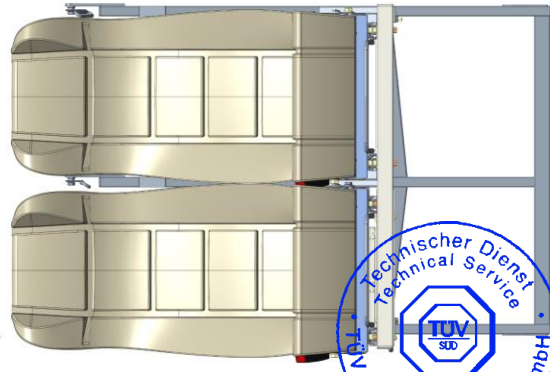
RAM02 MOCOWANIE FOTEŁA
 RES10002B_RAM02



C2

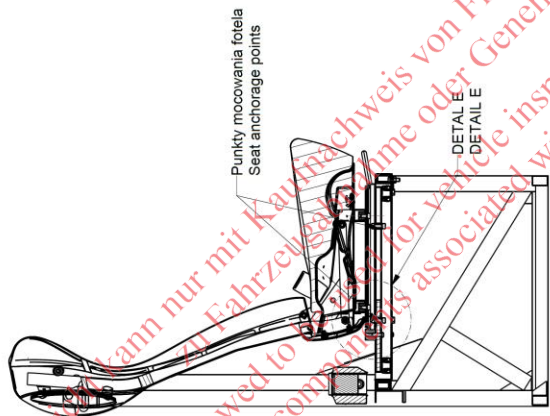


C2

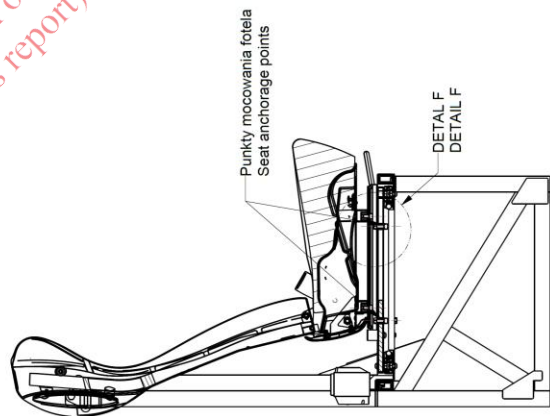


D2

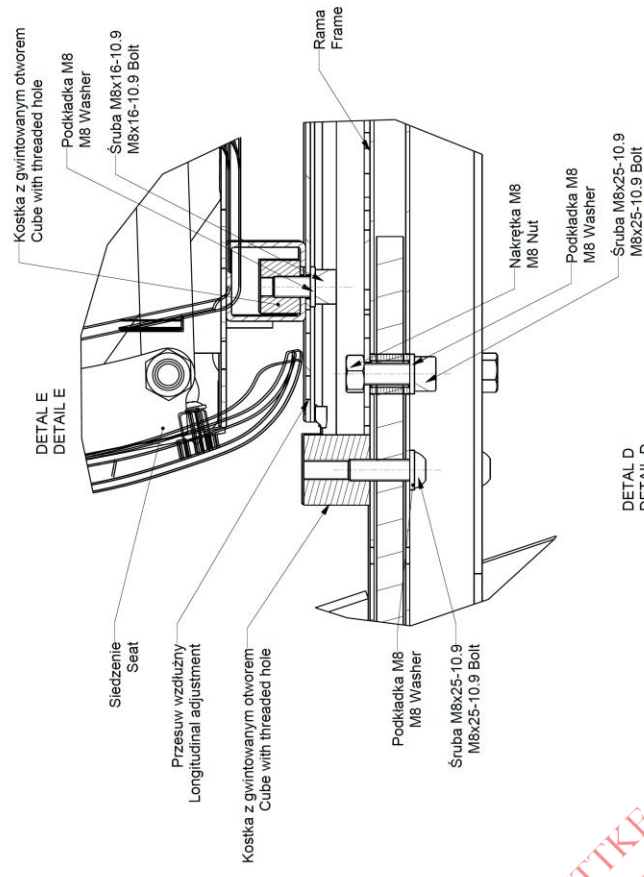
Punkty mocowania fotela / Seat anchorage points



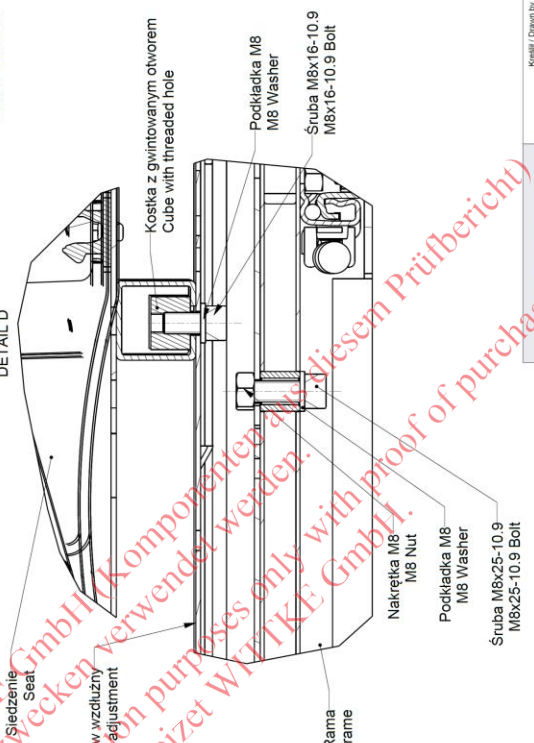
C2-C2



D2-D2



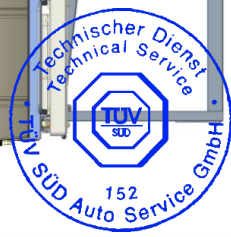
DETAIL D



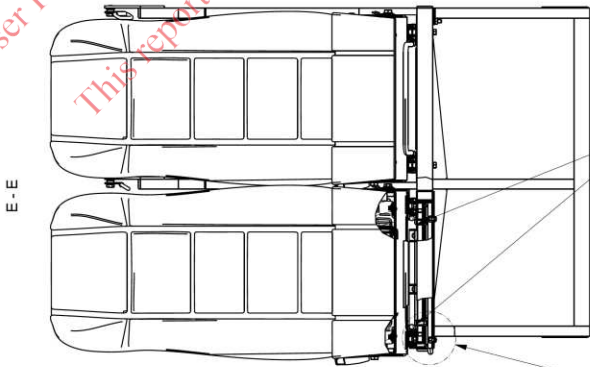
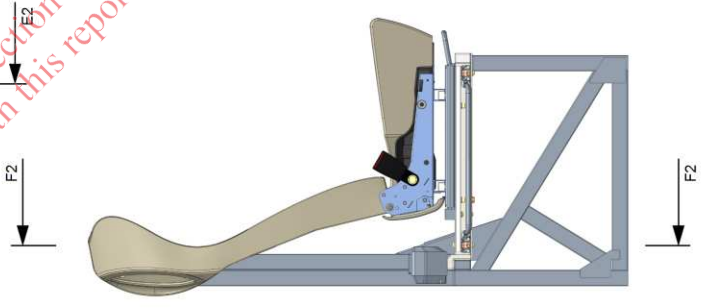
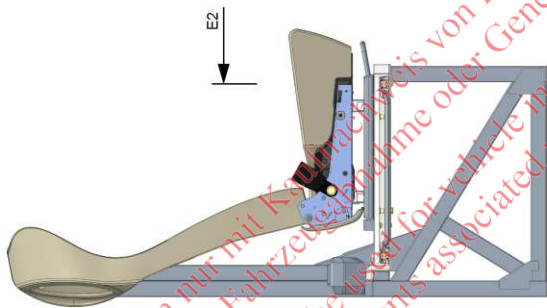
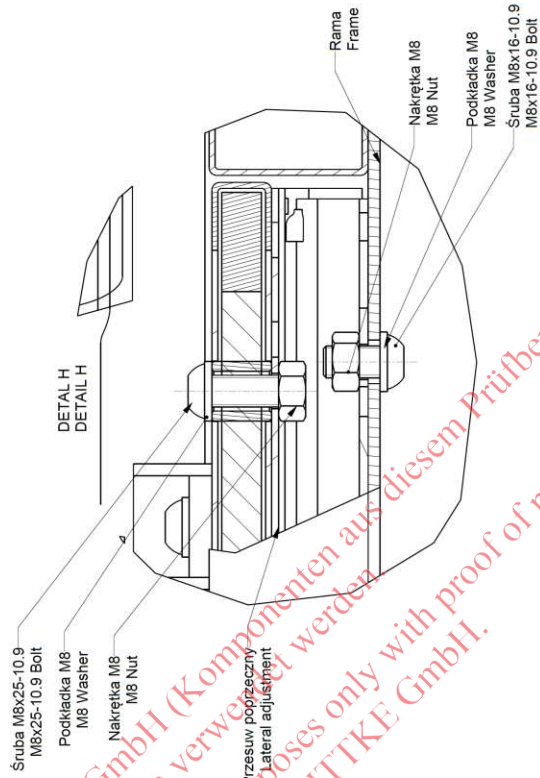
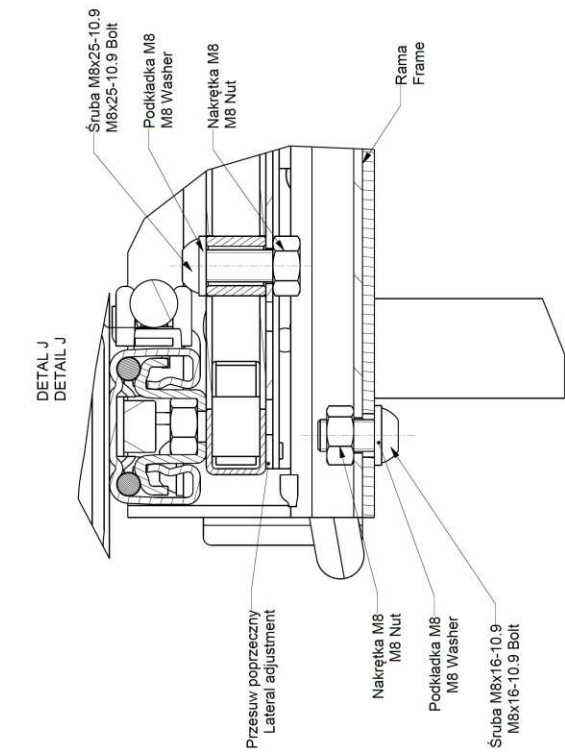
MOBIFRAME/04/2022-00

Date: 16.09.2022
Page / pages: 81/109

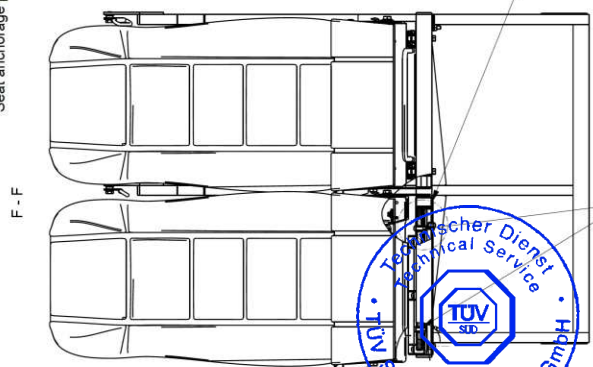
Dieser Prüfbericht kann nur mit Kaufnachweis von Freizeut WITTKE GmbH / Komponenten zu Fahrzeugen oder Genehmigungs-zwecken verwendet werden.
This report is allowed to be used for vehicle inspection or registration purposes only with proof of purchase from Freizeut WITTKE GmbH.



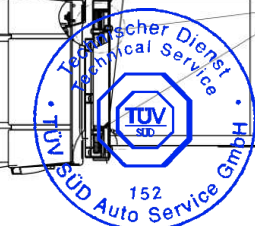
Punkty mocowania fotela / Seat anchorage points



DETAIL J
DETAIL J
Punkty mocowania fotela
Seat anchorage points



DETAIL H
DETAIL H
Punkty mocowania fotela
Seat anchorage points



Dieser Prüfbericht kann nur mit Zustimmung des Freizet WITTIKE GmbH (Komponenten aus diesem Prüfbericht) zu Fahrzeugenahme oder Genehmigungszwecken verwendet werden. This report is allowed to be used for vehicle inspection or registration purposes only with proof of purchase (of components associated with this report) from Freizet WITTIKE GmbH.

Kształt / Drawn by O. Mocharłow Zatwierdzony przez / Approved by L. Walczak	Data / Date 21-Apr-22 Arkaż / Sheet 3/3
MOBIFRAME RAM02 MOCOWANIE FOTEŁA RES10002B_RAM02	

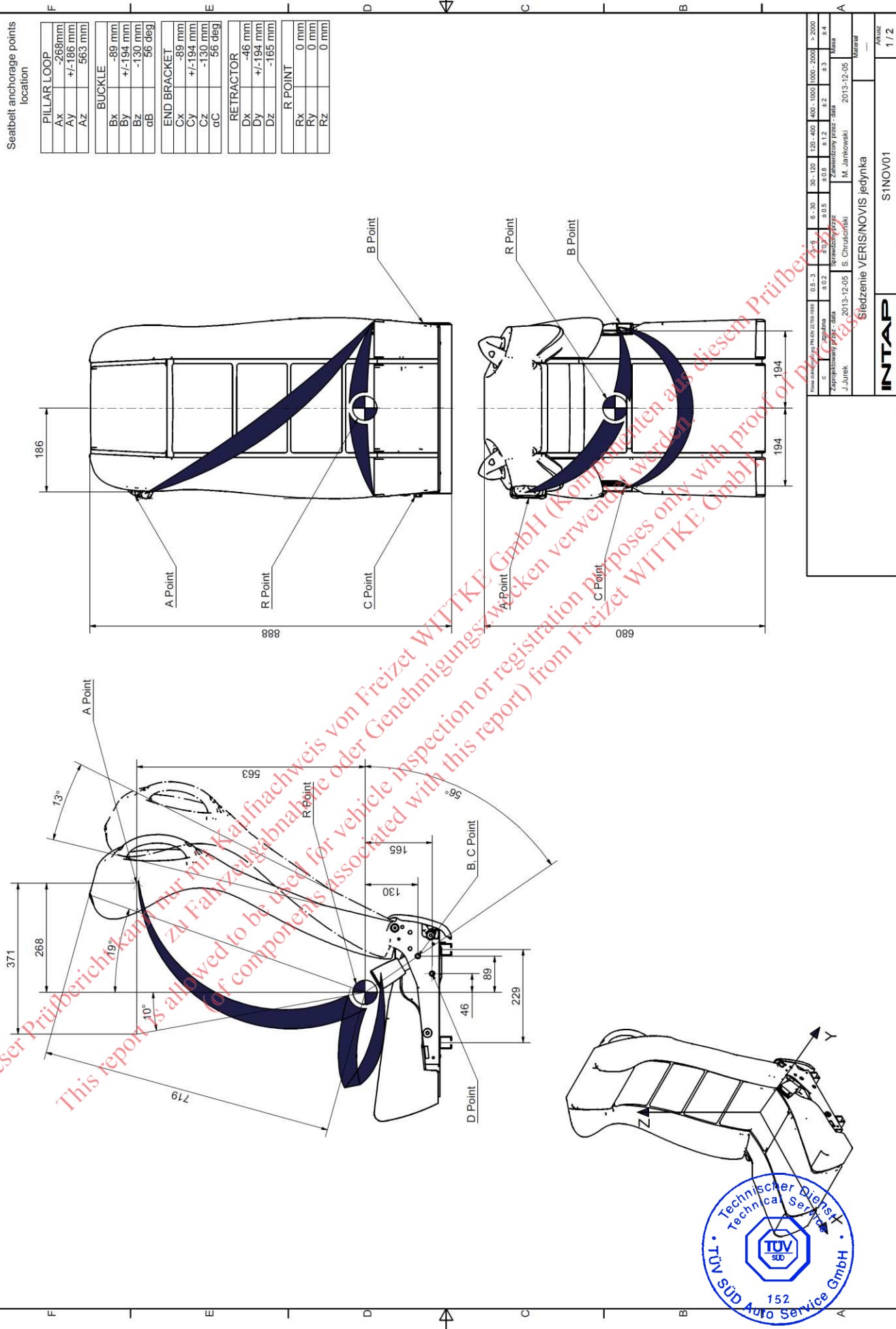
Seats mounted to RAM02 frame:

(see next pages)

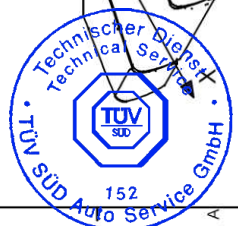
Dieser Prüfbericht kann nur mit Kaufnachweis von Freizet WITTIKE GmbH (Komponenten aus diesem Prüfbericht)
zu Fahrzeugabnahme oder Genehmigungszwecken verwendet werden.
This report is allowed to be used for vehicle inspection or registration purposes only with proof of purchase
(of components associated with this report) from Freizet WITTIKE GmbH.



MOBIFRAME		Date: 16.09.2022
	MOBIFRAME/04/2022-00	Page / pages: 83/109

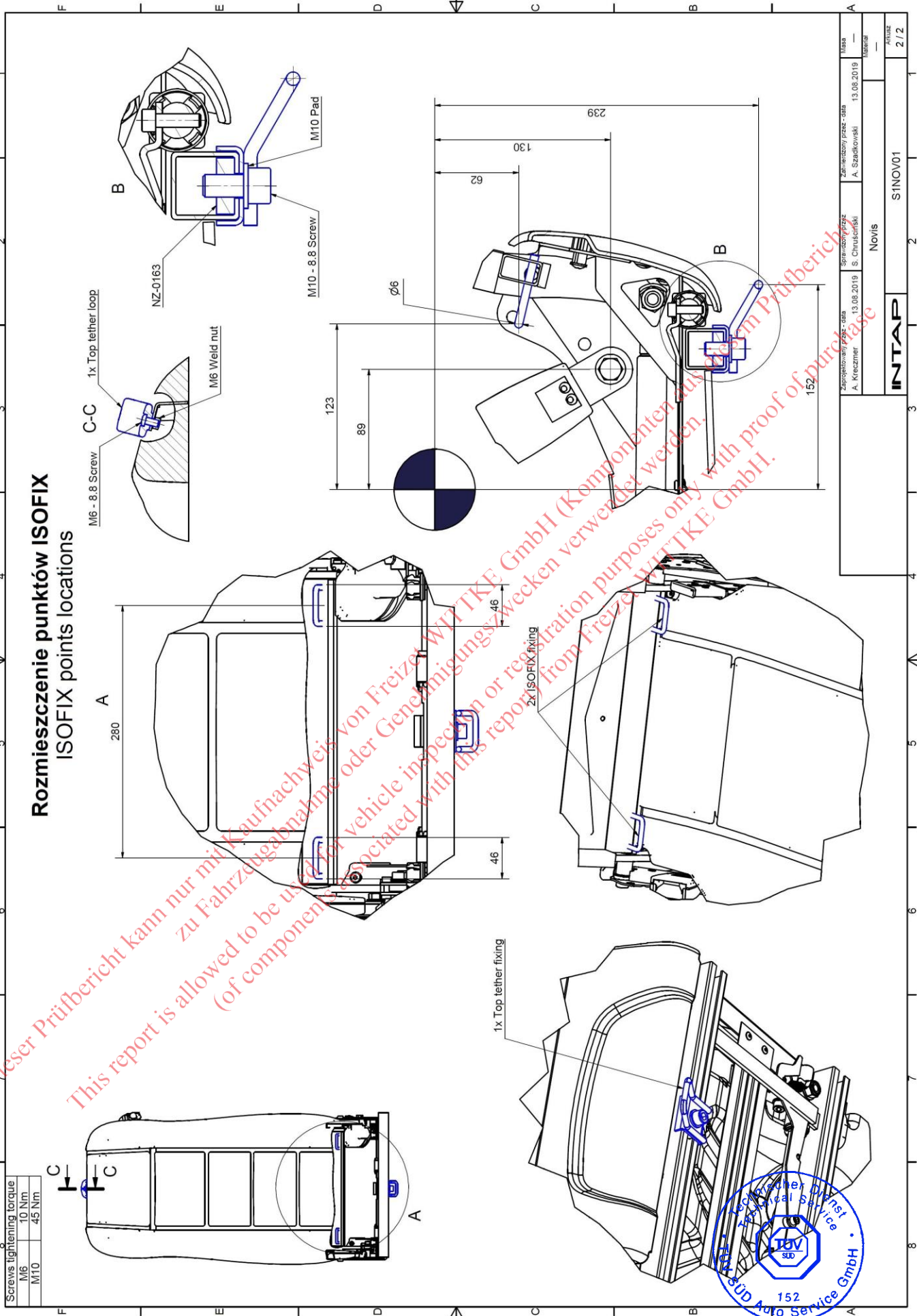


Dieser Prüfbericht kann nur mit Kaufnachweis von Freizet WITTIKE GmbH (Komponenten aus diesem Prüfbericht) zu Fahrzeugabnahme oder Genehmigungszwecken verwendet werden. This report is allowed to be used for vehicle inspection or registration purposes only with proof of purchase of components associated with this report) from Freizet WITTIKE GmbH.



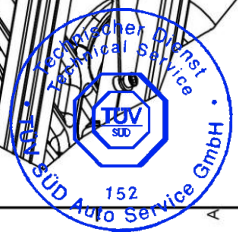
Rozmieszczenie punktów ISOFIX

ISOFIX points locations



Screws tightening torque	
M6	10 Nm
M10	45 Nm

Zaprojektował / projekt - eka	Sprawdził / przegz -	Zatwierdził / przezw - eka	Masa
A. Kreczmer	S. Chruszowski	A. Szadkowski	13.08.2019
Nazwa			Novis
INTAP			S1NOV01
Artykuł			2 / 2



RAM03 – dedicated for all fixation solutions:

RAM03 is equipped with additional removable fixation elements used for different fixation solutions:

- fixation details of these elements - see Enclosure 2
- drawings of removable fixation elements – see drawings below

(see next pages)

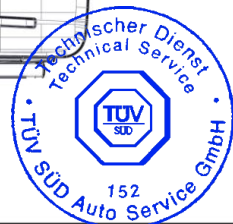
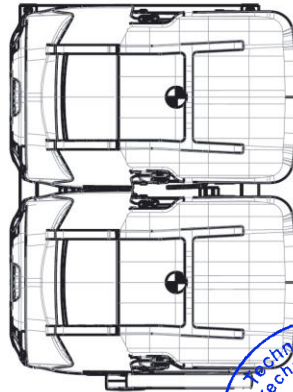
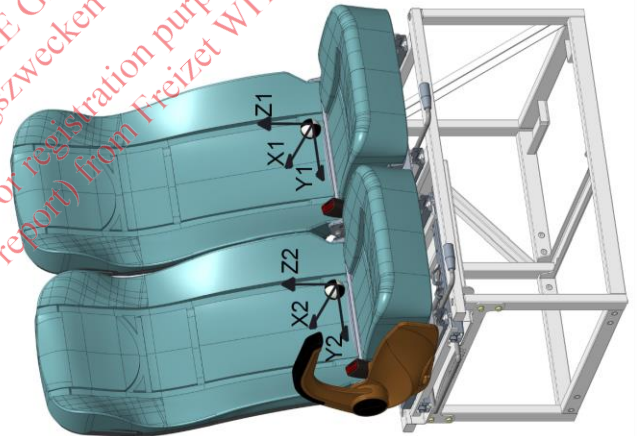
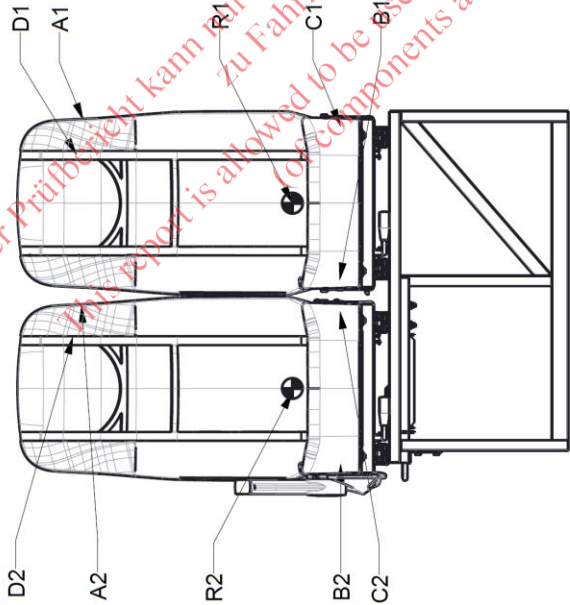
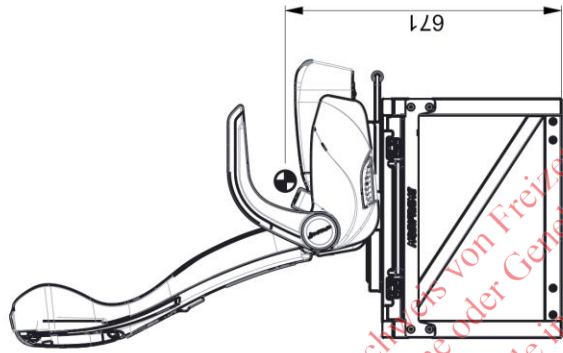
*Dieser Prüfbericht kann nur mit Kaufnachweis von Freizet WITTIKE GmbH (Komponenten aus diesem Prüfbericht) zu Fahrzeugabnahme oder Genehmigungszwecken verwendet werden.
This report is allowed to be used for vehicle inspection or registration purposes only with proof of purchase (of components associated with this report) from Freizet WITTIKE GmbH.*



MOBIFRAME		Date: 16.09.2022
	MOBIFRAME/04/2022-00	Page / pages: 86/109

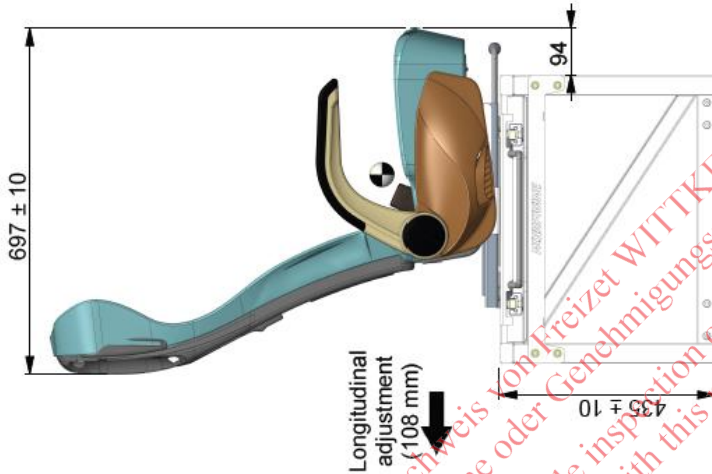
RAM03

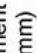
LEFT SEAT		RIGHT SEAT	
R POINT 1		R POINT 2	
Rx1	0 mm	Rx2	0 mm
Ry1	0 mm	Ry2	0 mm
Rz1	0 mm	Rz2	0 mm
Pillar loop 1		Pillar loop 2	
Ax1	358 mm	Ax2	358 mm
Ay1	±208 mm	Ay2	±208 mm
Az1	525 mm	Az2	525 mm
Buckle 1		Buckle 2	
Bx1	80 mm	Bx2	80 mm
By1	±189 mm	By2	±189 mm
Bz1	-120 mm	Bz2	-120 mm
$\alpha 1$	56°	$\alpha 2$	56°
End bracket 1		End bracket 2	
Cx1	80 mm	Cx2	80 mm
Cy1	±189 mm	Cy2	±189 mm
Cz1	-120 mm	Cz2	-120 mm
$\alpha 1$	56°	$\alpha 2$	56°
Retractor 1		Retractor 2	
Dx1	327 mm	Dx2	327 mm
Dy1	±121 mm	Dy2	±121 mm
Dz1	517 mm	Dz2	517 mm

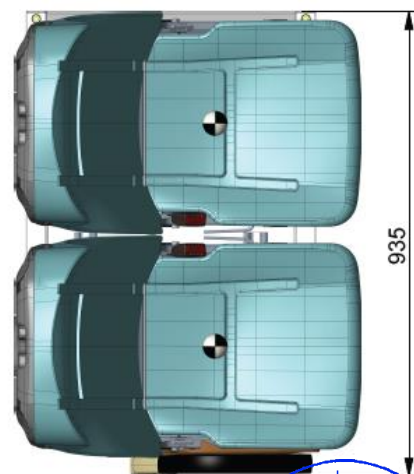
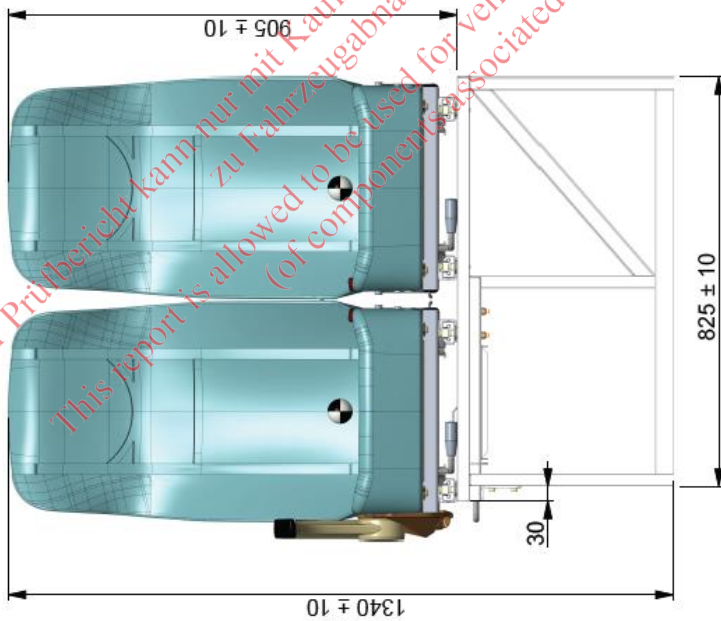



Dieser Prüfbericht kann nur mit Kaufnachweis von Freizeid WITTIKE GmbH (Komponenten aus diesem Prüfbericht) zu Fahrzeugabnahme oder Genehmigungszwecken verwendet werden.
This report is allowed to be used for vehicle inspection or registration purposes only with proof of purchase from Freizeid WITTIKE GmbH.

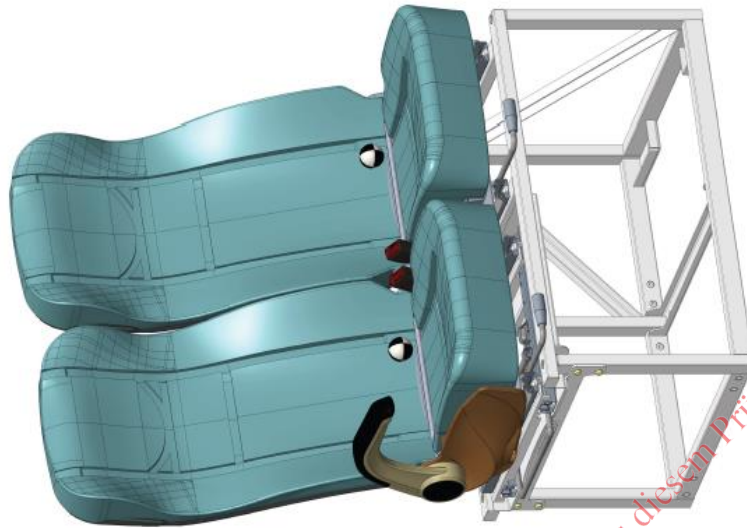
Longitudinal adjustment (108 mm) 




Longitudinal adjustment (108 mm) 



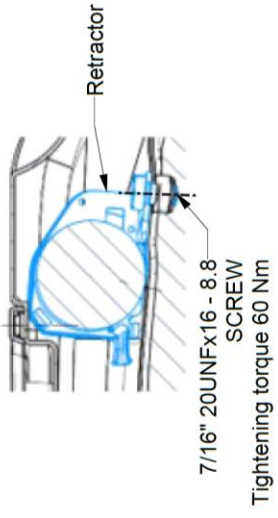
Lateral adjustment (108 mm) 



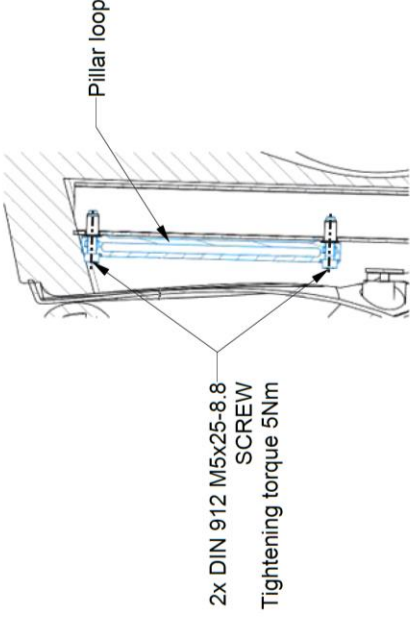
	Kreszył / Drawn by K. Trzyna	Data / Date 13-Sep-22
	Zawierający / Approved by P. Oździemek	Arkusz / Sheet 1/1
General view		
17-01-RAM03		

Dieser Prüfbericht kann nur mit Kaufnachweis von Freizet WITTIKE GmbH (Komponenten aus diesem Prüfbericht zu Fahrzeugabnahme oder Genehmigungszwecken verwendet werden.
 This report is allowed to be used for vehicle inspection or registration purposes only with proof of purchase (of components associated with this report) from Freizet WITTIKE GmbH.

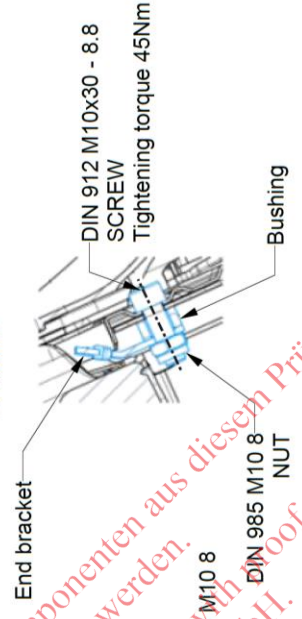
DETAIL A



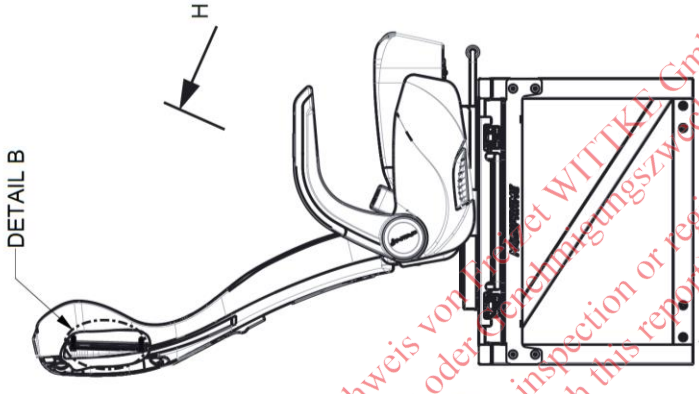
DETAIL B



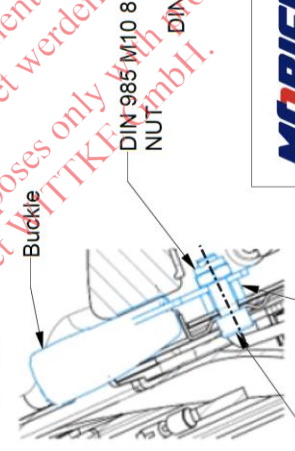
DETAIL D



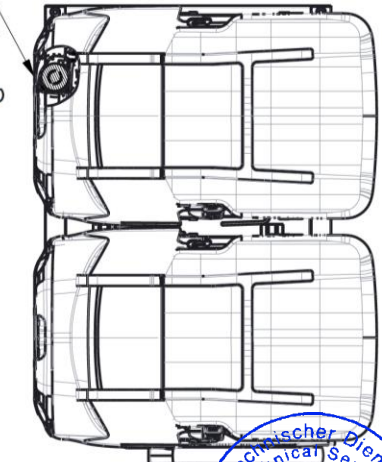
DETAIL B



DETAIL C

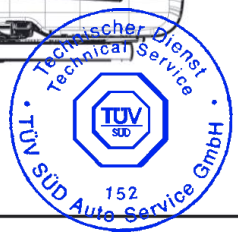


DETAIL A



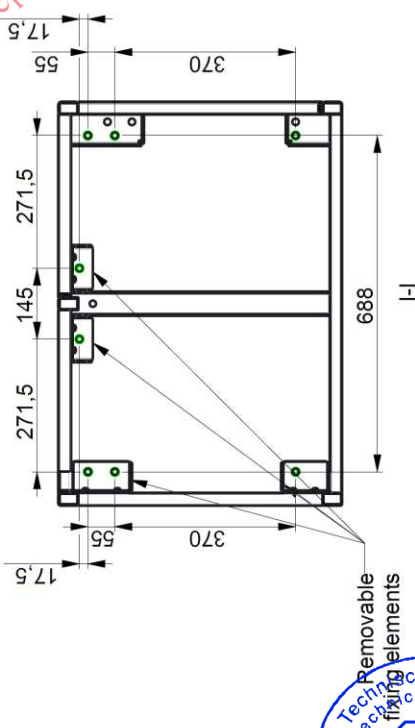
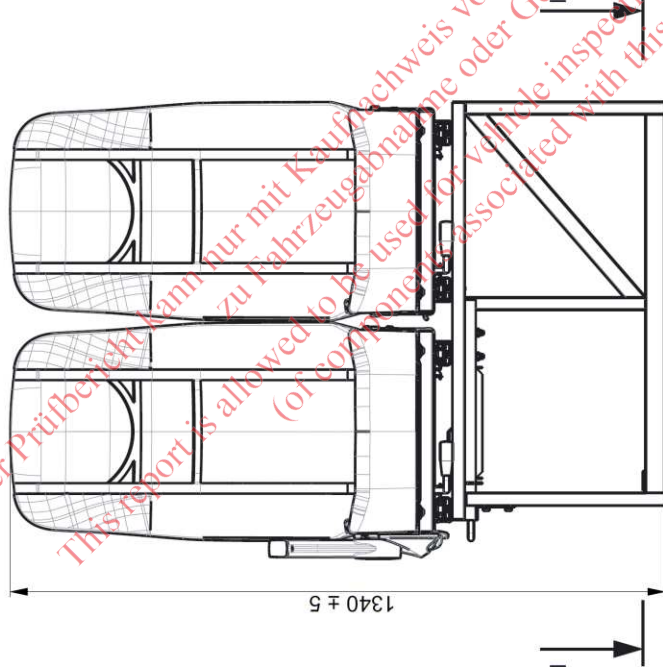
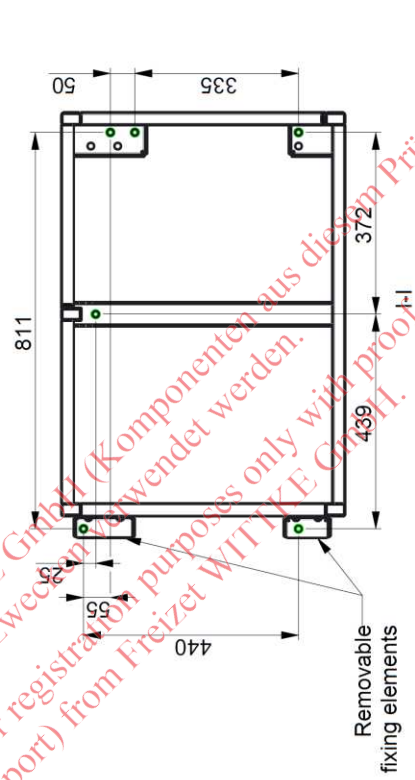
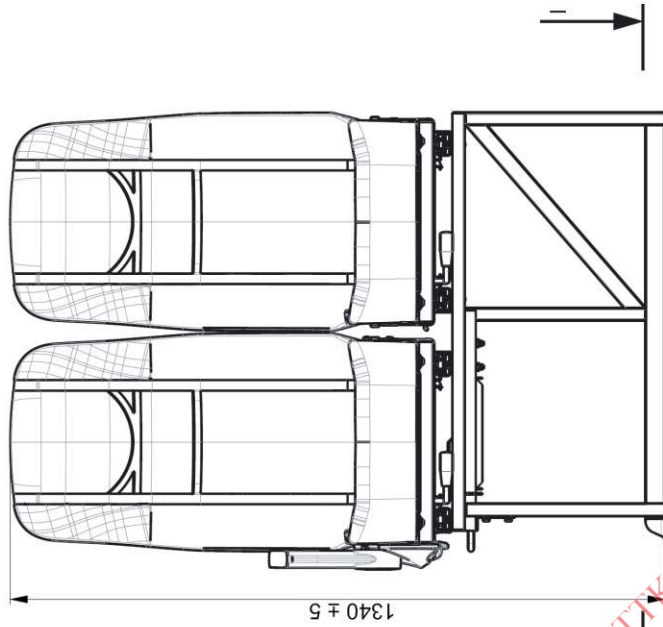
	Kreslil / Drawn by K. Trzyna	Data / Date 20-Sep-22
	Zatwierdzony przez / Approved by P. Odziemek	Arkusz / Sheet 1/1
Seatbelt anchorage points		
14-02-RAM03		

Dieser Prüfbericht kann nur mit Kaufnachweis von Freizeithilfen GmbH (Komponenten aus diesen Prüfberichten dürfen nicht für andere Zwecke verwendet werden.)
 This report is allowed to be used for vehicle inspection or registration purposes only with proof of purchase.
 (of components associated with this report) from Freizeit Hilfen GmbH.



Version 2

Version 1



Date / Date
20-Sep-22
Arkusz / Sheet
1/1

Kreslil / Drawn by
K. Trzyna
Zatwierdzony przez / Approved by
P. Odrzemek

MOBIFRAME

Grid of mounting holes

14-03-RAM03

Dieser Prüfbericht kann nur mit Kaufnachweis von Freizeit WITTKÉ GmbH (Komponenten aus diesem Prüfbericht) verwendet werden.
This report is allowed to be used for vehicle inspection or registration purposes only with proof of purchase (of components associated with this report) from Freizeit WITTKÉ GmbH.



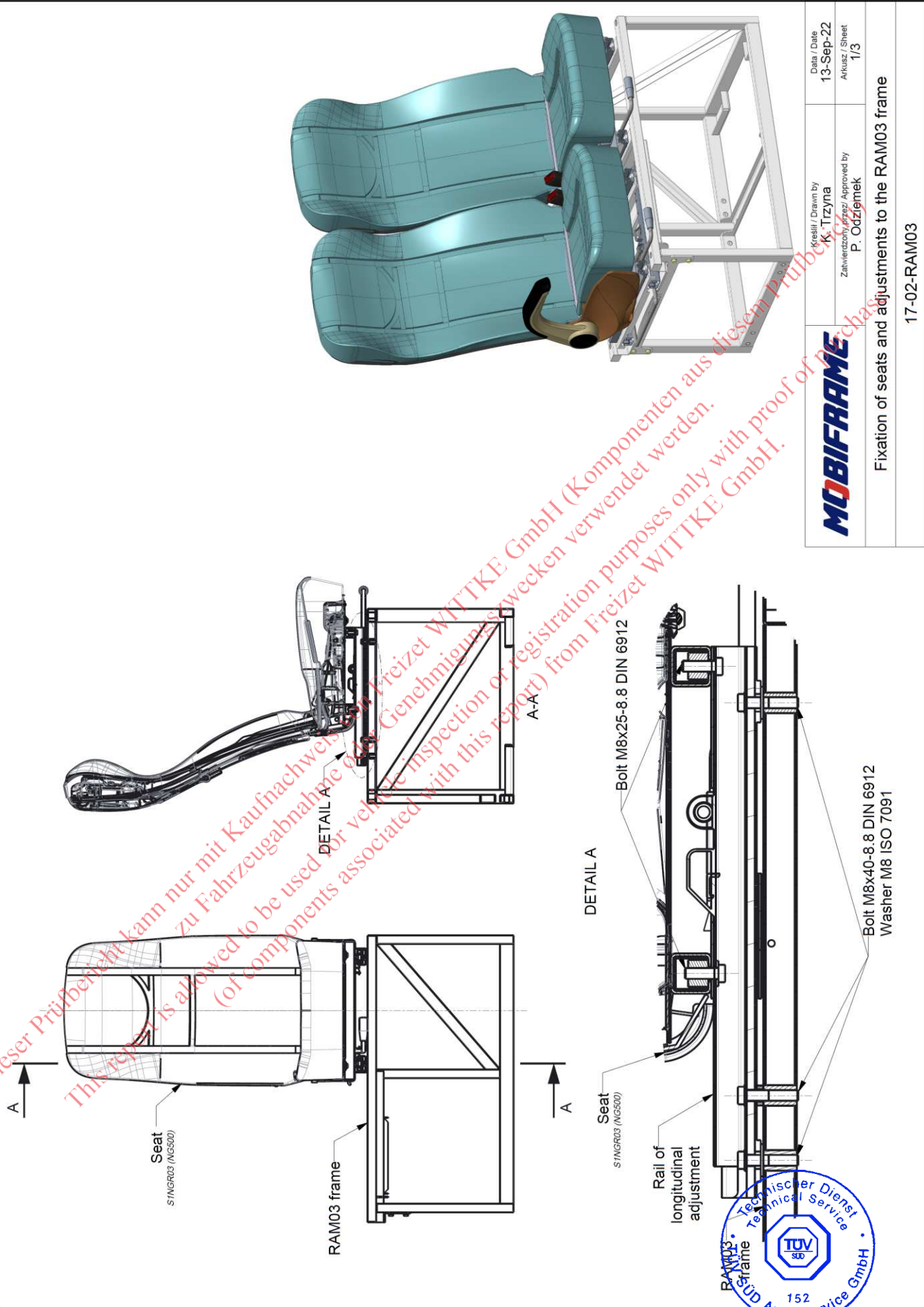
Fixation of seats to RAM03 frame:

(see next pages)

Dieser Prüfbericht kann nur mit Kaufnachweis von Freizet WITTIKE GmbH (Komponenten aus diesem Prüfbericht)
zu Fahrzeugabnahme oder Genehmigungszwecken verwendet werden.
This report is allowed to be used for vehicle inspection or registration purposes only with proof of purchase
(of components associated with this report) from Freizet WITTIKE GmbH.



MOBIFRAME		Date: 16.09.2022
	MOBIFRAME/04/2022-00	Page / pages: 91/109



Date / Date
13-Sep-22
Arbeits / Sheet
1/3

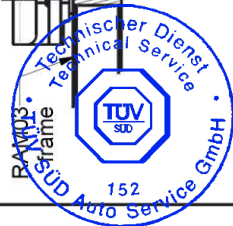
Kreiert / Drawn by
K. Trzyna
Zahwierzoch / Checked / Approved by
P. Odziejmek



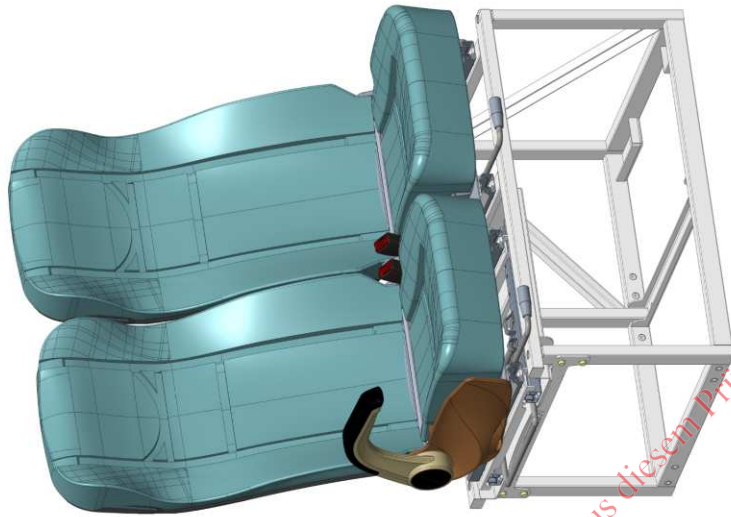
Fixation of seats and adjustments to the RAM03 frame

17-02-RAM03

Dieser Prüfbericht kann nur mit Kaufnachweis der Freizet WITTIKE GmbH (Komponenten aus diesem Prüfbericht) zu Fahrzeugabnahme oder Genehmigungs zwecken verwendet werden.
 This report is allowed to be used for vehicle inspection or registration purposes only with proof of purchase (of components associated with this report) from Freizet WITTIKE GmbH.



	MOBIFRAME/04/2022-00	Date: 16.09.2022
		Page / pages: 92/109



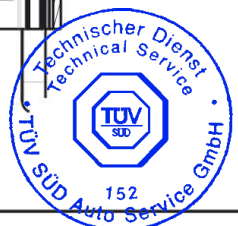
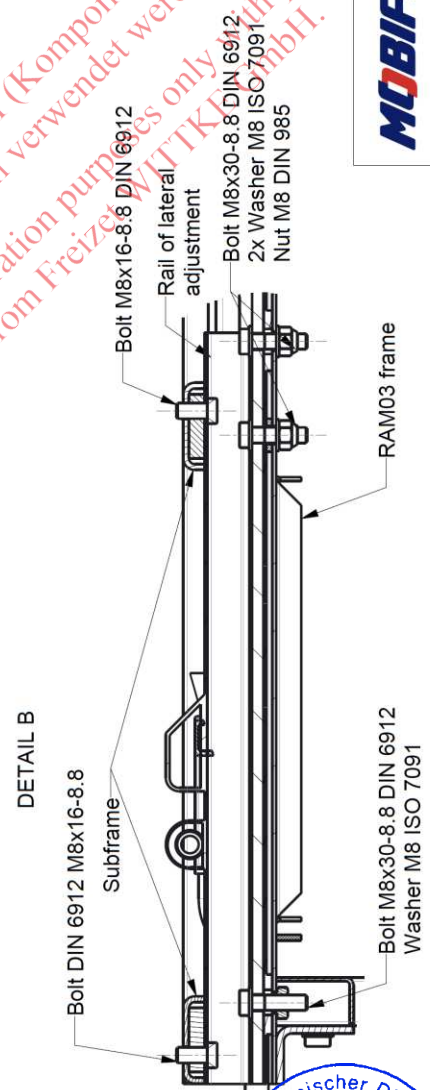
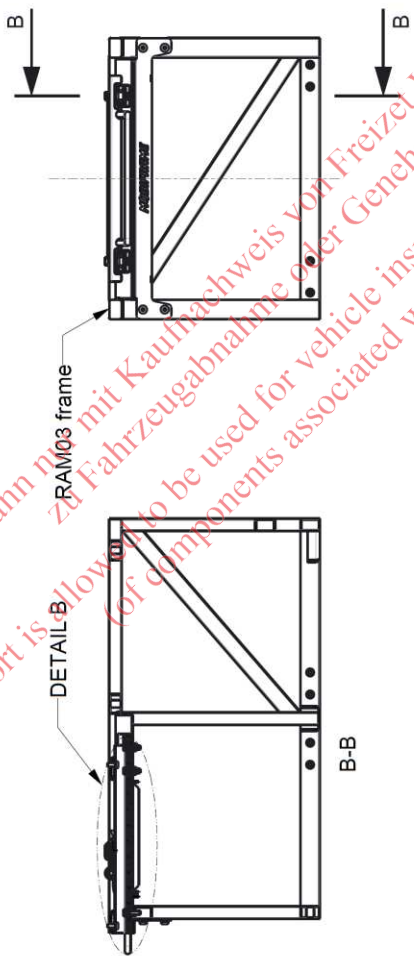
Date / Date
13-Sep-22
Arkus / Sheet
2/3

Kreiert / Drawn by
K. Trzyna
Zatwierdzony / Approved by
P. Odziejmek

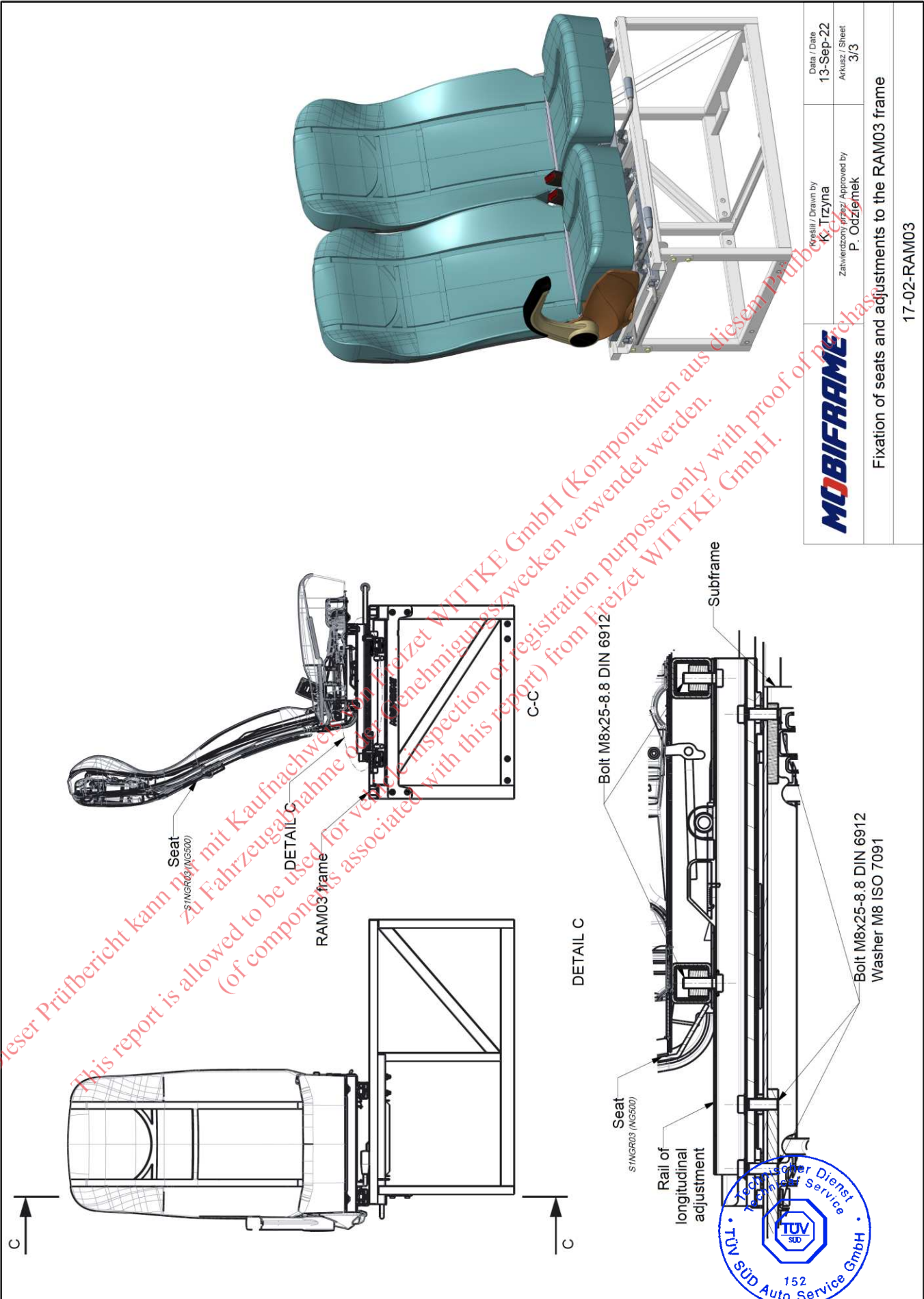


Fixation of seats and adjustments to the RAM03 frame

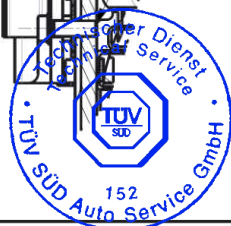
17-02-RAM03



Dieser Prüfbericht kann nur mit Kaufnachweis von Freizeit WITTKE GmbH (Komponenten aus diesem Prüfbericht dürfen ohne schriftlichen Nachweis von Freizeit WITTKE GmbH für andere Zwecke verwendet werden.)
 This report is allowed to be used for vehicle inspection or registration purposes only with proof of purchase from Freizeit WITTKE GmbH. (for components associated with this report)



	Kreslí / Drawn by K. Trzyna	Date / Date 13-Sep-22
	Zatwierdzony przez / Approved by P. Oczerniak	Arkusz / Sheet 3/3
Fixation of seats and adjustments to the RAM03 frame		
17-02-RAM03		



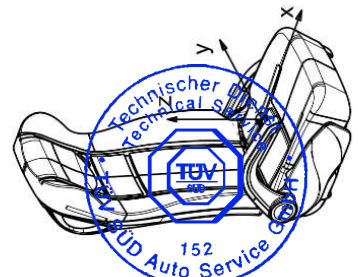
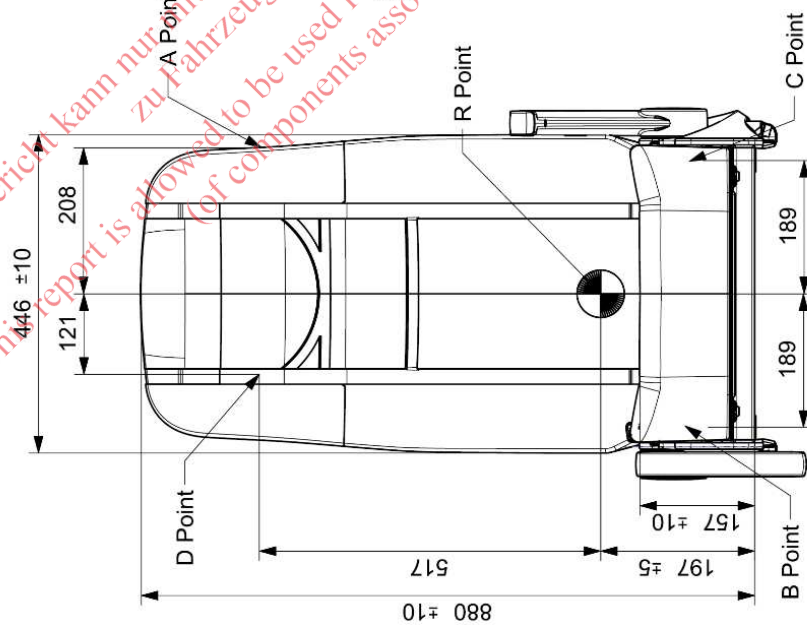
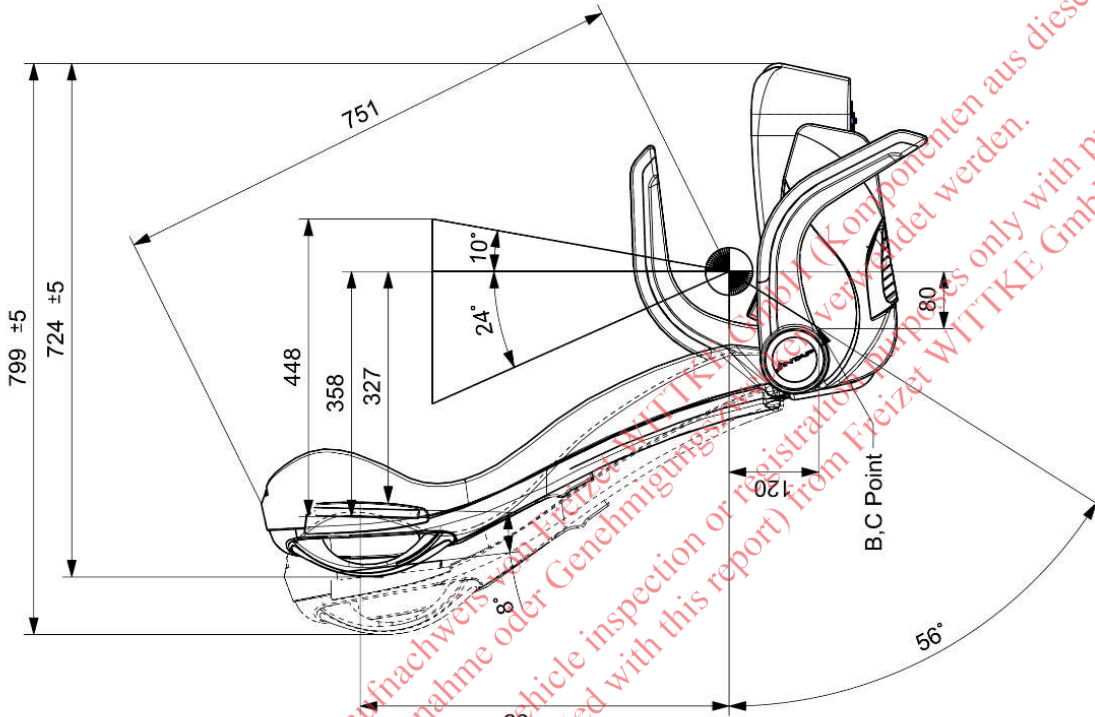
PILLAR LOOP	
Ax	-358 mm
Ay	±208 mm
Az	525 mm

BUCKLE	
Bx	-80 mm
By	±189 mm
Bz	-120 mm
αB	56°

END BRACKET	
Cx	-80 mm
Cy	±189 mm
Cz	-120 mm
αC	56°

RETRACTOR	
Dx	-327 mm
Dy	±121 mm
Dz	517 mm

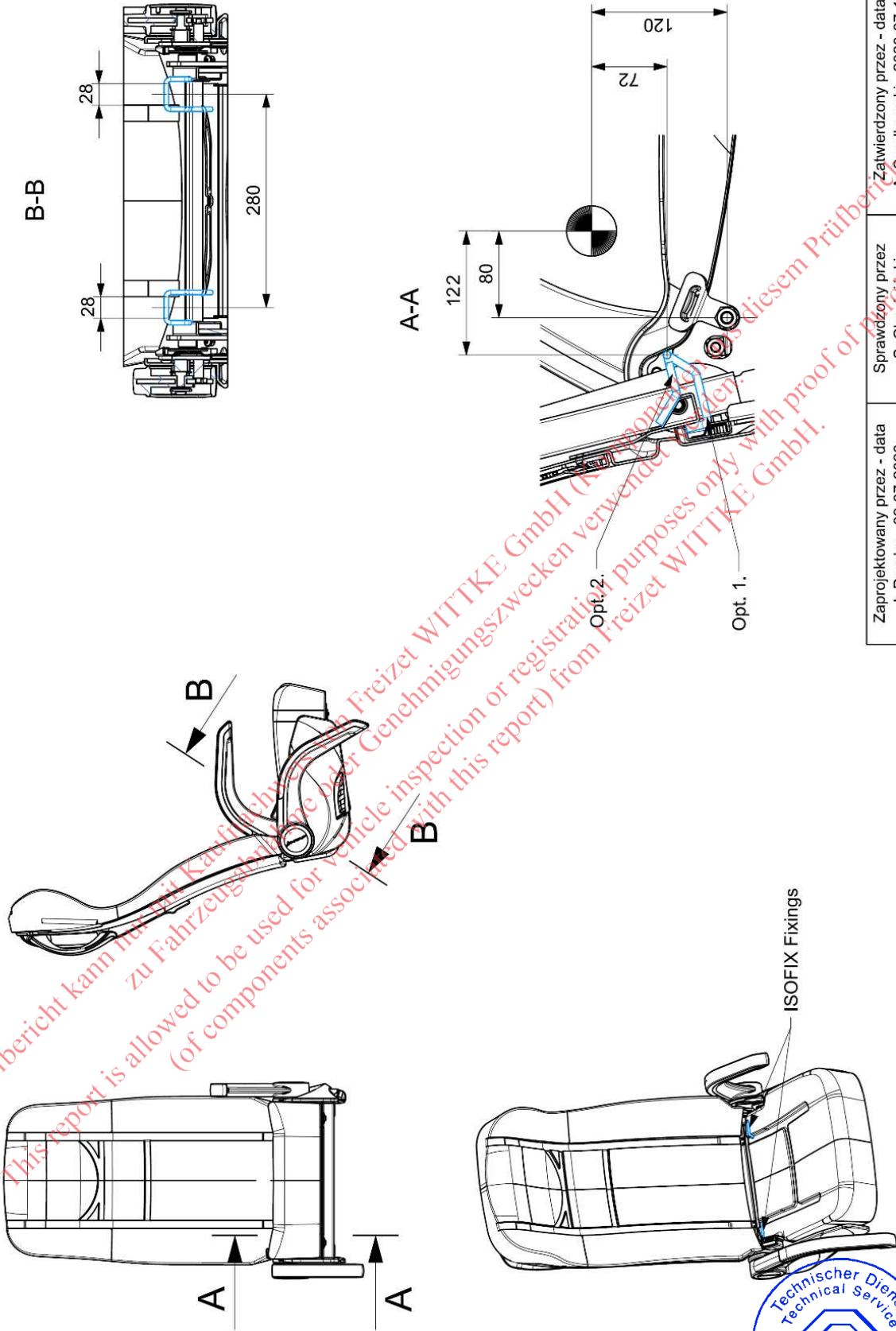
R POINT	
Rx	0 mm
Ry	0 mm
Rz	0 mm




Zaprojektowany przez - data L.Dumka - 09-07-2020	Sprawdzony przez S. Chruściński	Zatwierdzony przez - data A. Szadkowski - 2020-07-16	Masa -
NG500 R-point			Material
H015-S1NGR03			Arkusz 1 z 3



ISOFIX points locations



Zaprojektowany przez - data Ł. Dumka - 09-07-2020	Sprawdzony przez S. Chrusciński	Zatwierdzony przez - data A. Szadkowski - 2020-07-16	Masa -
NG500 - ISOFIX points location			Material -
			Arkusz 3 z 3
H001-S1NGR05			



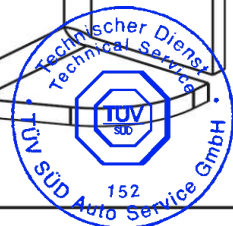
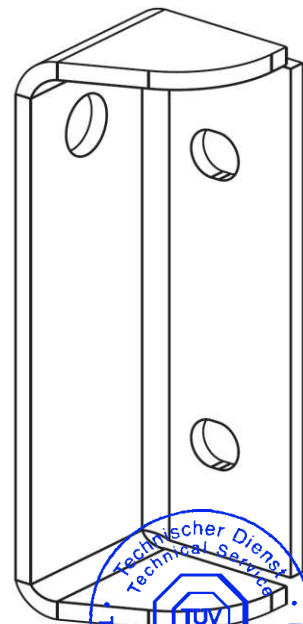
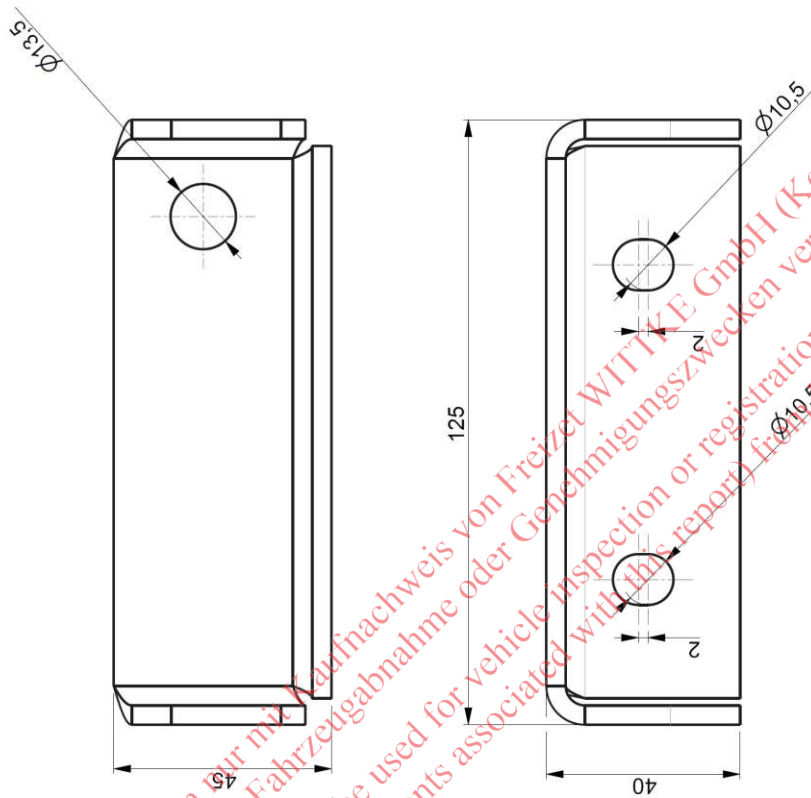
RAM03 – removable fixation elements (fixation details and applicability – see Enclosure 2):

(see next pages)

*Dieser Prüfbericht kann nur mit Kaufnachweis von Freizet WITTKÉ GmbH (Komponenten aus diesem Prüfbericht)
zu Fahrzeugabnahme oder Genehmigungszwecken verwendet werden.
This report is allowed to be used for vehicle inspection or registration purposes only with proof of purchase
(of components associated with this report) from Freizet WITTKÉ GmbH.*

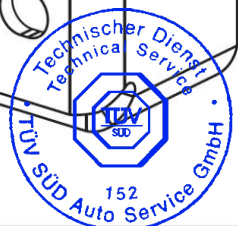
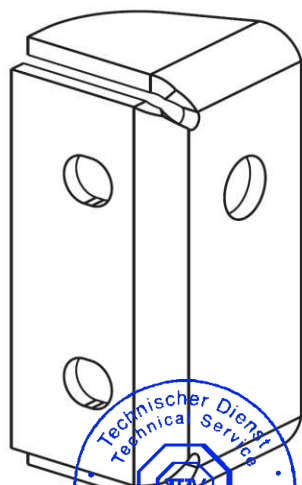
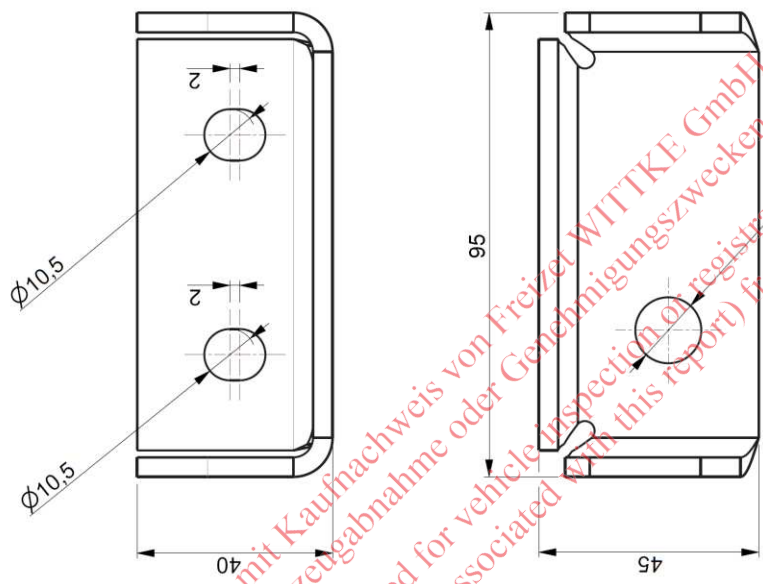


MOBIFRAME		Date: 16.09.2022
	MOBIFRAME/04/2022-00	Page / pages: 97/109



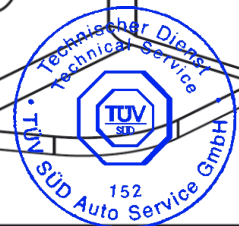
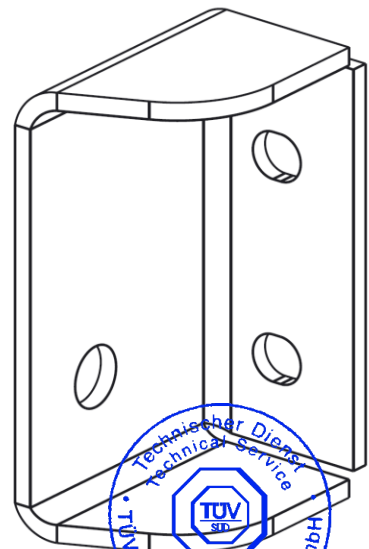
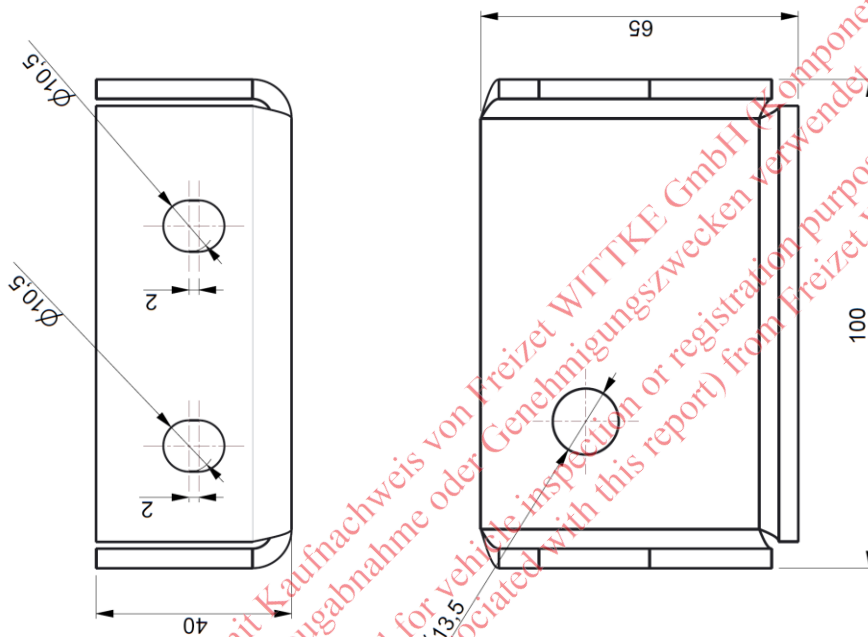
	Kresli / Drawn by K. Trzyna	Data / Date 27-Sep-22
	Zatwierdzony przez / Approved by P. Odziejmek	Arkusz / Sheet 1/1
Fixation element		
REN00016A		

Dieser Prüfbericht kann nur mit Kaufnachweis von Freizeit WITKE GmbH (Komponenten aus diesem Prüfbericht) zu Fahrzeugabnahme oder Genehmigungszwecken verwendet werden.
 This report is allowed to be used for vehicle inspection or registration purposes only with proof of purchase (of components associated with this report) from Freizeit WITKE GmbH.



MOBIFRAME	Krebill / Drawn by K. Trzyna	Date / Date 27-Sep-22
	Zahlreicherzy piągr / Approved by P. Odziemek	Arkusz / Sheet 1/1
Fixation element		
REN00035A		

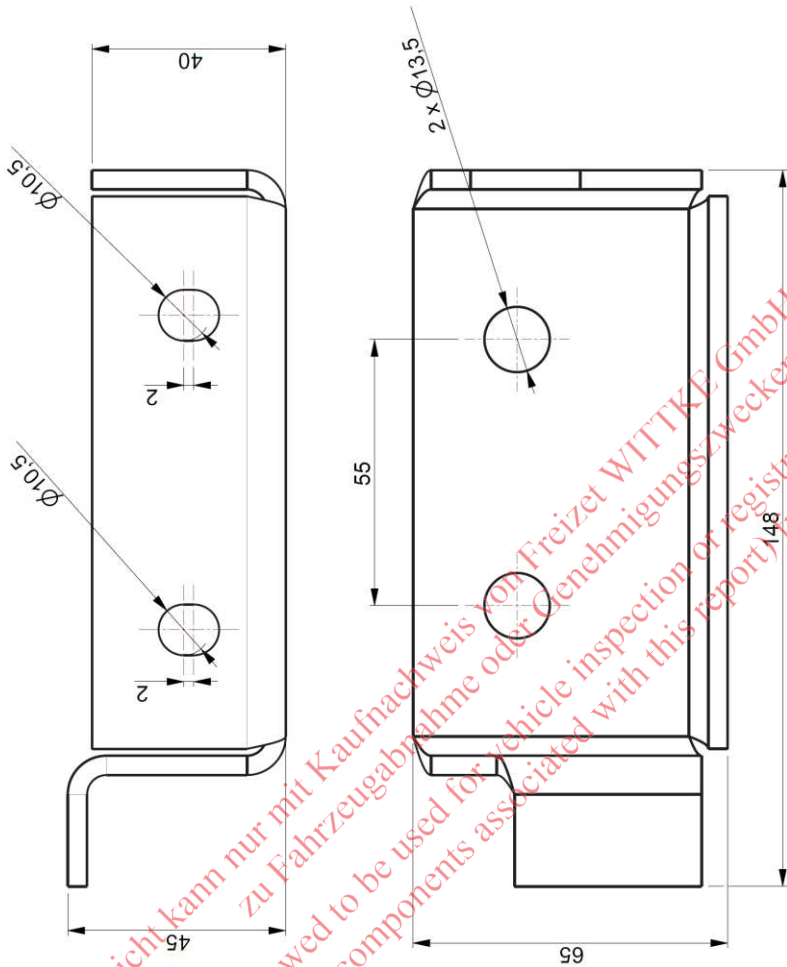
Dieser Prüfbericht kann nur mit Kaufnachweis von Freizet WITTIKE GmbH (Komponenten aus diesem Prüfbericht) zu Fahrzeugabnahme oder Genehmigungszwecken verwendet werden.
 This report is allowed to be used for vehicle inspection or registration purposes only with proof of purchase (of components associated with this report) from Freizet WITTIKE GmbH.



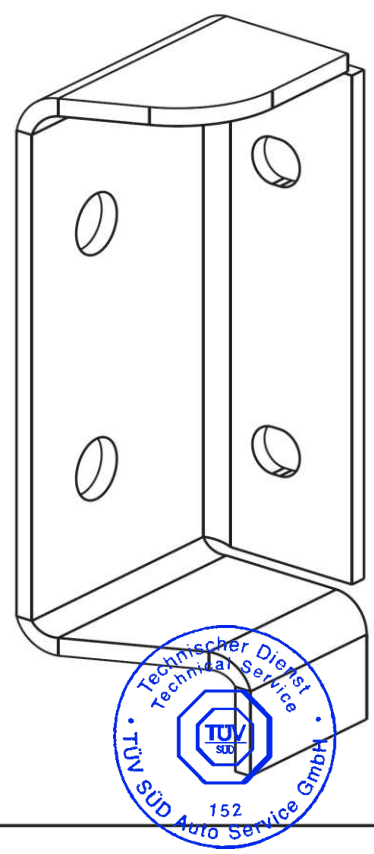
MOBIFRAME	Kreslil / Drawn by K. Trzyna	Data / Date 27-Sep-22
	Zatvorený prípad / Approved by P. Odríemek	Arkus / Sheet 1/1
Fixation element		
REN00036A		

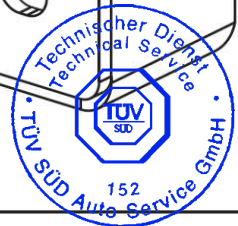
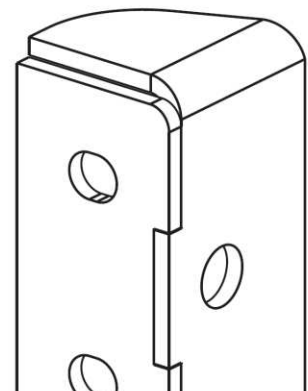
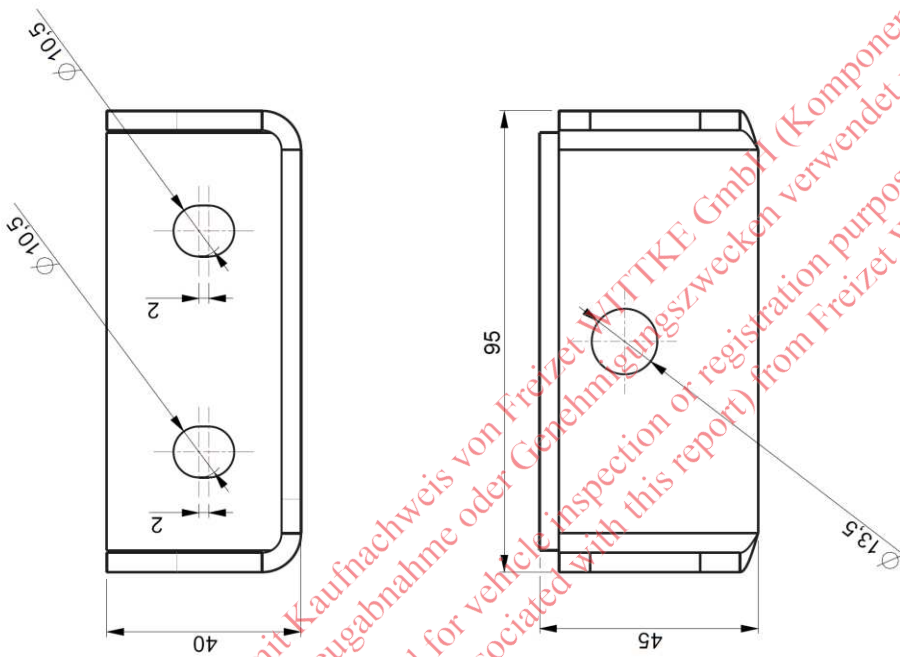
Dieser Prüfbericht kann nur mit Kaufnachweis von Freizeit WITTIKE GmbH (of components associated with this report) from Freizeit WITTIKE GmbH.
 This report is allowed to be used for vehicle inspection or registration purposes only with proof of purchase.
 zu Fahrzeugabnahme oder Genehmigungszwecken verwendet werden.

	Kreiert / Drawn by K. Trzyna	Date / Date 27-Sep-22
	Zahwierzchołony / Approved by P. Odziemek	Arkusz / Sheet 1/1
Fixation element		
REN00037A		



Dieser Prüfbericht kann nur mit Kaufnachweis von Freizet WITTKE GmbH (Komponenten aus diesem Prüfbericht) zu Fahrzeugabnahme oder Genehmigungsverfahren verwendet werden.
 This report is allowed to be used for vehicle inspection or registration purposes only with proof of purchase (of components associated with this report) from Freizet WITTKE GmbH.





	Kreiert/ Drawn by K. Trzyna	Data / Date 21-Sep-22
	Zahrgesetz / Issued / Approved by P. Odziemek	Arbeitsz. / Sheet 1/1
Fixation element		
REN10018A		

Dieser Prüfbericht kann nur mit Kaufnachweis von Freizeit WITTIKE GmbH (Komponenten aus diesem Prüfbericht) zu Fahrzeugabnahme oder Genehmigungszwecken verwendet werden.
 This report is allowed to be used for vehicle inspection of registration purposes only with proof of purchase (of components associated with this report) from Freizeit WITTIKE GmbH.

Enclosure 4: ADHESIVES FOR FIXATION PLATE



Technical Data Sheet

Dow Automotive

BETACLEAN 3350

Description / Application:

BETACLEAN 3350 is a cleaner for removing dirt and grease from plastics, paints and glass

All Dow Automotive products are primarily developed in co-ordination with the automobile manufacturers, according to their needs and their specifications; they are approved for the specific applications as defined by the customer.

The use of the product other than approved application have to be released in writing by the Technical Service of Dow Automotive.

Technical Data:

Basis	Heptane
Colour	Colourless, transparent
Density	0,68 g/cm ³ at 23°C
Flash point	34°C
Instructions for use	Wipe contaminated surface with BETACLEAN 3350 saturated, binder-free tissues or cloths. Preliminary trials carried out by our technical service department are recommended.
Shelf life	12 months in unopened containers
Containers	100, 250, 1000ml aluminium containers
Protection measures	See health and safety data sheet.

DOW AUTOMOTIVE Quality Management

Quality is our highest priority. Dow Automotive works with a highly modern Quality Management System which meets all international requirements of QS 9000, VDA-6 and ISO 9001.

Dow Automotive AG
CH-8807 Freienbach
Tel. +41(0)55416 81 11
Fax +41(0)55416 82 20

Dow Automotive (Deutschland) GmbH
D-35683 Dillenburg
Tel. +49(0)2771 8 71 40
Fax +49(0)2771 87 14 70

Dow Automotive (Italia) S.r.l
I-20010 Bareggio (MI)
Tel. +39(0)2 90 36 11 66
Fax +39(0)2 90 27 66 98

Dow Automotive (España) S.A.
E-28916 Camarma de Esteruelas (Madrid)
Tel. +34 (9)1 886 61 43
Fax +34 (9)1 885 75 60

Dow Automotive (France) S.A.
F-60130 Saint-Just en chaussee
Tel. +33(0) 3 44 77 61 00
Fax. +33(0) 3 44 77 61 61

Dow Automotive (UK) Ltd.
GB-Nuneaton-Warwickshire CV10 7QT
Tel. +44 (0) 24 7635 72 00
Fax. +44 (0) 24 7635 72 57

Dow Automotive AG, Techn. Datasheet, BETACLEAN, Status terminated, Issue 01, 1.2.96, D-19/sr, Page 1



MOBIFRAME

MOBIFRAME/04/2022-00

Date: 16.09.2022

Page / pages: 103/109



BETAPRIME 5061

Description / Application:

One-Step adhesion promoter for glass, ceramic serigraphy in combination with BETASEAL and BETAMATE PUR Adhesives. A prior cleaning of the bonding surface with BETACLEAN 3300 is necessary.

All Dow Automotive products are primarily developed in co-operation with the automobile manufacturers, according to their needs and their specifications; they are approved for the specific applications as defined by the customer.

The use of the product other than approved application have to be released in written form by the Technical Service of Dow Automotive.

Technical Data:

Basis	Silane modified polymers
Colour	black
Pigments	carbon black
Density	approx. 0.97 g/cm ³ bei 23°C
Viscosity (DIN-cup 4)	< 14 s bei 23°C
Flash Point	See health and safety data sheet.
Processing temperature	ideal 10 - 40°C
Tack free time	50 - 150 sec @ 23°C / 50 % r.h.
Evaporation time	min. 10 min @ 23°C / 50 % r.h., max. 8h Reactivation with BP 5061 or BW 4001, 4002 possible.
Instruction for use	Shake container well before opening. Continue to shake for at least 60s after steel balls inside the container are released. Caution! The product is extremely hygroscopic! Close container immediately after use to preserve remaining contents. Use up remainder within a few days.
Bonding surface preparation	Clean bonding areas with the BETACLEAN 3300. Verify compatibility or consult our technical service department.
Cleaning	Clean Equipment with BETACLEAN 3000
Shelf life	9 months in unopened containers (see "use before" date printed on the container)



		Date: 16.09.2022
	MOBIFRAME/04/2022-00	Page / pages: 104/109

Storage once opened

- applicator: single use, do not store
 - 100 ml bottle: 5 days in original container

Storage

Temperature: 5°C to 25°C
 Short term up to 40°C

Containers

Single use applicator,
 100 ml aluminium bottle

Protection measures

See health and safety data sheet

Dow Automotive quality assurance

Quality is our utmost goal. Dow Automotive works according to a modern quality management system conforming to ISO/TS 16949:2002.

Environment: All sites of Dow Automotive are conforming to ISO 14001:2004.

All statements, technical information and recommendations contained in this document are based on tests that we believe are reliable.

However, the accuracy or completeness of the statements, information and recommendations is not guaranteed, as before using, the user should determine the suitability of the product for user's intended purpose.

This document does not create any liability and all warranties, express or implied, including the implied warranties of merchantability and fitness for a particular purpose are disclaimed. Neither seller nor manufacturer shall be liable either in contract or tort for any loss or damage, direct, incidental, or consequential, arising out of the use and of the inability to use the product. Seller's/manufacturer's only obligation is the replacement of defective product.

Dow France S.A.S
 Z.I. Nord, route d'Amiens
 F-60130 St-Just-en-Chaussée
 Tel. +33 (0) 3 44 77 61 00
 Fax. +33 (0) 3 44 77 61 61

Dow Automotive UK Ltd.
 GB-Nuneaton Warwickshire
 CV107QT
 Tel. +44 (0) 1203 35 72 00
 Fax. +44 (0) 1203 35 72 57

Dow Automotive (Allemagne) GmbH
 Am Kronberger Hang 4
 D- 65824 Schwalbach
 Tel. +49 (0) 6196 566 0
 Fax. +49 (0) 6196 566 444

Dow Automotive (Italie) SRL
 Via Patrolo (Sales office)
 I-20151 Milan
 Tel. +39 (0) 2 48 221
 Fax. +39 (0) 2 48 22 40 66

Dow Automotive (España) S.L.
 C/ Camino del Corral, 7
 E-28816 Camarma de Esteruelas (Madrid)
 Tel. +34 (9) 1886 61 43
 Fax. +34 (9) 1885 75 60

Dow Automotive (Suisse)
 Wolleraustrasse 15-17
 CH-8807 Freienbach
 Tel. +41 (0) 55 416 81 11
 Fax. +41 (0) 55 416 82 20

Dow Automotive (USA)
 1250 Harmon Road
 Auburn Hills, MI - 48326
 Tel. +001 248 391 63 00
 Fax +001 248 391 64 17

Dieser Prüfbericht kann nur mit Kaufnachweis von Freizet WIT (Freizet GmbH) verwendet werden. (Komponenten des diesm Prüfbericht)
 This report is allowed to be used for vehicle inspection or registration purposes only with proof of purchase
 (of components associated with this report) from Freizet WIT (Freizet GmbH).



MOBIFRAME		Date: 16.09.2022
	MOBIFRAME/04/2022-00	Page / pages: 105/109



BETAPRIME™ 5500

Short Description

Adhesion promoting primer for laminated glass with enamel layer inside and enamel substrates. To be used in combination with Dow Automotive Systems PUR-Adhesive/sealants.

Properties

One-step primer which can be used without silane wipe pretreatment. Primer with short open time.

Application

All Dow Automotive products are primarily developed in co-operation with the automobile manufacturers, according to their needs and their specifications, they are approved for the specific applications as defined by the customer. The use of the product other than approved application have to be released in written form by the Technical Service of Dow Automotive.

Technical Data

Unless specified otherwise test are conducted at 23°C/50% relative humidity.

Basis	Polyisocyanates
Colour	black
Pigments	Carbon black
Density	0.901 - 1.001 g/cm ³
Solid contents	35 - 40%
Viscosity DIN-cup 4mm after 3d 40°C	10.5 - 13 s
Minimum open time	3 minutes / felt application
Maximum open time	3 days / felt application
Reactivation:	One time reactivation possible with: BETAWIPE™ VP04604 (wipe-on / wipe off) maximum open time 15 minutes
Processing temperature	10 - 40°C
Processing instructions	Primer bottle needs to be shaken for at least one minute before opening, to release the steel balls within the container. In case steel balls are not dislodged, then it is recommended to strike the top of the container against a hard surface so that the steel balls are audible within the container. This is essential in order to disperse any possible sediment within the primer.
Caution	The product is extremely sensitive to humidity. It is imperative that container should be closed immediately after use, in order to extend durability of the remaining primer contents.
Shelf life	6 months at + 5°C - +25°C in unopened containers.
Shelf life after opening	Depending on ambient conditions and working method: Use following test method to monitor if primer can be further used for one day or if it is non-conformous and has to be disposed of. Daily measurement of viscosity DIN 4 cup: must not exceed 17 seconds.
Bonding Surface Preparation	All bonding surfaces must be free of impurities (dirt, dust, water, oil, grease, release agent and similar contaminants). Verify compatibility before use, or consult our Technical Service for more information.
Processing equipment	Primer applicator, primer application device (flask with primer applicator head and felt) or automatic primer application system.
Cleaning	Clean equipment with BETACLEAN™ 3000
Containers	Aluminium bottles





Health and Safety

The use of bonding agent (primer) is generally harmless and as long as the basic rules for safe handling of chemicals are applied. However, the direct contact of uncured primer to food and food containers shall be avoided. Mandatory are protective measures in order to prevent direct skin contact as well as to avoid solvent inhalation. Proper ventilation should apply when using primers with high volatile content. If any primer is applied in the means of spraying technique, special care should apply in relation to respiration and personal protection in order to prevent aerosol inhalation. Suitable solvent resistant rubber gloves, conventional eye protection as well as appropriate type of respirator mask are essential. In case of direct contact with any primers the skin must be rinsed first with warm water and then cleaned thoroughly with conventional soap. Solvents shall be avoided. For detailed protective measures refer to the material safety data sheets.

Dow Automotive Systems Quality Assurance

Quality is our utmost goal. Dow Automotive works according to a modern quality management system conforming to ISO/TS 16949. Environment: All sites of Dow Automotive are conforming to ISO 14001. All statements, technical information and recommendations contained in this document are based on tests that we believe are reliable. However, the accuracy or completeness of the statements, information and recommendations is not guaranteed, as before using, the user should determine the suitability of the product for user's intended purpose.

This document does not create any liability and all warranties, express or implied, including the implied warranties of merchantability and fitness for a particular purpose are disclaimed. Neither seller nor manufacturer shall be liable either in contract or tort for any loss or damage, direct, incidental, or consequential, arising out of the use and or the inability to use the product. Seller's/manufacturer's only obligation is the replacement of defective product.

Dow Automotive Systems Main Offices

Table with 4 columns: The Dow Chemical Company Customer Information Group Europe, Dow Automotive Systems World Head Quarter, Dow Automotive Systems (Germany), Dow Automotive Systems (Switzerland), Dow Automotive Systems (Spain), Dow Automotive Systems (France), Dow Automotive Systems (Italy).

NOTICE: No freedom from any patent owned by Dow or others is to be inferred. Because use conditions and applicable laws may differ from one location to another and may change over time, the Customer is responsible for determining whether products and the information in this document are appropriate for the Customer's use and for ensuring that the Customer's workplace and disposal practices are in compliance with the applicable laws and other governmental enactments. Dow assumes no obligations or liability for the information in this document. No warranties are given. Dow Automotive Systems is a business unit of The Dow Chemical Company.



**Dow Automotive**

BETAMATE 7120

Description / Application:

Single-component, high-viscosity, atmospheric humidity-curing polyurethane bonding/sealing compound for high-strength, permanently elastic adhesive joints.

This material is used in the direct glazing process of the automotive industry in combination with glass-primer and wipe and paint primer. It is also suitable for bonding certain plastic parts in conjunction with the plastic primer BETAPRIME 5404 and/or a specific pretreatment according to prior test results.

All Dow Automotive products are primarily developed in co-ordination with the automobile manufacturers, according to their needs and their specifications; they are approved for the specific applications as defined by the customer.

The use of the product other than approved application have to be released in writing by the Technical Service of Dow Automotive.

Technical Data:

Basis	polyurethane prepolymers
Colour	black
Density	ca. 1.23 g/cm ³ at 23°C
Solid contents	> 98%
Viscosity (Extrusion, Ballan 4 mm nozzle, 4 bar)	pasty, pumpable 12 - 18 g/min at 23°C
Flash point	> 100°C
Processing temperature	10 - 40°C
Open time	max. 15 min at 23°C/50% rh primerless
Sagging behavior	very good, non-sagging
Tack-free time	approx. 30 min at 23°C/50% rh
Cure rate	> 4 mm in 48 h at 23°C/50%rh
Tensile strength (DIN 53 504)	9 ± 1 MPa
Elongation at break (DIN 53 504)	> 500%
Lap shear resistance (EN 1465)	min. 5 MPa (height of adhesive layer: 2mm) 23°C/50% rh,
Resistance to tear propagation (DIN 53 515)	approx. 15 N/mm
Shore A hardness (DIN 53 505)	60 +/-5
Abrasion resistance	Extremely high

Dow Automotive AG, Techn. Datenblatt, BETAMATE, Status terminated, Ausgabe 03, 27.04.99, D-7/sr, Page 1

**MOBIFRAME**

MOBIFRAME/04/2022-00

Date: 16.09.2022

Page / pages: 108/109

Temperature stability	-40°C to 100°C, for short periods up to 120°C
Resistance to chemicals	Highly resistant to aqueous chemicals, petrol, alcohol and mineral oils. Conditionally resistant to esters, ketones, aromatics and chlorinated hydrocarbons
Bonding surface preparation	All bonding surfaces must be free of dirt, dust, water, oil and grease. In general surfaces should be primed. Verify compatibility or consult our technical service department.
Processing equipment	Cartridges: hand-operated or pneumatic gun with mechanical piston Drums, pails: commercial pumping system with connection to automatic applicator, if required.
Cleaning	Uncured BETAMATE 7120 residues can easily be removed with BETACLEAN 3000 or BETACLEAN 3500. Hardened BETAMATE 7120 residues can only be removed mechanically. Immerse equipment in BETACLEAN 3000.
Shelf life	6 months at +5°C to +25°C in unopened containers. (See "use before" date printed on container).
Containers	300 ml cartridges, cardboard packs of 12 Pails: 22 litres Drums: 200 litres
Protection measures	See health and safety data sheet

Dow Automotive Quality Management

Quality is our highest priority. Gurit-Essex works with a highly modern Quality Management System which meets all international requirements of QS 9000, VDA-6 and ISO 9001.

Dow Automotive AG
CH-8807 Freienbach
Tel. +41(0)55416 81 11
Fax +41(0)55416 82 20

Dow Automotive (Deutschland) GmbH
D-35683 Dillenburg
Tel. +49(0)2771 8 71 40
Fax +49(0)2771 87 14 70

Dow Automotive (Italia) S.r.l.
I-20010 Bazziglio (MI)
Tel. +39(0)2 30 36 11 66
Fax +39(0)2 30 27 66 98

Dow Automotive (España) S.A.
E-28816 Camarma de Esteruelas (Madrid)
Tel. +34 (9)1 888 61 43
Fax +34 (9)1 885 75 60

Dow Automotive (France) S.A.
F-60130 Saint-Just en chaussee
Tel. +33(0) 3 44 77 61 00
Fax. +33(0) 3 44 77 61 61

Dow Automotive (UK) Ltd.
GB-Nuneaton-Warwickshire CV10 7QT
Tel. +44 (0) 24 7635 72 00
Fax. +44 (0) 24 7635 72 57



MOBIFRAME		Date: 16.09.2022
	MOBIFRAME/04/2022-00	Page / pages: 109/109